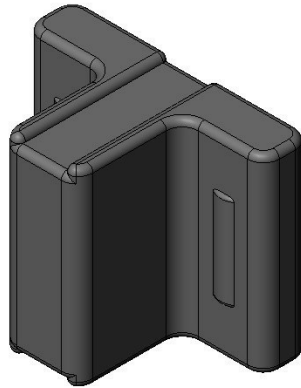


KN06-KEY

Product Details



Features

Rectangular Multi-pole Modular Hybrid Connector, Mis-mating prevention key

Part Number	KN06-KEY
Status	Active
Number of Positions	
Connector Type	Mis-mating prevention key
Contact Type	
Applicable Wire Size (AWG)	
PCB Mounting Style	
Connector Size	
Insulator Block Configuration	
(Applicable) Contact Size	
Applicable Wire Insulation Diameter (mm)	
Material	Synthetic resin
Finish	

Applicable Contacts	
Applicable Insulator Part Numbers	
RoHS compliant	10 substances (2011/65/EU, (EU)2015/863)
REACH compliant	224 substances (10/06/2022)
Remarks	

Notice

1. The values specified in this web site are only for reference. The products and their specifications are subject to change without notice. Contact our sales staff for further information before considering or ordering any of our products.

For purchase, a product specification must be agreed upon.

2. Users are requested to provide protection circuits and redundancy circuits to ensure safety of the equipment, and sufficiently review the suitability of JAE's products to the equipment.

3. The products presented in this web site are designed for the uses recommended below.

We strongly suggest you contact our sales staff when considering use of any of the products in any other way than the recommended applications or for a specific use that requires an extremely high reliability.

- (1) Applications that require consultation:

*Please contact us if you are considering use involving a quality assurance program that you specify or that is peculiar to the industry, such as:

Automotive electrical components, train control, telecommunications devices (mainline), traffic light control, electric power, combustion control, fire prevention or security systems, disaster evention equipment, etc.

*We may separately give you our support with a quality assurance program that

you specify, when you think of a use such as :

Aviation or space equipment, submarine repeaters, nuclear power control systems, medical equipment for life support, etc.

(2) Recommended applications include:

* Computers, office appliances, telecommunications devices (terminals, mobile units), measuring equipment, audiovisual equipment, home electric appliances, factory automation equipment, etc