

4

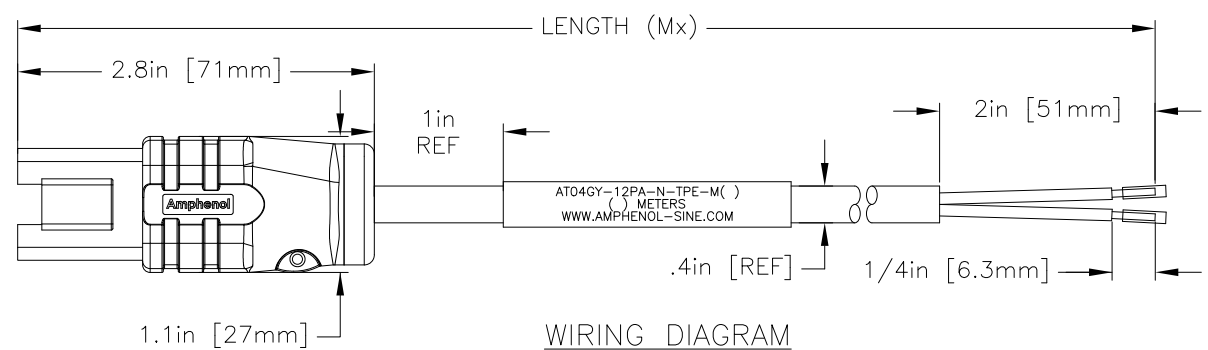
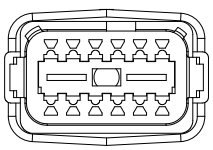
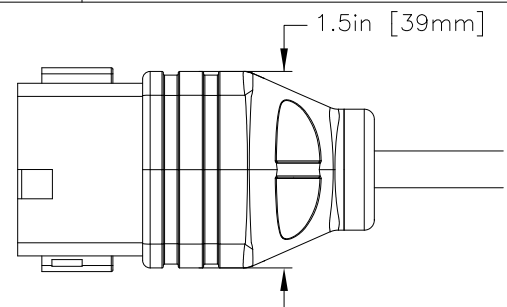
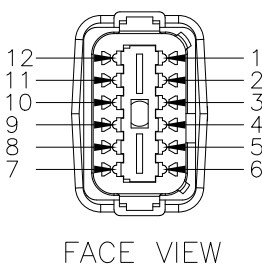
3

2

1

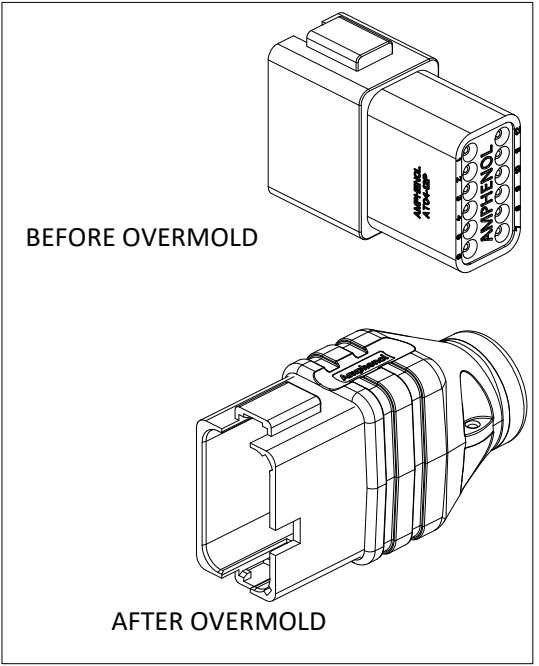
LENGTH TABLE	
PART NUMBER	LENGTH (METERS)
AT04GY-12PA-N-TPE-M1	1 (3.28FT)
AT04GY-12PA-N-TPE-M2	2 (6.56FT)
AT04GY-12PA-N-TPE-M4	4 (13.12FT)
AT04GY-12PA-N-TPE-M5	5 (16.40FT)
AT04GY-12PA-N-TPE-M10	10 (32.80FT)

REVISIONS						
REV	ZONE	ECO	DESCRIPTION	DATE	BY	APPR
A1	-	-	RELEASED	11/27/2020	RO	WS
A2	-	-	ADDED CONTACT + PLATING INFORMATION TO DRAWING	4/20/2022	RO	RO



WIRING DIAGRAM

1	BLACK 18AWG
2	WHITE 18AWG
3	BROWN 18AWG
4	RED 18AWG
5	ORANGE 18AWG
6	YELLOW 18AWG
7	GREEN 18AWG
8	BLUE 18AWG
9	VIOLET 18AWG
10	GRAY 18AWG
11	PINK 18AWG
12	TAN 18AWG



CONNECTOR TYPE  
 AT - Amphenol AT Connector  
 \*PLEASE CONTACT CSR FOR ADDITIONAL AVAILABLE OPTIONS\*

DESIGN  
 04 Male Connector  
 06 Female Connector

POSITIONS  
 2 2 Pin  
 3 3 Pin  
 4 4 Pin  
 6 6 Pin  
 8 8 Pin  
 12 12 Pin

DESIGN  
 S Female Connector  
 P Male Connector

COLORS  
 GY - GRAY  
 BK - BLACK  
 BN - BROWN  
 YL - YELLOW  
 RD - RED  
 GN - GREEN  
 WT - WHITE  
 BL - BLUE  
 ORG - ORANGE

NOTE: 8 & 12 WAY ARE ONLY AVAILABLE IN STANDARD KEY/COLOR CONFIGURATIONS.  
 KEY A - GRAY  
 KEY B - BLACK  
 KEY C - GREEN  
 KEY D - BROWN

CABLE LENGTH (M = METERS)  
 1 = 1M  
 2 = 2M  
 4 = 4M  
 5 = 5M  
 10 = 10M  
 CUSTOM CABLE LENGTH OPTIONS AVAILABLE. CONTACT CSR.

CABLE TYPE  
 TPE - TPE, BLACK

LED/SUPPRESSOR CIRCUIT  
 N - NONE  
 S - LED/SUPPRESSOR DIODE(2POSITION)

NOTES: UNLESS OTHERWISE SPECIFIED

- MATERIAL:  
HOUSING: PA66  
SEAL: SILICONE RUBBER
- MODIFICATIONS: OVERMOLDED
- SPECIFICATIONS:  
3.1 CURRENT RATING: 8AMPS - 300V AC/DC  
3.2 OVERMOLDED ASY OPERATING TEMPERATURE: -40C TO +100C  
3.3 CONTACTS: COPPER ALLOY, NICKEL-PLATED  
3.4 DIELECTRIC WITHSTANDING VOLTAGE: LESS THAN 2 MILLIAMPS CURRENT LEAKAGE @ 1500 VOLTS AC.  
3.5 INSULATION RESISTANCE: 1000 MEGAOHMS MIN @ 25C  
3.6 MOISTURE RESISTANCE: IP68 MATED CONDITION (1M OF WATER FOR 24 HOURS).  
3.7 MATING CYCLE DURABILITY: 100 CYCLES  
3.8 RoHS COMPLIANT

- CABLE SPECIFICATIONS:  
COMPONENTS: TWELVE 18AWG, SRPVC INSULATED CONDUCTORS 41/34 BARE COPPER.  
CONDUCTOR INSULATION: SRPVC (SEE COLOR CODE)  
CABLING: 12 CONDUCTORS CABLED TOGETHER WITH FRPP FILLERS  
BINDER: FLEECE TAPE  
JACKET: TPE, BLACK  
PRINT: AMPHENOL SINE SYSTEMS KA-56764-12 12C 18AWG (UL FILE NUMBER) RU AWM 21270 105C 600V --- (CSA FILE NUMBER) CSA AWM I/II A/B -40C TO +105C 600V FT4  
APPROVALS: AWM 21270, CSA AWM I/II A/B FT4, SUNLIGHT RESISTANT, OIL RESISTANT, MATERIALS ARE ROHS 3 COMPLIANT.
- MATING PART: AT06-12S\* PLUG  
(\* = MODIFICATIONS AND COLORS)
- ALL DIMENSIONS ARE FOR REFERENCE USE ONLY.

QUANTITY	PART NUMBER	DESCRIPTION	ITEM
<b>MATERIALS LIST</b>			
UNLESS OTHERWISE SPECIFIED		SIGNATURES DATE	
1) All dimensions are in metric(mm).		DRAWN: RO	11/15/2020
2) Tolerances are as follows:		CHECKED: WS	1/15/2021
1 PL DEC ±0.30		ENGINEER: RO	
2 PL DEC ±0.15		APPROVAL: WS	1/15/2021
3 PL DEC ±0.08		CUSTOMER:	
3) Note reference =		THIS DRAWING IS SUPPLIED FOR INFORMATION ONLY. DESIGN FEATURES SPECIFICATIONS AND PERFORMANCE DATA SHOWN HEREON ARE THE PROPERTY OF THE AMPHENOL CORPORATION. NO RIGHTS OF REPRODUCTION ARE IMPLIED. ALL DIMENSIONS ARE SUBJECT TO NORMAL MANUFACTURING VARIATIONS.	
MATERIAL SPECIFICATIONS:		12 POSITION RECEPTACLE MOLDED, BLACK TPE, SIZE 16 PIN, SINGLE-ENDED CABLE ASSEMBLY, AMPHENOL AT CONNECTOR AT04-12PA	
PROCESS SPECIFICATIONS:		SIZE	REVISION
NEXT ASSY:		C C-	AT04GY-12PA-N-TPE-Mx A2
		SCALE: NONE	AT04GY-12PA-N-TPE-Mx SHEET 1 OF 1

4

3

2

1