

Personnel Protection

Industrial Shock Block

SB5000 Series



Description

Special-Purpose Ground-Fault Circuit Interrupter (SPGFCI), Class C and Class D

Industrial Shock Block (ISB) is a personnel protection device designed to meet the requirements for special-purpose GFCIs defined by UL 943C. This standard outlines GFCI classes specifically designed for use in industrial facilities. Class C GFCIs are intended to be used on three-phase systems where the line-to-line voltage is 480 V or less with a trip level of 20 mA, while Class D GFCIs are intended to be used on 600 V systems. The Industrial Shock Block includes DFT harmonic filtering, an automatic self-test feature and is compliant to the UL 1998 Software in Programmable Components standard.

Ground-Fault Circuit Interrupter (GFCI), Class A

The Shock Block is available as a 208 V Class A GFCI, allowing commercial kitchens, construction sites, and other non-dwelling units with wet areas to meet NEC 210.8(B) for their three-phase loads up to 60 A.

Equipment Ground-Fault Protective Device (EGFPD)

Industrial Shock Block is also available with adjustable protection settings as an EGFPD. The EGFPD models can be set to trip at 6 mA or from 10–100 mA in increments of 10 mA. This offers more flexibility since GFCI devices are not allowed to have an adjustable trip level.

Ratings and Models

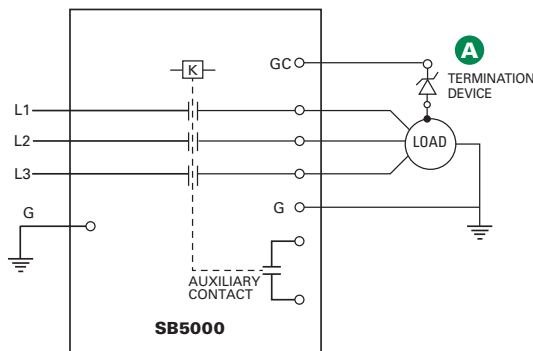
Industrial Shock Block (GFCI & EGFPD) is available for three-phase voltages from 208 to 600 V with a maximum full load current of either 32 or 60 A. The power system can be either solidly or high-resistance grounded and the load must be three phase without a neutral.

The standard enclosure is IP 69K/NEMA 4X and outdoor rated, suitable for all industrial environments including high-temperature washdown used in food production. A Class II, Division 2 option is also available for applications where explosive dust may be present (future option).

Ground Wire (Load-Ground) Monitor

The Industrial Shock Block also monitors the ground wire (load-ground) connection between the Industrial Shock Block and load. This is a required feature for Class C and D GFCI devices and is recommended for Class A GFCI and EGFPD devices. If the ground-return path is broken, the Industrial Shock Block will trip and provide an alarm by changing the state of the alarm contacts. This monitoring circuit includes an extra wire (pilot wire) between the Industrial Shock Block and load. At the load, the pilot wire is connected to a termination device. The other end of the termination device is connected to the load ground (typically the enclosure).

Simplified Circuit Diagram



Features & Benefits

FEATURES	BENEFITS
UL 943 inverse time trip curve	Inverse time detection circuit protects people while also reducing the probability of nuisance tripping
DFT (Discrete Fourier Transform) filtering algorithm	Eliminates nuisance trips due to harmonics
Minimum trip time < 20 msec	Reduces the risk of ventricular fibrillation for leakage current of 250 mA and above
Fixed 6 mA (UL 943) or 20 mA (UL 943C) trip level	UL Listed GFCI and Special-Purpose GFCI personnel protection for industrial and commercial loads up to 60 A
Selectable trip levels (EGFPD)	The settings below 20 mA provide extra safety. The settings above 20 mA can reduce nuisance tripping on systems with high leakage current
Two-stage ground monitor with Zener termination that meets UL 943C, CSA M421	Proactively protects from shock by tripping if continuity of ground wire between Industrial Shock Block and load is broken
Flexible configuration	Selectable manual reset or autoreset for brownout, power up, and ground monitor interruptions to fit plant safety protocols
Conformal coating	Internal PWB is conformally coated to protect against corrosion and moisture
Auxiliary contact	Alerts your SCADA system if the Shock Block is energized or tripped
Automatic self-test	The Shock Block will continuously test itself and will trip if there is an internal failure
GFCI Class A, C, D and EGFPD options in one series	Simplified planning and operator familiarity for multiple applications/requirements

Ordering Information

ORDERING NUMBER	LOAD RATING (A)	VOLTAGE (V)	TRIP LEVEL (MA)	UL CLASS
SB5032-00x-0	32	208	20 (Fixed)	UL 943C Class C SPGFCl
SB5032-20x-0		480		
SB5032-30x-0		600	6, 10–100 in increments of 10 (Selectable)	UL 943C Class D SPGFCl
SB5032-01x-0		208		
SB5032-21x-0		480		
SB5032-31x-0		600		
SB5032-02x-0	208	6 (Fixed)	UL 943 Class A GFCl	
SB5060-00x-0	60	208	20 (Fixed)	UL 943C Class C SPGFCl
SB5060-20x-0		480		
SB5060-30x-0		600	6, 10–100 in increments of 10 (Selectable)	UL 943C Class D SPGFCl
SB5060-01x-0		208		
SB5060-21x-0		480		
SB5060-31x-0		600		
SB5060-02x-0		208	6 (Fixed)	UL 943 Class A GFCl

Note: Replace x with 1 for IP 69K/NEMA 4X Enclosure; replace with 2 to add Class II, Division 2 rating (future option).

Accessories

A **1N5339B - Termination Device**
Axial-lead ground-check termination, included with SB5000 series



SE-TA6 - Termination Assembly
Optional termination assembly with terminals and mounting holes



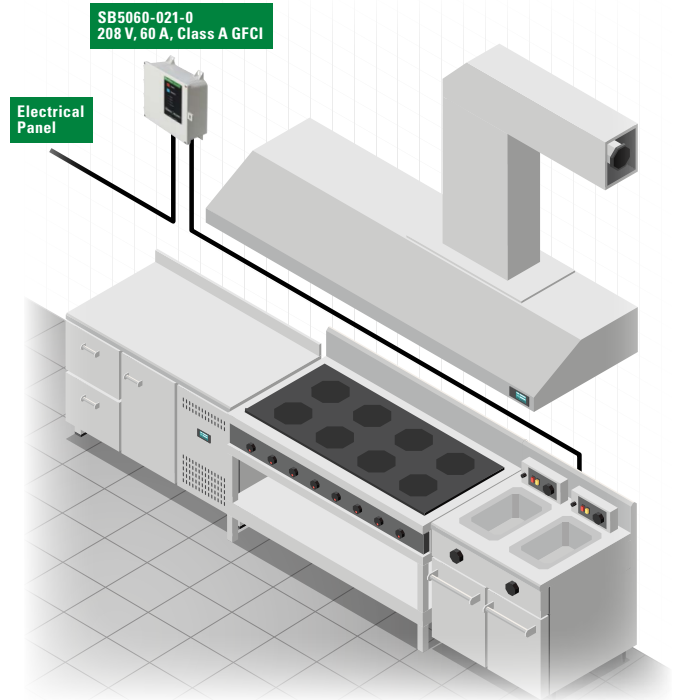
SE-TA6-SM Stud-Mount Termination Assembly
Optional ground-check termination for submersible pumps



SE-TA6ASF-WL Series - Termination Assembly
Compact 12 W ground-check termination assembly

Connection Diagram

The SB5000 is installed in-line between incoming power or existing overcurrent protection device and the load.



Specifications

Voltage Rating	208 V, 480 V, 600 V
Current Rating	32 or 60 A (continuous)
System Type	Three-phase, 3-wire (no neutral), 60 Hz
Short-Circuit Current Rating	10,000 A
Trip Level Settings	Fixed at 6 mA (Class A models) Fixed at 20 mA (Class C/D models) Selectable 6, 10, 20, 30, 40, 50, 60, 70, 80, 90, 100 mA (EGFPD models)
Trip Time Setting	Inverse time curve according to UL 943
Ground Monitoring Circuit	Selectable short or Zener termination; Fail-safe; CSA M421 compliant
Enclosure	IP 69K and NEMA 4X (Outdoor), Polycarbonate, Lockable
Operating Temperature	-35 °C (-31 °F) to 40 °C (104 °F), up to 60 °C (151 °F) with derating
Approvals	cULus Listed Class A GFCl (UL 943) UL Listed Class C, D SPGFCl (UL 943C) cULus Listed EGFPD (UL 943/UL 1053) All models CSA Certified UL 1998
Dimensions	H 285.6 mm (11.25 in.); W 244.4 mm (9.62 in.); D 119.6 mm (4.71 in.)

Disclaimer Notice – Information furnished is believed to be accurate and reliable. However, users should independently evaluate the suitability of and test each product selected for their own applications. Littelfuse products are not designed for, and may not be used in, all applications. Read complete Disclaimer Notice at www.littelfuse.com/product-disclaimer.