

Type LPX-01

In-Line Fuse Holder

Maxi Automotive Blade Fuses

Splashproof Cap



www.optifuse.com

(619) 593-5050

Ratings:

Fuse Type: Maxi Automotive Blade - APX

Electrical Rating:

Rated for current up to 100A for #6 wire

Rated for current up to 80A for #8 wire

Voltage: 32V DC

Body: PVC

Contacts: Brass

Cap: Splashproof Cap

IP Rating: IP65

Standard Wire Sizes: #6 ~ #8AWG

Standard Wire Colors: Black and Red

Standard Body colors: Black

Standard Wire Length: 6 inches

Part number format

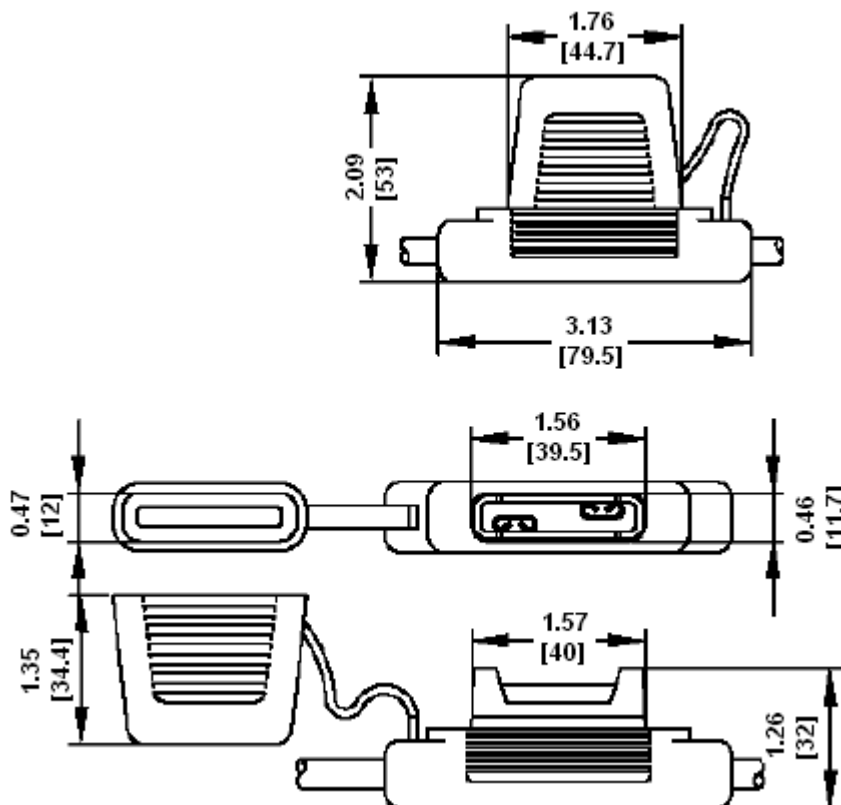
LPX-01B-##Z

where ## = Wire gauge

Z = Wire color

Available in various wire gauges and lengths, and body and wire colors.
Contact factory for those not listed above.

Mechanical Dimensions: Inches [mm]



Warning:



- Operation beyond the specified maximum ratings or improper use may result in damage and possible electrical arcing and/or flame.
- Avoid contact of device with chemical solvent. Prolonged contact may damage the device performance.
- Not designed for prolonged liquid exposure or submersible applications.