

Control kit

General technical data		
product brand name		SIRIUS
product designation		control kit
relative humidity during operation	%	10 ... 90
ambient temperature		
• during transport	°C	-55 ... +80
• during storage	°C	-55 ... +80
• during operation	°C	-20 ... +60
reference code acc. to DIN EN 61346-2		K
Installation/ mounting/ dimensions		
width	mm	44.8
height	mm	40
depth	mm	23.4
Certificates/ approvals		
certificate of suitability		IEC / EN 60947-6-2
General Product Approval	EMC	Declaration of Conformity
		Shipping Approval
		other



[Miscellaneous](#)



[Confirmation](#)

Further information

Information- and Downloadcenter (Catalogs, Brochures,...)

<https://www.siemens.com/ic10>

Industry Mall (Online ordering system)

<https://mall.industry.siemens.com/mall/en/en/Catalog/product?mlfb=3RA6950-0A>

Cax online generator

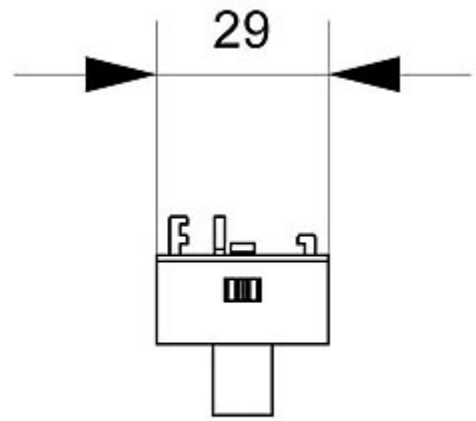
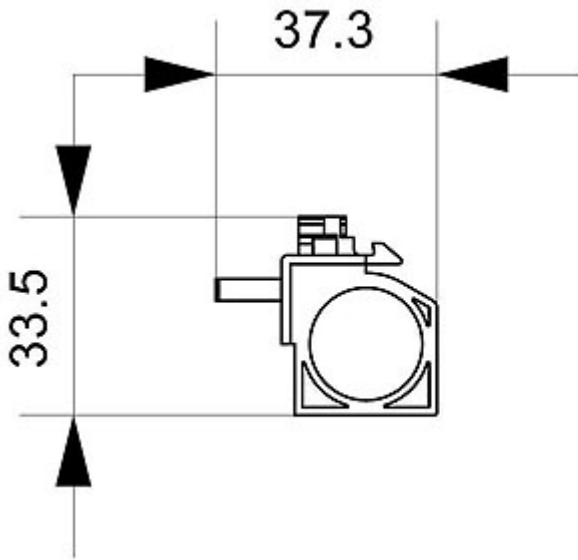
<http://support.automation.siemens.com/WWW/CAXorder/default.aspx?lang=en&mlfb=3RA6950-0A>

Service&Support (Manuals, Certificates, Characteristics, FAQs,...)

<https://support.industry.siemens.com/cs/ww/en/ps/3RA6950-0A>

Image database (product images, 2D dimension drawings, 3D models, device circuit diagrams, EPLAN macros, ...)

http://www.automation.siemens.com/bilddb/cax_de.aspx?mlfb=3RA6950-0A&lang=en



last modified:

11/4/2020 