



**Please note that Cypress is an Infineon Technologies Company.**

The document following this cover page is marked as “Cypress” document as this is the company that originally developed the product. Please note that Infineon will continue to offer the product to new and existing customers as part of the Infineon product portfolio.

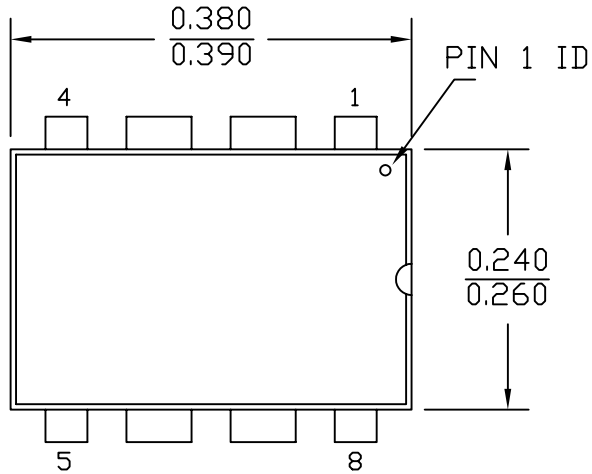
**Continuity of document content**

The fact that Infineon offers the following product as part of the Infineon product portfolio does not lead to any changes to this document. Future revisions will occur when appropriate, and any changes will be set out on the document history page.

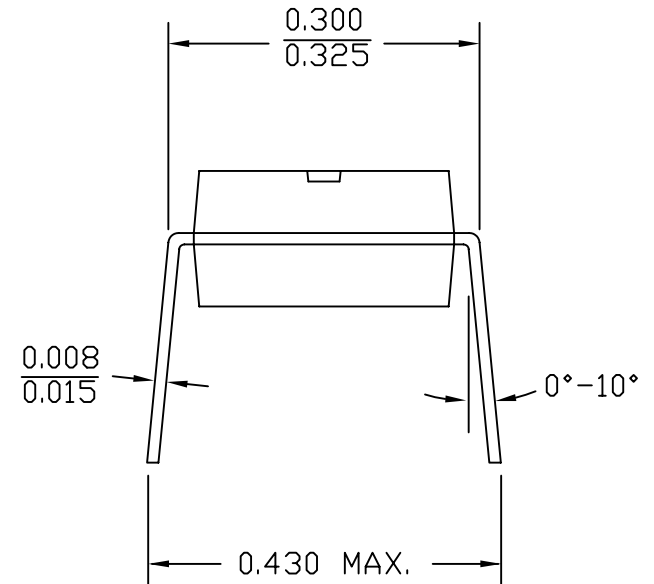
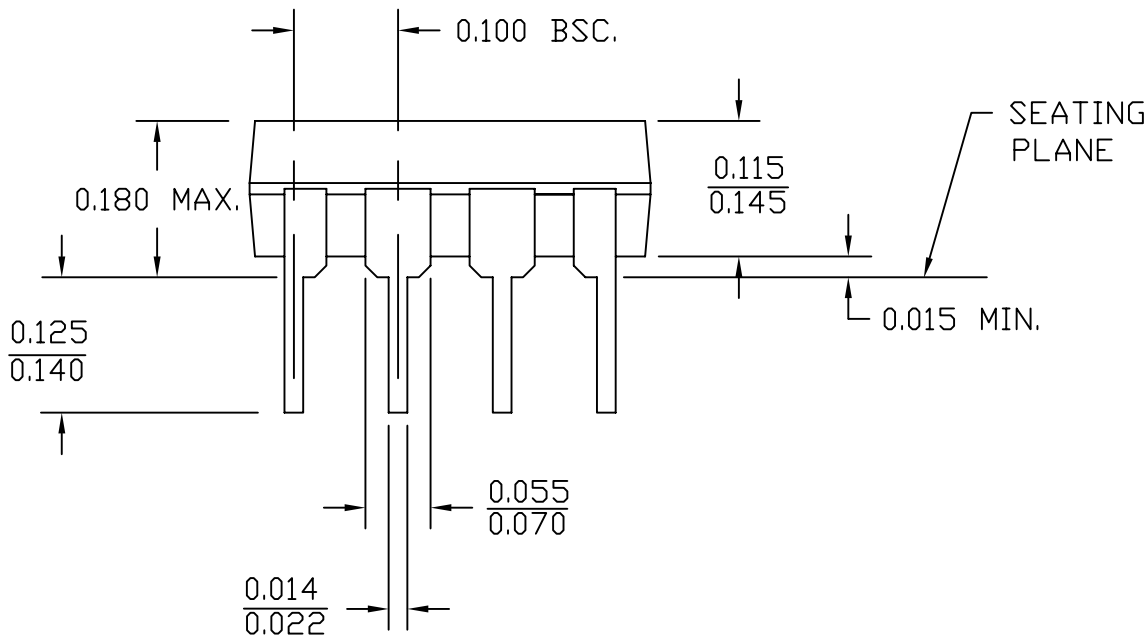
**Continuity of ordering part numbers**

Infineon continues to support existing part numbers. Please continue to use the ordering part numbers listed in the datasheet for ordering.

# 8 Lead (300 Mil) PDIP



DIMENSIONS IN INCHES MIN.  
MAX.



TITLE PACKAGE OUTLINE, 8LD PDIP 300 MILS P08.3

SPEC NO. 51-85075

REV \*D


SCALE

SHEET 1 OF 2

THIS DRAWING CONTAINS INFORMATION WHICH IS THE PROPRIETARY PROPERTY OF CYPRESS SEMICONDUCTOR CORPORATION. THIS DRAWING IS RECEIVED IN CONFIDENCE AND ITS CONTENTS MAY NOT BE DISCLOSED WITHOUT WRITTEN CONSENT OF CYPRESS SEMICONDUCTOR CORPORATION.

PACKAGE CODE(S)

REVISIONS						
PAGE	ZONE	REV	ECN	DESCRIPTION	DATE	APPROVED
1	-	**	1550	NEW RELEASE	04/01/96	N/A
1	-	*A	49422	CHG. TITLE	04/03/97	N/A
1	-	*B	2835564	Changed template, & title from 8LD (300 MIL) PDIP PKG OUTLINE to PACKAGE OUTLINE, 8LD PDIP 300 MILS P08.3.	12/28/09	QAD
1	-	*C	3278498	NO CHANGE. SUNSET REVIEW.	06/09/11	N/A
ALL	-	*D	4598101	SUNSET REVIEW, CHANGED DRAWING TEMPLATE.	12/16/14	QAD

 <b>CYPRESS</b> Company Confidential	
TITLE PACKAGE OUTLINE, 8LD PDIP 300 MILS P08.3	
SPEC NO. 51-85075	REV *D
SCALE	SHEET 2 OF 2

THIS DRAWING CONTAINS INFORMATION WHICH IS THE PROPRIETARY PROPERTY OF CYPRESS SEMICONDUCTOR CORPORATION. THIS DRAWING IS RECEIVED IN CONFIDENCE AND ITS CONTENTS MAY NOT BE DISCLOSED WITHOUT WRITTEN CONSENT OF CYPRESS SEMICONDUCTOR CORPORATION.

PACKAGE CODE(S)

