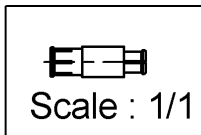
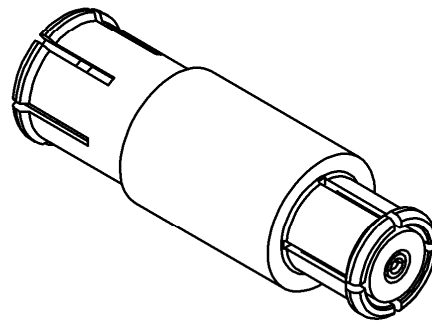
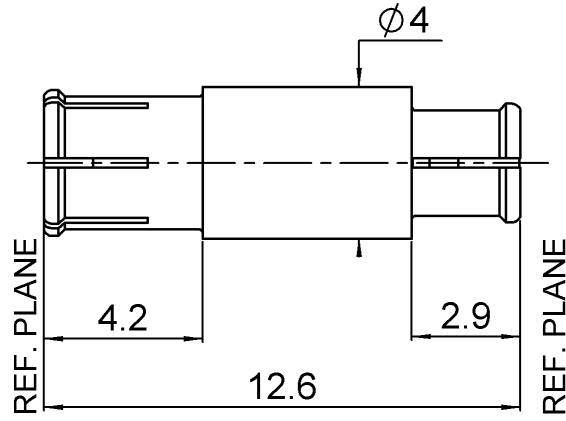


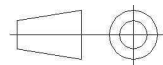
**SMP-MAX FEMALE SLIDE TYPE - SMP FEMALE  
STRAIGHT ADAPTER**

**R191.996.110**

Série : ADAPTER



All dimensions are in mm.



COMPONENTS	MATERIALS	PLATING ( $\mu\text{m}$ )
BODY	BERYLLIUM COPPER	NPGR
CENTER CONTACT	BERYLLIUM COPPER	NPGR
OUTER CONTACT		
INSULATOR	PTFE	
GASKET		
OTHERS PARTS		
-	-	-
-	-	-

Issue : 1107 A

In the effort to improve our products, we reserve the rights to make changes judged to be necessary.



**SMP-MAX FEMALE SLIDE TYPE - SMP FEMALE**

**R191.996.110**

**STRAIGHT ADAPTER**

Série : **ADAPTER**

**PACKAGING**

**SPECIFICATION**

Standard	Unit	Other
<b>100</b>	<b>'W' option</b>	<b>Contact us</b>

**ELECTRICAL CHARACTERISTICS**

**ENVIRONMENTAL**

Impedance	<b>50</b>	$\Omega$
Frequency	<b>0-6</b>	GHz
VSWR	<b>1.25*</b> + <b>0,0000</b>	x F(GHz) Maxi
Insertion loss	<b>0.15*</b>	$\sqrt{F}$ (GHz) dB Maxi
RF leakage	- ( <b>NA</b> )	- F(GHz)) dB Maxi
Voltage rating	<b>335</b>	Veff Maxi
Dielectric withstanding voltage	<b>500</b>	Veff mini
Insulation resistance	<b>5000</b>	M $\Omega$ mini

Operating	<b>-55/+125</b>	$^{\circ}$ C
Hermetic seal	<b>NA</b>	Atm.cm3/s
Panel leakage	<b>NA</b>	

**MECHANICAL CHARACTERISTICS**

**OTHER CHARACTERISTICS**

Center contact retention		
Axial force – Mating end	<b>7</b>	N mini
Axial force – Opposite end	<b>7</b>	N mini
Torque	<b>NA</b>	N.cm mini
Recommended torque		
Mating	<b>SMP-MAX</b>	<b>0</b> N.cm
	<b>SMP-COM</b>	<b>0</b> N.cm
		<b>0</b> N.cm
Panel nut	<b>NA</b>	N.cm
Mating life	<b>100</b>	Cycles mini
Weight	<b>0,6230</b>	g

\*VSWR: up to 3GHz; 3-6GHz,1.35max  
 \*Coaxial Transmission Line Only  
 \*Slide type receptacle+Bullet+Snap type receptacle  
 Typical VSWR(Board to Board connection):  
 0-3GHz, 1.2max  
 Power handling (typical) : >120W@3GHz at 25°C  
 Radial working angle: 3°min  
 Axial working range : 2mm

Issue : **1107**      **A**

In the effort to improve our products, we reserve the rights to make changes judged to be necessary.

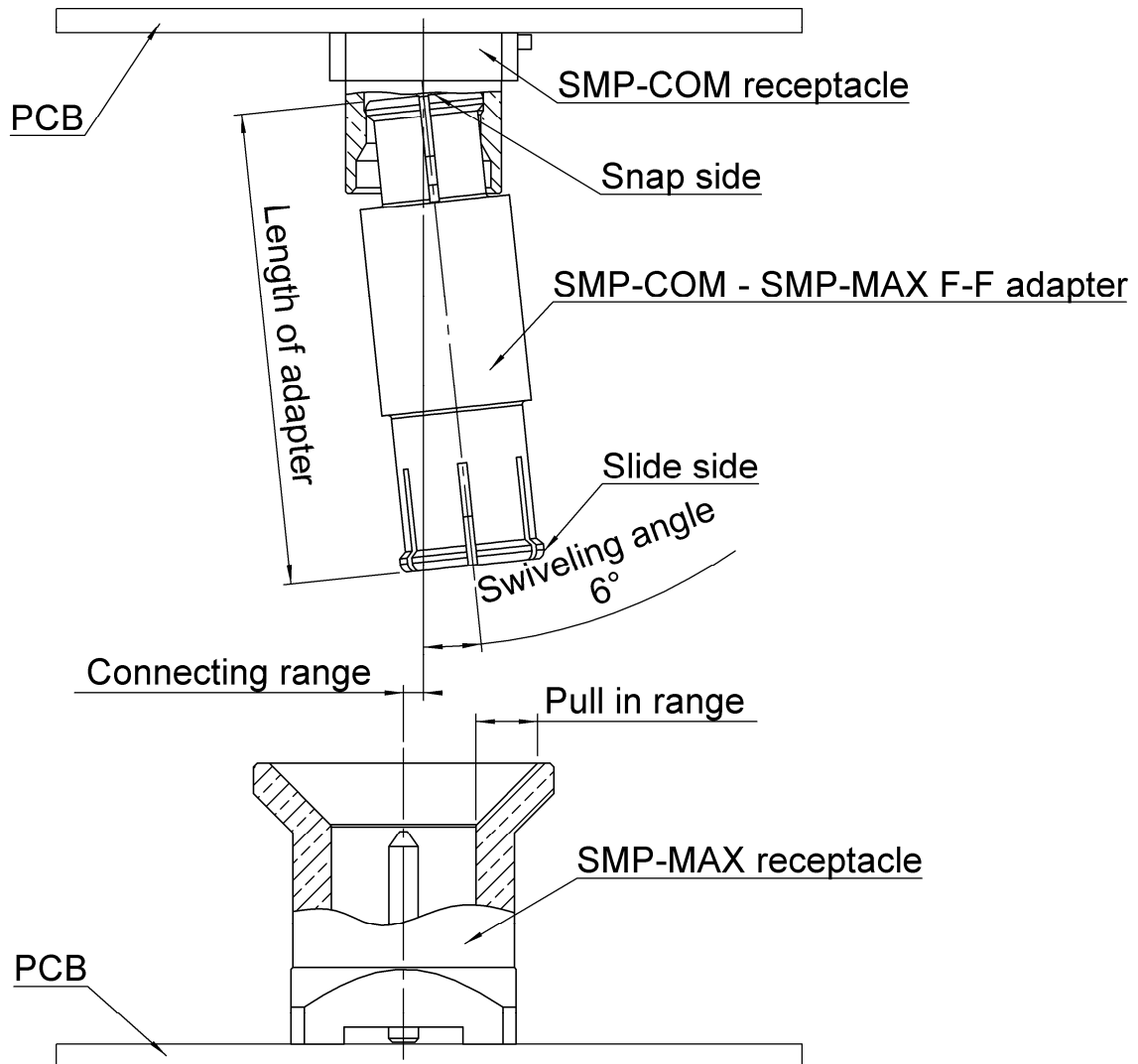


**SMP-MAX FEMALE SLIDE TYPE - SMP FEMALE**  
**STRAIGHT ADAPTER**

**R191.996.110**

Série : ADAPTER

## SMP-MAX connecting range



The connecting range represents the maximum misalignment during connection.

The swiveling angle is the maximum possible angle of the adapter in a snap receptacle.

A blind assembly is guaranteed if radial misalignment is smaller than connecting range. Otherwise a manual lead-in is necessary.

Issue : 1107      A

In the effort to improve our products, we reserve the rights to make changes judged to be necessary.

**RADIALL** 

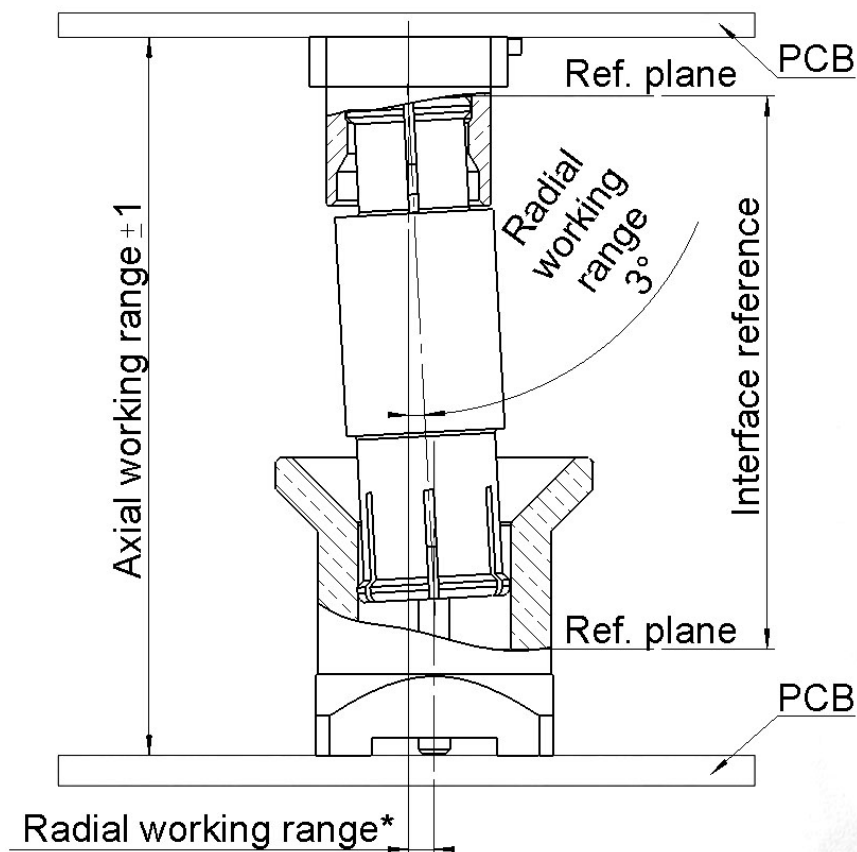
SMP-MAX FEMALE SLIDE TYPE - SMP FEMALE

**R191.996.110**

STRAIGHT ADAPTER

Série : ADAPTER

## SMP-MAX radial and axial working range



Electrical performance is achieved when radial and axial misalignments are within their working ranges.

\* Radial working range = (length of the adapter)\* Sin(radial working angle).

Issue : 1107 A

In the effort to improve our products, we reserve the rights to make changes judged to be necessary.

RADIALL 