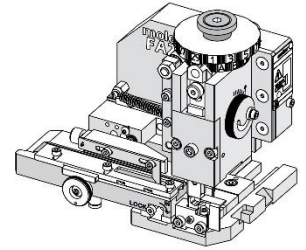


Order Number
213069-0800

molex[®]

Application Tooling Specification



FEATURES

- Applicator designed to industry-standard mounting and 135.80mm (5.346") shut height
- Quick setup time; plus, the crimp height, track and feed adjustments can be set without removing the applicator from the press
- Fine adjustment allows users to achieve target with little effort by adjusting in increments of 0.015mm (.0006") for conductor crimp height and 0.025mm (.001") for insulation height
- Independent adjustment rings allow users to quickly adjust the conductor or insulation crimp height without affecting each other
- Directly adapts to most automatic wire processing machines

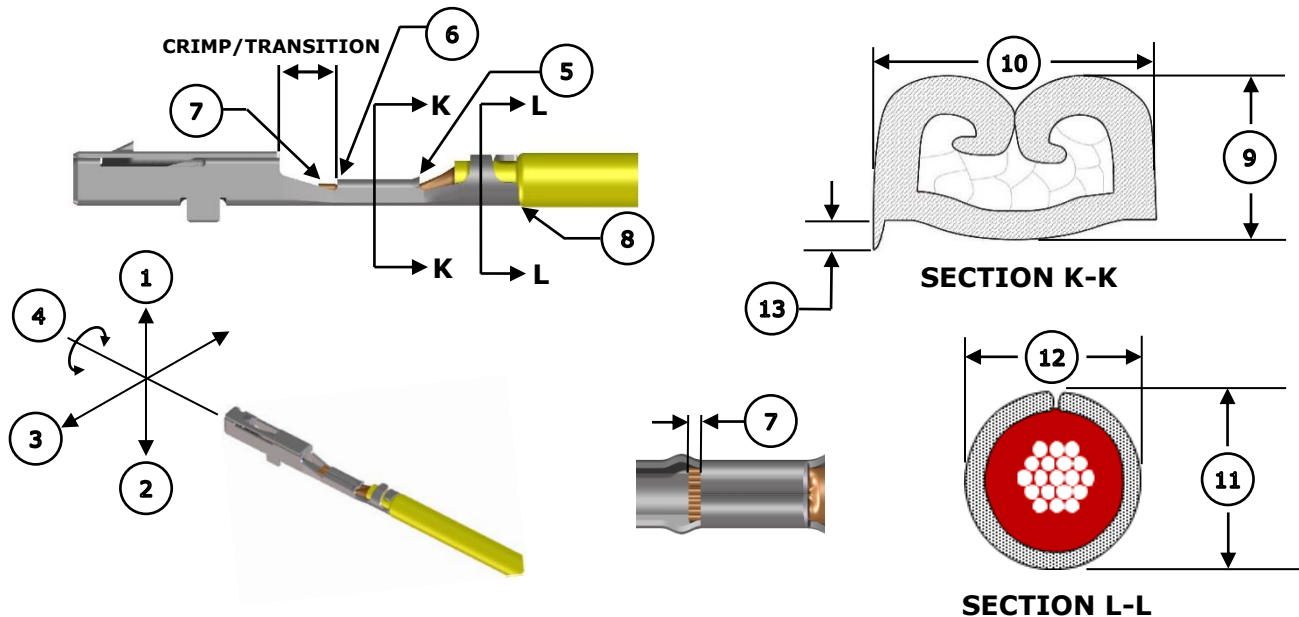
SCOPE

Products: Squba 3.6 Med Receptacle, 18-20 AWG Wire.

Terminal Series No.	Terminal Order No.	Wire		Insulation Diameter		Strip Length	
		Wire Type	Size	mm	In.	mm	In.
207777	207777-0002	UL1007	18 AWG	2.10 max	.083 max	4.00-4.50	.157-.177
		UL1061	18 AWG	1.46 min	.057 min	4.00-4.50	.157-.177
		UL1007	20 AWG	2.10 max	.083 max	4.00-4.50	.157-.177
		UL1061	20 AWG	1.46 min	.057 min	4.00-4.50	.157-.177

CAUTION: Lubrication must be used to prevent terminals from sticking in the conductor punch. Use 63801-7240 oiler or equivalent.

DEFINITION OF TERMS



The above terminal drawing is a generic terminal representation. It is not an image of a terminal listed in the scope.

CRIMP SPECIFICATIONS

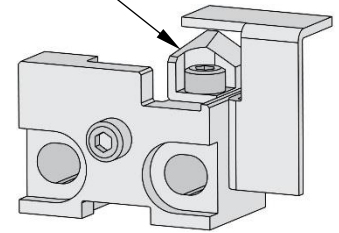
Feature	Requirement					
1. Bend Up	3° Max					
2. Bend Down	3° Max					
3. Twist	3° Max					
4. Roll	3° Max					
5. Bell Mouth Rear	0.30-0.50mm (.012-.020")					
6. Bell Mouth Front	Not Applicable					
7. Conductor Brush	0.30-0.70mm (.012-.028")					
8. Cut-Off Tab	0.20mm (.008") Max					
Conductor Crimp	Wire Type	Wire Size	9. Crimp Height		10. Crimp Width	
	UL1007	18 AWG	1.10-1.20mm	.043-.047 in.	1.40-1.50mm	.055-.059 in.
	UL1061	18 AWG	1.10-1.20mm	.043-.047 in.	1.40-1.50mm	.055-.059 in.
	UL1007	20 AWG	0.98-1.08mm	.039-.043 in.	1.40-1.50mm	.055-.059 in.
Insulation Crimp	Wire Type	Wire Size	11. Crimp Height		12. Crimp Width	
	UL1007	18 AWG	2.20-2.30mm	.087-.091 in.	2.00-2.10mm	.079-.083 in.
	UL1061	18 AWG	2.00-2.10mm	.079-.083 in.	1.95-2.05mm	.077-.081 in.
	UL1007	20 AWG	2.00-2.10mm	.079-.083 in.	1.95-2.05mm	.077-.081 in.
Pull Force	Wire Type	Wire Size	Minimum Force		To be measured with no influence from the insulation crimp.	
	UL1007	18 AWG	89 N	20.0 lb.		
	UL1061	18 AWG	89 N	20.0 lb.		
	UL1007	20 AWG	57.8 N	13.0 lb.		
UL1061	20 AWG	57.8 N	13.0 lb.			
13. Conductor Anvil Flash	0.15mm (.006") Max					

NOTES

Applicator Notes

- This applicator is for automatic wire processor use only.
- This applicator does not include a cutting insert.
- Installing a cutting insert will cause jamming in this applicator.
- Lubrication must be used to prevent terminals from sticking in the conductor punch. Use 63801-7240 oiler or equivalent.

CUTTING INSERT



Specification Notes

- It is very important that the brush length is consistently within specification for this sealed connector system to work properly.
- This applicator should only be run in a properly set up wire processor to consistently achieve the brush length.

General Notes

1. Molex recommends that an extra perishable tooling kit be maintained at your facility.
2. Verify tooling alignment by hand cycling the press and applicator before crimping under power. Check that all screws are tight.
3. Slugs, terminals, dirt and oil should be kept clear of the work area.
4. Wear safety glasses at all times.
5. For recommended maintenance, refer to the FA2 manual (TM-638080200).
6. Molex recommends crimping standard copper wire only.

WARNINGS

CAUTION: This applicator must be installed in a press with a standard shut height of 135.80mm (5.346"). Tooling damage could result at a lower setting.

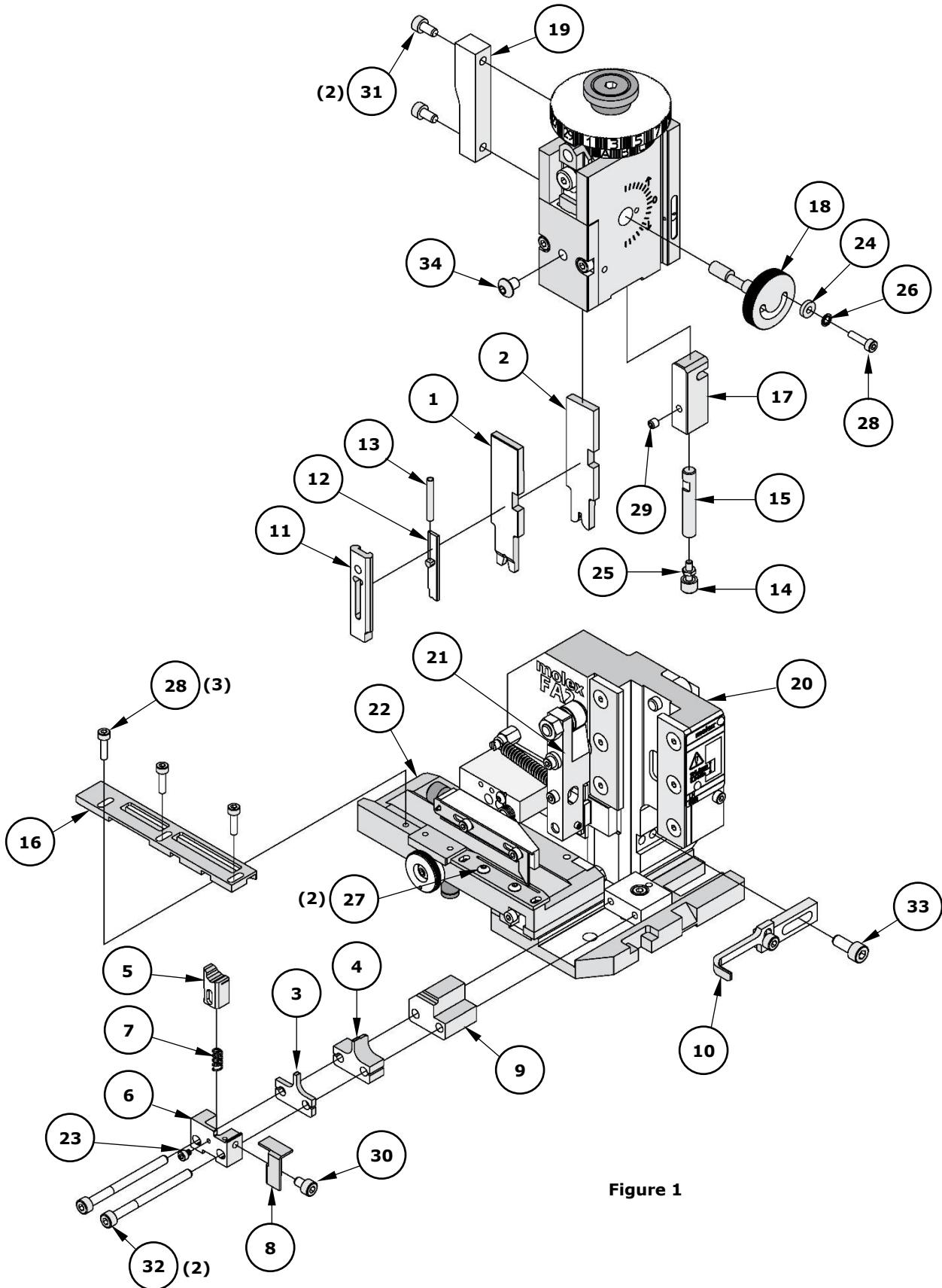
CAUTION: To prevent injury, never operate this applicator without the guards supplied with the press or wire-processing machine in place. Reference the press or wire processing manufacturer's instruction manual.

CAUTION: Molex tooling crimp specifications are valid only when used with Molex terminals and tooling manufactured by Molex and sold by Molex or authorized distributors ("Molex Tooling"). When using tooling other than Molex Tooling with Molex-specific connector systems listed in our ATS documents, the Molex Tooling qualification does not apply, and the responsibility for full qualification of the connector system is that of the customer. Molex accepts no liability for connector performance or tooling support where tooling other than Molex Tooling is used or where Molex Tooling is modified.

PARTS LIST

Applicator 213069-0800				
Item	Order No.	Engineering No.	Description	Quantity
Perishable Tooling				
	213069-0870	213069-0870	Tool Kit (All "Y" Items)	Ref
1	63454-0189	63454-0189	Insulation Punch	1 Y
2	63457-0141	63457-0141	Conductor Punch	1 Y
3	63456-0131	63456-0131	Insulation Anvil	1 Y
4	63455-0182	63455-0182	Conductor Anvil	1 Y
5	63443-0122	63443-0122	Cut-Off Plunger	1 Y
Non-Perishable Components				
6	63443-0118	63443-0118	Front Plunger Retainer	1
7	63700-0992	63700-0992	Cut-Off Plunger Spring	1
8	63443-0117	63443-0117	Front Scrap Chute	1
9	63443-7545	63443-7545	Anvil Mount	1
10	63443-0090	63443-0090	Wire Stop Assembly	1
11	63443-2801	63443-2801	Front Plunger Striker	1
12	63443-2917	63443-2917	Wire Hold Down Plunger	1
13	63600-0021	63600-0021	Wire Hold Down Spring	1
14	63600-5776	63600-5776	Nose Hold Down	1
15	63600-5775	63600-5775	Nose Hold Down Shank	1
16	63443-4724	63443-4724	Terminal Guide	1
17	63443-7403	63443-7403	Hold Down Block	1
18	63808-0229	63808-0229	Bend Adjust Dial	1
19	63808-0297	63808-0297	Feed Cam	1
Frame				
20	63808-0200	63808-0200	Applicator Core	1
21	63808-0197	63808-0197	Mechanical Feed Assembly	1
22	63808-0191	63808-0191	Track Assembly	1
Hardware				
23	—	—	M2.5 x 4 SHCS	1*
24	—	—	M3 Flat Washer Hard	1*
25	—	—	M3 Hex Nut	1*
26	—	—	M3 Inner Tooth Lock Washer	1*
27	—	—	M3 x 6 BHCS	2*
28	—	—	M3 x 12 SHCS	4*
29	—	—	M4 x 5 SSS	1*
30	—	—	M4 x 6 SHCS	1*
31	—	—	M4 x 8 SHCS	2*
32	—	—	M4 x 50 SHCS	2*
33	—	—	M5 x 12 SHCS	1*
34	—	—	#10-32UNF x .25" BHCS	1*
*Fastener parts can be purchased through most industrial suppliers by using the description in the table above.				

ASSEMBLY DRAWING



FACTORY SETTINGS

Feed Pawl Assembly

The FA2 applicator number 213069-0800 ships with the following factory settings. See Figure 2:

- The feed pawl shaft and M3 screw that holds the feed pawl spring are in position 2.
- The pin is in position B.

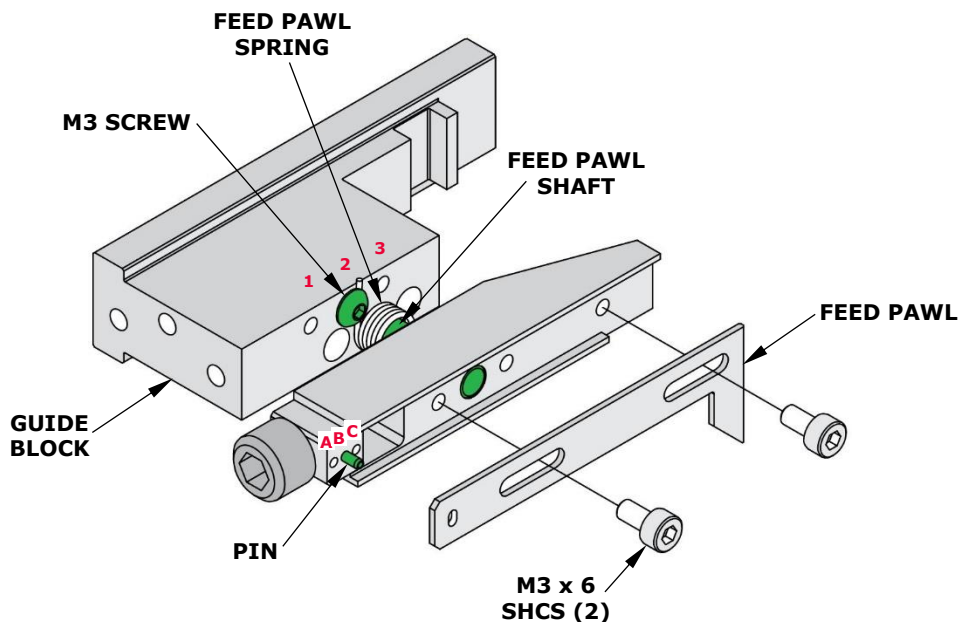


Figure 2

Note: Each applicator is configured and tested by Molex prior to shipping, and the above settings were used to produce the included sample crimps.

Third Dial/Ram Assembly

○ Indicates item number on the Parts List and Assembly Drawing

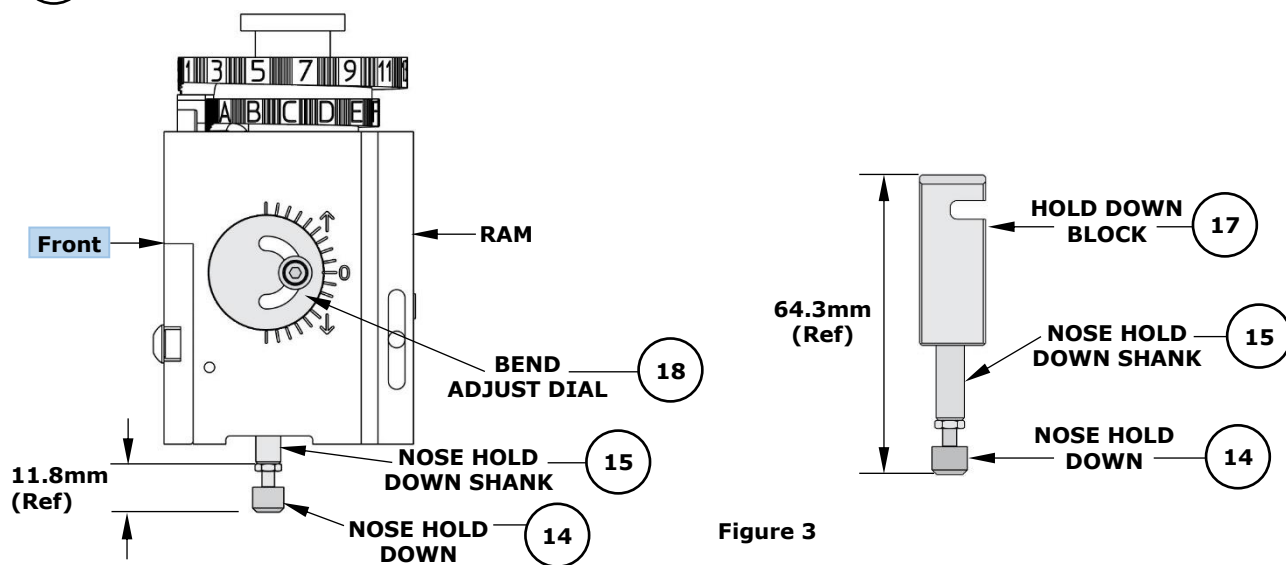


Figure 3

Note: The above dimensions were measured during setup and are included as a reference only. Additional adjustments may be required before crimping for production.

Mounting Datum Location

This applicator was assembled and tested by Molex with the mounting datum in the location shown in Figure 4. Do not remove the mounting datum.

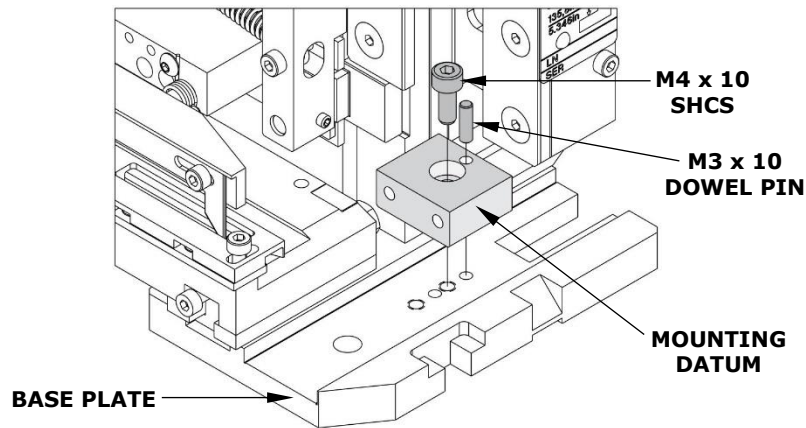


Figure 4

Terminal Guide Position

The terminal guide on this applicator should be positioned so that it is in front of the terminal conductor grips, as shown in Figure 5.

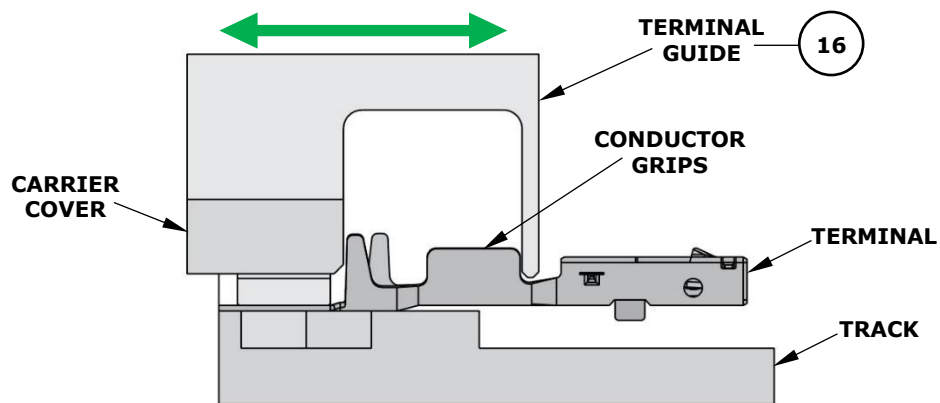


Figure 5

Application Tooling Support

Phone: (402) 458-TOOL (8665)
E-Mail: applicationtooling@molex.com
Website: www.molex.com/applicationtooling

Molex is a registered trademark of Molex, LLC in the United States of America and may be registered in other countries; all other trademarks listed herein belong to their respective owners.