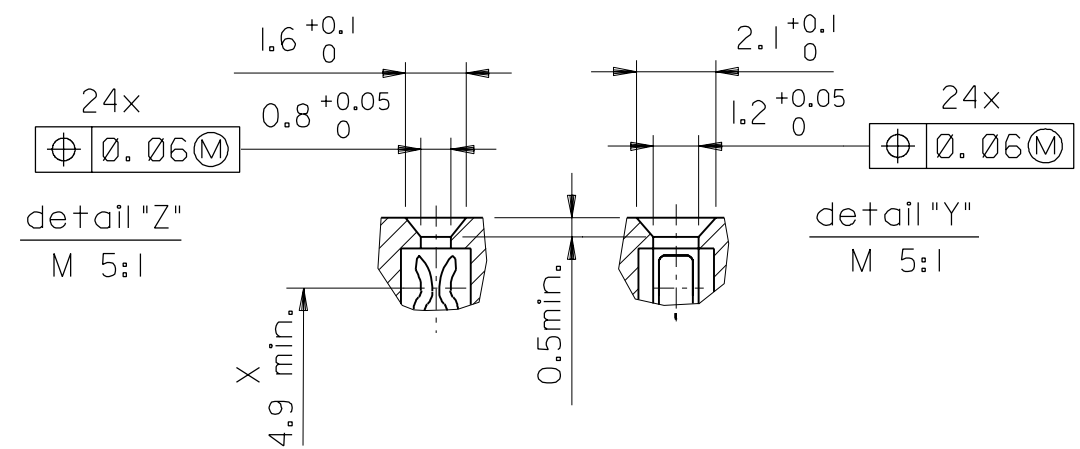


l) tails to fit in PC-board layout  
 PCB layout see SDA-85054-0001 sheet 2



FIRST ANGLE PROJECTION		REVISE ONLY ON CAD SYSTEM		SH.	REV.
UNLESS OTHERWISE SPECIFIED TOLERANCES: ANGULAR ±2° INCH METRIC	3 PLACE ±	±	CAD/CAM PROJECT NAME 85056000 s41	THIS DRAWING CONTAINS INFORMATION THAT IS PROPRIETARY TO MOLEX INC. & SHOULD NOT BE USED WITHOUT WRITTEN PERMISSION	
	2 PLACE ±	±		TITLE 24 pol. Federleiste 24 pos. female connector DIN 41612, style M inverted	
	1 PLACE ±	±		SHEET NO. DATE 1 OF 1 97/04/23	
DRAFT WHERE APPLICABLE MUST REMAIN WITHIN DIMENSIONS		DRWG BY KN	SIGN	PART NO. DWG NO. SIZE SD-85056-0004 B	
DESIGN DIMENSION <input checked="" type="checkbox"/> MM <input type="checkbox"/> IN.		CHK'D BY Ca	SIGN	MOLEX MOLEX EUROPE	
EQUIVALENT DIMENSION <input type="checkbox"/> MM <input type="checkbox"/> IN.		APP'D BY JB	SIGN	SCALE 2:1	
IF TWO DIMENSIONS ARE SHOWN THE UPPER IS THE DESIGN DIMENSION, LOWER IS SECONDARY					

VIEW ON MATING SIDE

C											C	C	C	C	C	C							
α											B	B	B	B	B	B							
◄											A	A	A	A	A	A							

2 3 4 5 6 7 8 9 10 11 12 13 14 15 16 17 18 19 20 21 22 23 24

- A = 8 CONTACTS L-3,4
- B = 8 CONTACTS L-3,4
- C = 8 CONTACTS L-3,4

S = 24 TOTAL NUMBER OF CONTACTS

Marking	Standard
Performance level	G2/0 = Contact area level2 / Termination tin
Flux proof	no
Fixing clip	no
Dimensions	SD-85056-0004 sht.1
Technical Data	PS-85052-0001

C	G2/0	c13-20
B	G2/0	b13-20
A	G2/0	a13-20
Contact symbol	Perform. level	Contact position number

ECN 2478 first release	REVISIONS	FOR PREVIOUS REVISIONS SEE MRI LIST		REVISE ONLY ON CAD SYSTEM	SH. REV.
LTR	REVISIONS	L	R	1	1
				SHEET NO. DATE 1 OF 1 97/05/21	
				PART NO. DWG NO. SD-85056-0012 SD-85056-0012	
			TITLE 24 pos. female connector acc. DIN 41612, style M invert. contacts arrangement		
				CAD/CAM PROJECT NAME s8505600 s11	
THIS DRAWING CONTAINS INFORMATION THAT IS PROPRIETARY TO MOLEX INC. & SHOULD NOT BE USED WITHOUT WRITTEN PERMISSION					
UNLESS OTHERWISE SPECIFIED TOLERANCES: ANGULAR ± 2°		INCH METRIC			
3 PLACE ± .		±			
2 PLACE ± .		±			
1 PLACE ± .		±			
DRAFT WHERE APPLICABLE MUST REMAIN WITHIN DIMENSIONS					
DESIGN DIMENSION		<input type="checkbox"/> MM <input type="checkbox"/> IN.			
EQUIVALENT DIMENSION		<input type="checkbox"/> MM <input type="checkbox"/> IN.			
IF TWO DIMENSIONS ARE SHOWN, THE UPPER IS THE DESIGN DIMENSION, LOWER IS SECONDARY					