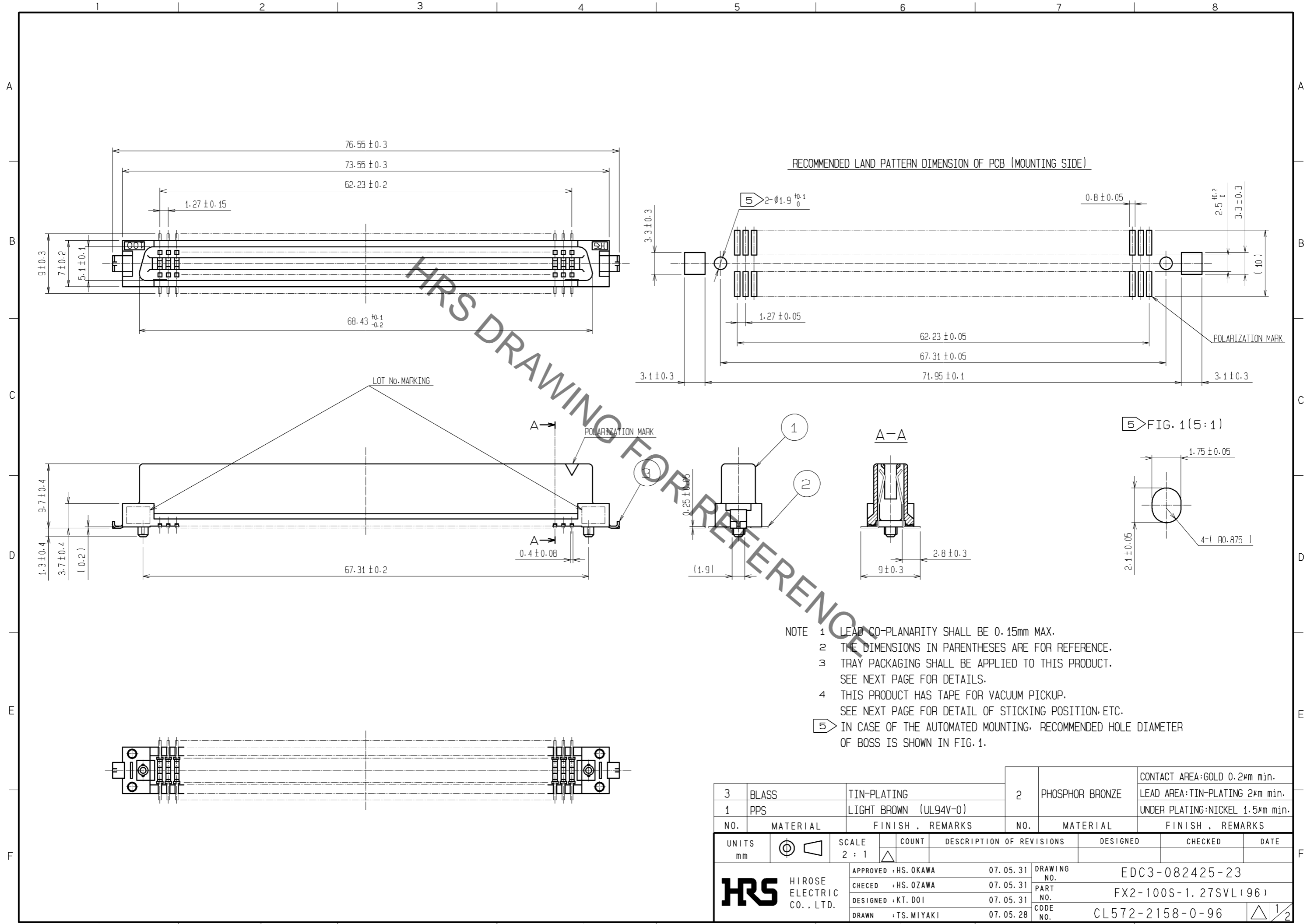


May.1.2023 Copyright 2023 HIROSE ELECTRIC CO., LTD. All Rights Reserved.  
 In case of consideration for using Automotive equipment / device which demand high reliability, kindly contact our sales window correspondents.

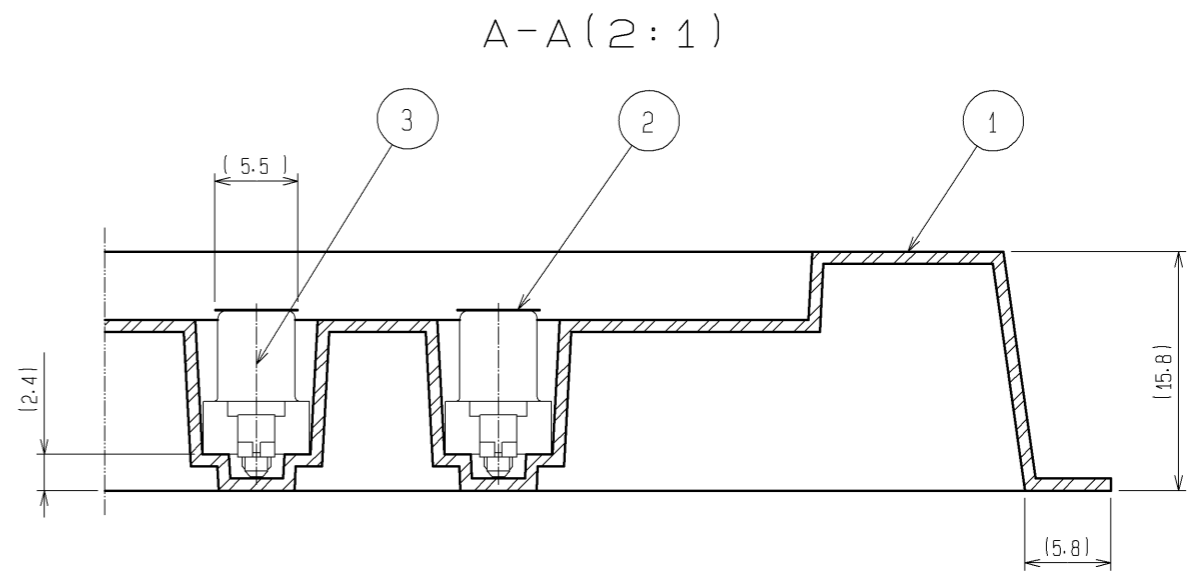
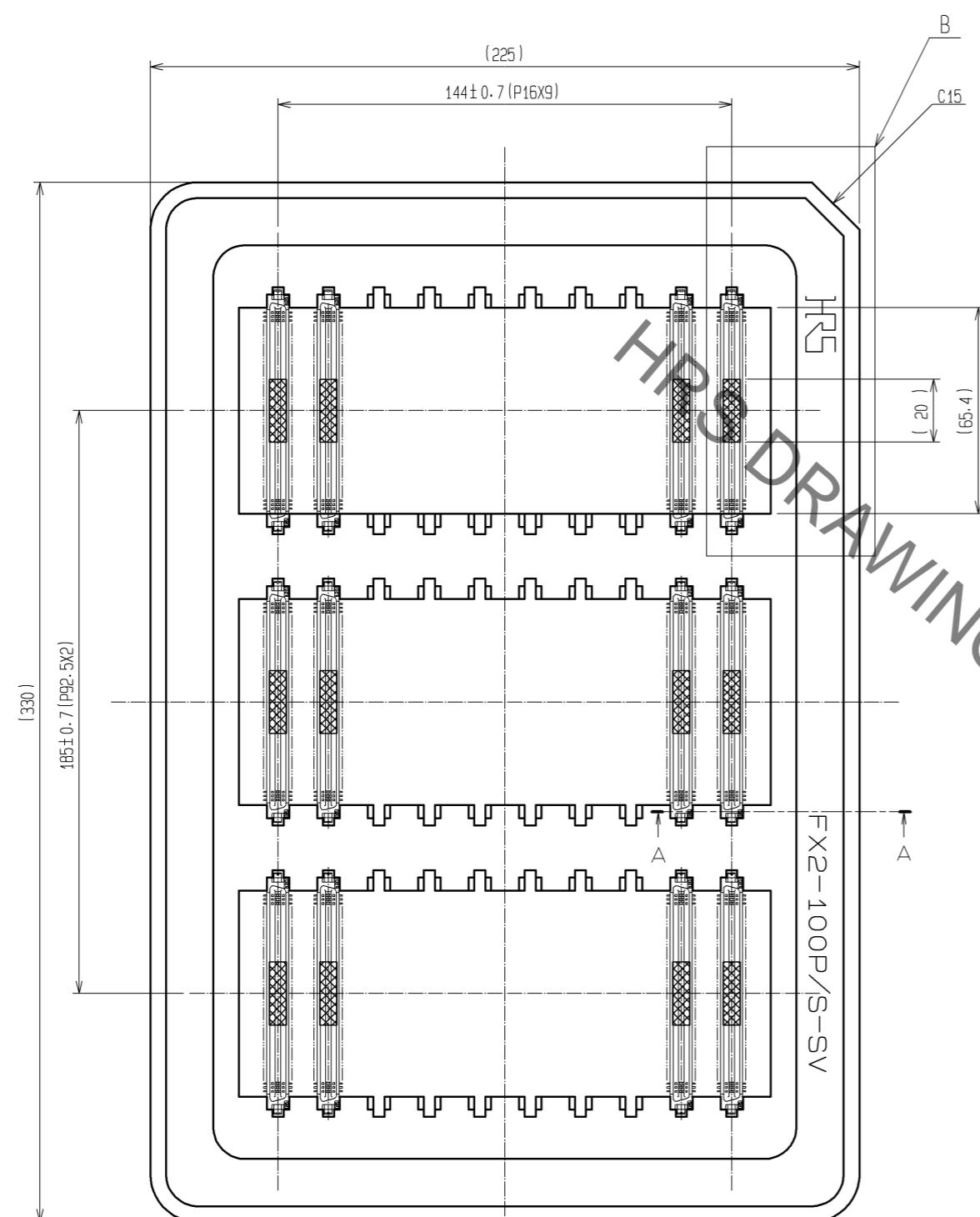


- NOTE
- LEAD CO-PLANARITY SHALL BE 0.15mm MAX.
  - THE DIMENSIONS IN PARENTHESES ARE FOR REFERENCE.
  - TRAY PACKAGING SHALL BE APPLIED TO THIS PRODUCT. SEE NEXT PAGE FOR DETAILS.
  - THIS PRODUCT HAS TAPE FOR VACUUM PICKUP. SEE NEXT PAGE FOR DETAIL OF STICKING POSITION, ETC.
- 5 IN CASE OF THE AUTOMATED MOUNTING, RECOMMENDED HOLE DIAMETER OF BOSS IS SHOWN IN FIG. 1.

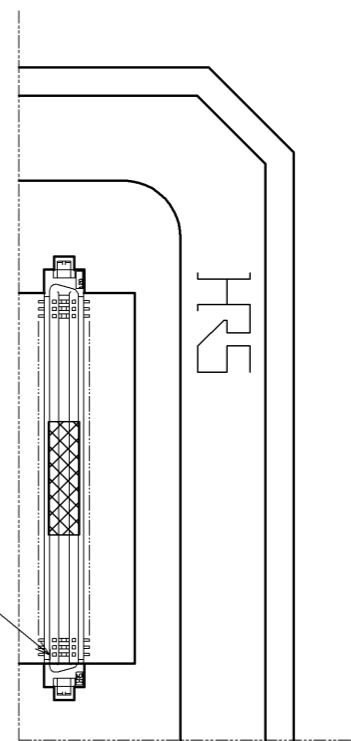
3	BLASS	TIN-PLATING	2	PHOSPHOR BRONZE	CONTACT AREA:GOLD 0.2μm min.		
1	PPS	LIGHT BROWN (UL94V-0)			LEAD AREA:TIN-PLATING 2μm min.		
					UNDER PLATING:NICKEL 1.5μm min.		
NO.	MATERIAL	FINISH . REMARKS	NO.	MATERIAL	FINISH . REMARKS		
UNITS	⊕	SCALE	COUNT	DESCRIPTION OF REVISIONS	DESIGNED	CHECKED	DATE
mm		2 : 1	△				
<b>HRS</b> HIROSE ELECTRIC CO., LTD.		APPROVED : HS. OKAWA	07.05.31	DRAWING NO.	EDC3-082425-23		
		CHECED : HS. OZAWA	07.05.31	PART NO.	FX2-100S-1.27SVL(96)		
		DESIGNED : KT. DOI	07.05.31	CODE NO.	CL572-2158-0-96		
		DRAWN : TS. MIYAKI	07.05.28		△ 1/2		

May.1.2023 Copyright 2023 HIROSE ELECTRIC CO., LTD. All Rights Reserved.  
In case of consideration for using Automotive equipment / device which demand high reliability, kindly contact our sales window correspondents.

DRAWING FOR PACKING



B (FREE)



- NOTE
- 1 TRAY:30 CONNECTORS
  - 2 SETTING POSITION OF CONNECTORS IN THE TRAY SHALL BE ARRANGED IN ACCORDANCE WITH DRAWING.
  - 3 REMOVE THE VACUUM PICK-UP TAPE AFTER MOUNTING THE CONNECTOR.
  - 4 THE DIMENSIONS IN PARENTHESES ARE FOR REFERENCE.

2	POLYIMIDE	(TAPE FOR VACUUM PICK-UP)					
1	PS	TRAY	3		(CONNECTOR)		
NO.	MATERIAL	FINISH . REMARKS	NO.	MATERIAL	FINISH . REMARKS		
UNITS	mm	SCALE	COUNT	DESCRIPTION OF REVISIONS	DESIGNED	CHECKED	DATE
		1 : 2	△				
APPROVED : HS. OKAWA		07.05.31	DRAWING NO. EDC3-082425-23				
CHECKED : HS. OZAWA		07.05.31	PART NO. FX2-100S-1.27SVL(96)				
DESIGNED : KT. DOI		07.05.31	CODE NO. CL572-2158-0-96				
DRAWN : TS. MIYAKI		07.05.28					