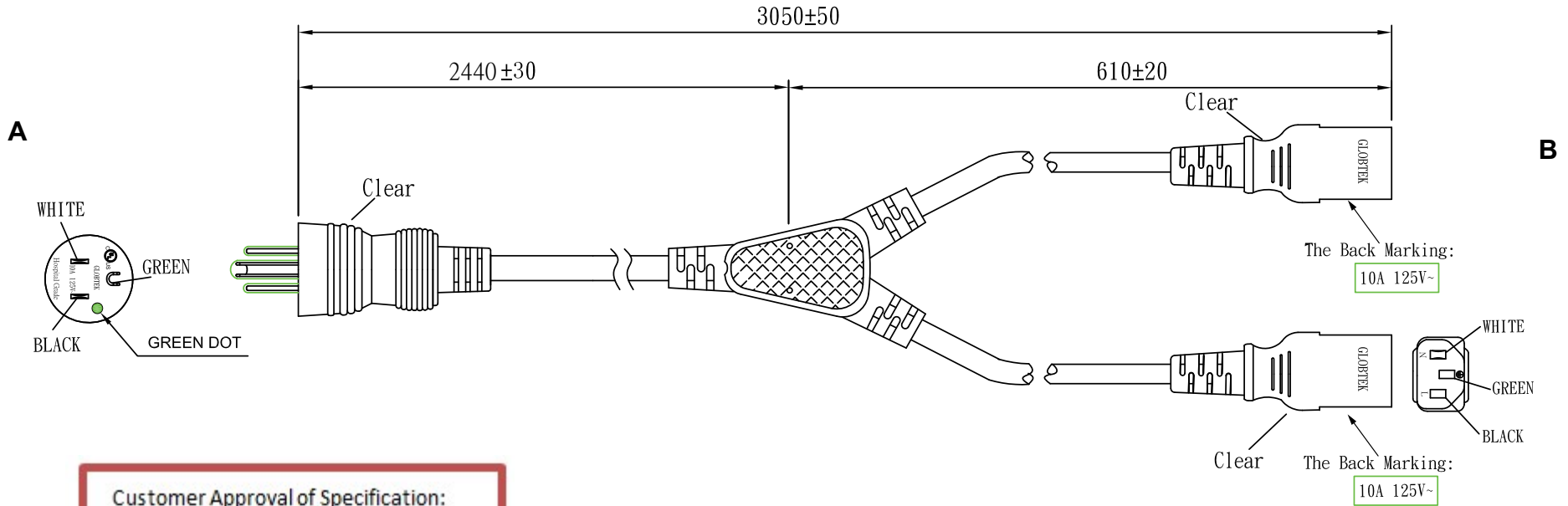


PROPRIETARY INFORMATION:
 PROPRIETARY OF GLOBTEK, INC. ANY REPRODUCTION, DISCLOSURE OR USE OF THIS DRAWING, IN WHOLE OR IN PART, IS HEREBY PROHIBITED EXCEPT AS SPECIFIED IN WRITING BY GLOBTEK, INC.

| REVISION | | | |
|----------|--|----------|----------|
| REV | DESCRIPTION | DATE | APPROVED |
| A | INITIAL RELEASE, RFS.22372,EM | 02/09/12 | HM |
| B | UPDATE COLOR OF NEMA 5-15P, RFS. 22705, EM | 03/30/12 | HM |
| C | UPDATE CABLE TYPE TO SJT UL APPROVED CORDSET, RFS. 25289, EM | 11/18/13 | HM |
| D | REMOVE ADHESIVE LABEL, ADD NOTE TO PAGE 2 AND MOLDED INTO "10A 125V~" TO PLUG AND CONNECTORS, RFS. 27390 | 07/08/19 | MK |




Customer Approval of Specification:
 Please approve, sign and send back to GlobTek so we can complete order processing. A delay in receipt of this form will delay delivery schedule.

Company Name:
 Customer P/N:
 Quote Number:
 Date:
 Auth. Rep. Name:
 Auth. Rep. Signature:

RELEASED
 By pudxc at 10:00 am, Jul 11, 2019



| DASH NO. | PART NO | REV. | DESCRIPTION | NOTES |
|-------------------------|----------------|---|-----------------------------------|---|
| TABULATION BLOCK | | | | |
| | | TOLERANCES: DECIMALS ANGULAR .xx +/- 0.1 +/- 1° .xxx +/- .005 | |  GlobTek, Inc. www.globtek.com 186 Veterans Dr. Northvale, NJ 07647 Tel. 201-784-1000 Fax 201.784.0111 |
| | | MILLIMETERS ANGULAR .xx +/- 0.3 +/- 1° .xxx +/- .013 | | |
| INIT.BY: EM | DATE: 02/09/12 | DWG TITLE: NORTH AMERICAN DETACHABLE CORDSET | | |
| DRAWN: NF | DATE: 02/09/12 | FSCN No.: G, CC | SIZE: A | REV. D |
| APRVD: HM | DATE: 02/09/12 | SCALE: NONE | PART NO: 1191663M0701X2(R) | SHEET 1/2 |

Foot Note:
 Globtek Inc. will not be liable for the safety and performance of these power product if unauthorized access and repair occurs. End user should consult the applicable UL, CSA or EN Standards for proper installation instruction.

Limitation of Use:
 Globtek product are not authorized for use as mission critical components in life support, hazardous environment, nuclear or aircraft applications without prior written approval from the CEO of Globtek Inc.

Contents of this document are subject to change without prior notice

PROPRIETARY INFORMATION:

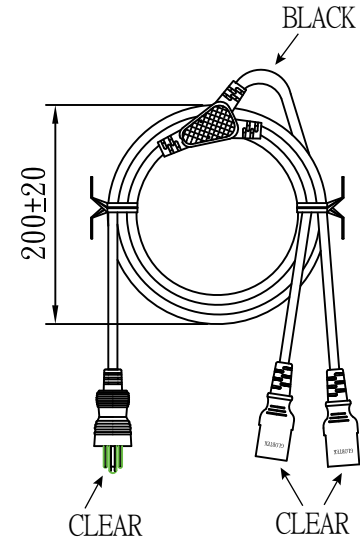
PROPRIETARY OF GLOBTEK, INC. ANY REPRODUCTION, DISCLOSURE OR USE OF THIS DRAWING, IN WHOLE OR IN PART, IS HEREBY PROHIBITED EXCEPT AS SPECIFIED IN WRITING BY GLOBTEK, INC.

GENERAL SPECIFICATIONS:

RATING: 10A / 125V AC
CABLE TYPE / SIZE: SJT 18AWG x 3C
TEMPERATURE RATING: 105° C
CONDUCTOR COLORS: BLACK / WHITE / GREEN
CABLE JACKET COLOR: BLACK
OVERALL LENGTH: SEE DRAWING
CABLE OUTER DIAMETER: 7.8 ± 0.1 mm
END 'A' TERMINATION: NEMA 5-15P (CLEAR COLOR) HOSPITAL GRADE
END 'B' TERMINATION: IEC 320 / C13 x 2 (CLEAR COLOR)
APPROVALS PLUG: UL, CSA or cUL
APPROVALS CABLE: UL, CSA or cUL
APPROVALS CONNECTOR: UL, CSA or cUL

PACKING:

HANKING



NOTES:

1. CORD, PLUG AND CONNECTOR MUST BE MARKED WITH APPROVAL SYMBOLS OR FILE NUMBER(S) MINIMUM



2. PLUG AND CONNECTORS MUST BE MARKING WITH 10A 125V~

GlobTek, Inc.
www.globtek.com

186 Veterans Dr. Northvale, NJ 07647
Tel. 201-784-1000 Fax 201.784.0111

DWG TITLE: NORTH AMERICAN DETACHABLE CORDSET

MODEL:

REV.
D

PART NO: 1191663M0701X2(R)

SHEET 2/2