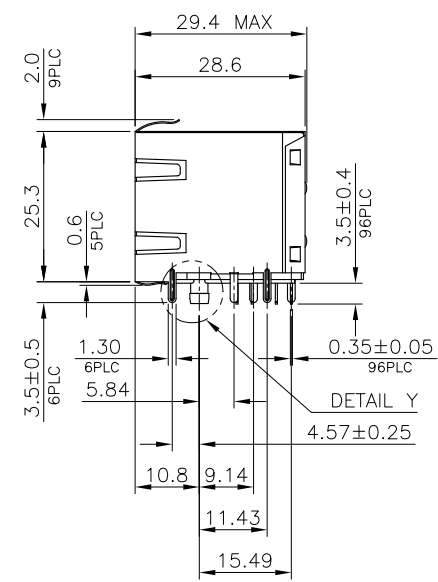
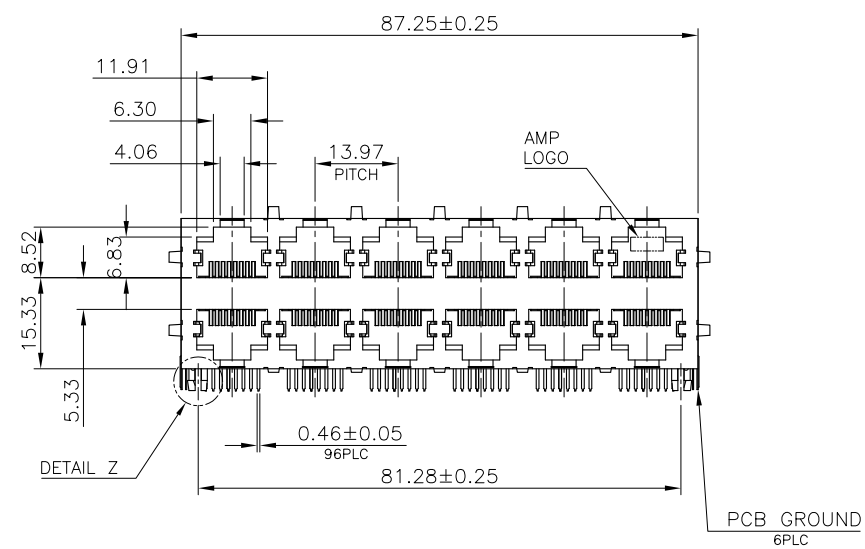
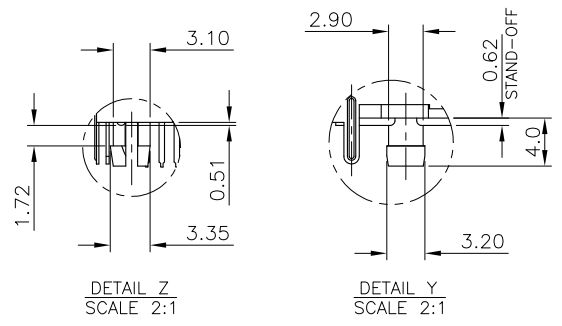
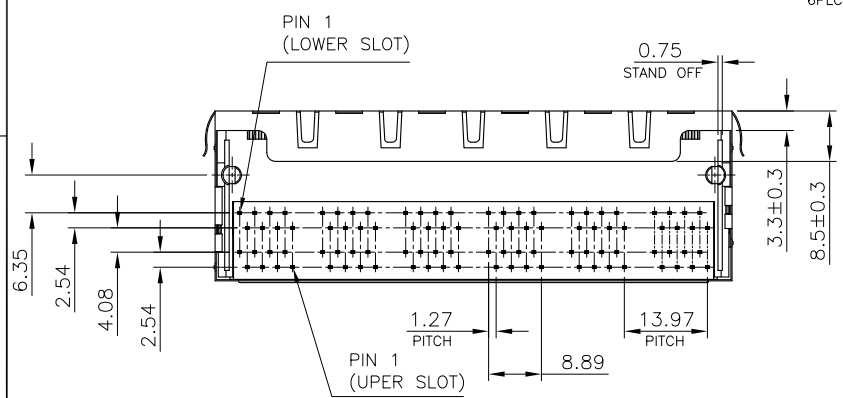


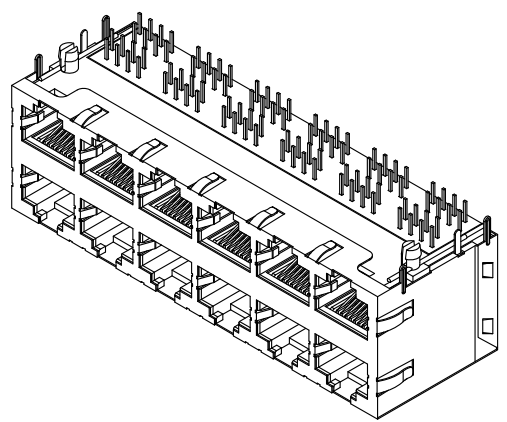
LOC	DW	DIST	REVISIONS			
P	LTR	DESCRIPTION	DATE	DWN	APVD	
B3		REVISED (ECR-12-012115, OBSOLETE P/N 2-2, 2-3, 2-4, 2-7, 2-8, 7-2, 7-3)	23OCT'12	E.L.	W.K.	



NOTE:  
 1. MATERIAL:  
 1.1 HOUSING & COVER: THERMOPLASTIC (SEE TABLE), WITH 30% GF, UL94V-0, COLOR: BLACK.  
 1.2 INSERT HOUSING: PBT, WITH 30% GF, UL94V-0, COLOR: BLACK.  
 1.3 CONTACTS: PHOSPHOR BRONZE.  
 1.4 SHELL & INNER SHELL: BRASS.  
 2. FINISH:  
 2.1 CONTACTS: (SEE TABLE) GOLD PLATED ON CONTACT AREA. GOLD FLASH ON SOLDER TAIL.  
 1.27um [50u"] MIN. NICKEL UNDERPLATED OVERALL.  
 2.2 SHELL:  $\Delta$  - GOLD FLASH OVER 0.508um [20u"] MIN. NICKEL PLATED OVERALL.  
 $\Delta$  - 0.508um [25u"] MIN. NICKEL PLATED OVERALL.  
 $\Delta$  WAVE SOLDER CAPABLE TO 220°C.  
 $\Delta$  WAVE SOLDER CAPABLE TO 265°C PER TE TEST SPEC. 109-202, CONDITION B.  
 $\Delta$  OBSOLETE PARTS:  
 OBSOLETE CIS STREAMLINING PER D.RENAUD/D.SINISI.



OBSOLETE	PA46	12	$\Delta$	0.762um[30u"]	<del>6-1734473-6</del>
				0.381um[15u"]	<del>6-1734473-5</del>
				0.152um[6u"]	<del>6-1734473-4</del>
				0.762um[30u"]	<del>6-1734473-3</del>
				0.381um[15u"]	<del>6-1734473-2</del>
				0.152um[6u"]	<del>6-1734473-1</del>
	PBT	12	$\Delta$	0.762um[30u"]	<del>1-1734473-6</del>
				0.381um[15u"]	<del>1-1734473-5</del>
				0.152um[6u"]	<del>1-1734473-4</del>
				0.762um[30u"]	<del>1-1734473-3</del>
				0.381um[15u"]	<del>1-1734473-2</del>
				0.152um[6u"]	<del>1-1734473-1</del>
HOUSING MATERIAL	NO. OF PORTS	SHIELD PLATED	MIN. GOLD THICKNESS	PART NUMBER	



THIS DRAWING IS A CONTROLLED DOCUMENT.		DWN	S. CHIEN	07MAY2009	TE Connectivity
DIMENSIONS: mm		CHK	S. CHIEN	07MAY2009	
TOLERANCES UNLESS OTHERWISE SPECIFIED:		APVD	W. KODAMA	07MAY2009	
0 PLC ± - 1 PLC ± 0.3 2 PLC ± 0.2 3 PLC ± 0.15 4 PLC ± - ± 3°		NAME	MODULAR JACK RJ45, STACKED, MULTI-PORT, SHIELDED, THRU-HOLE, PANEL GROUND		
MATERIAL	SEE NOTE	FINISH	SEE NOTE	APPLICATION SPEC	108-57535
MATERIAL		WEIGHT		70 GRAMS	SIZE
SEE NOTE		CUSTOMER DRAWING		A3	CAGE CODE
		SCALE		1 of 6	REV B3