

**NOTES:**

**1- MATERIAL:**

HOUSING: LCP GLASS FILLED UL 94V0, COLOUR: BLACK  
 TERMINAL: COPPER ALLOY PLATED WITH:  
 BASE FINISH: NICKEL  
 CONTACT SURFACE FINISH:  
 GOLD  
 OR  
 GOLD FLASH OVER PALLADIUM NICKEL.  
 EXCEEDS PRODUCT REQUIREMENTS BASED ON PS-95501

SOLDER PEGS: COPPER ALLOY PLATED WITH TIN.

2- JACK FOR MATING WITH IEC 60603-7 & TIA-1096-A PLUGS (MOLEX 90075 SERIES).

3- PRODUCT SPECIFICATION: MOLEX PS-95501

4- POLYIMIDE ADHESIVE TAPE FOR PICK & PLACE SURFACE. THICKNESS: 125 μm

5- PACKAGING SPECIFICATION: MOLEX PK-85502. (BLISTER PACKAGING).

6- COPLANARITY OF SIGNAL LEADS: 0.10

7- SEE DIMENSIONS IN CHART ON SHEET 2.

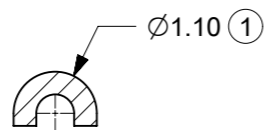
8- P.C. BOARD THICKNESS: 1.57

9- MANUFACTURING I.D. CAN BE EITHER MG, MXF OR MXI.

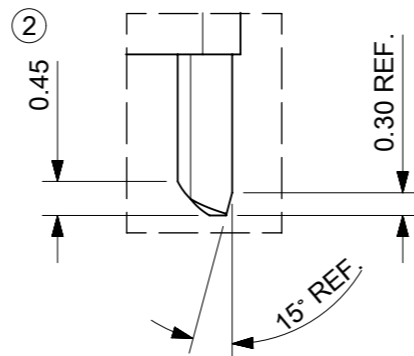
10- APPLICATION SPEC: AS-85513-001

LAST INSPECTION NUMBER: 14

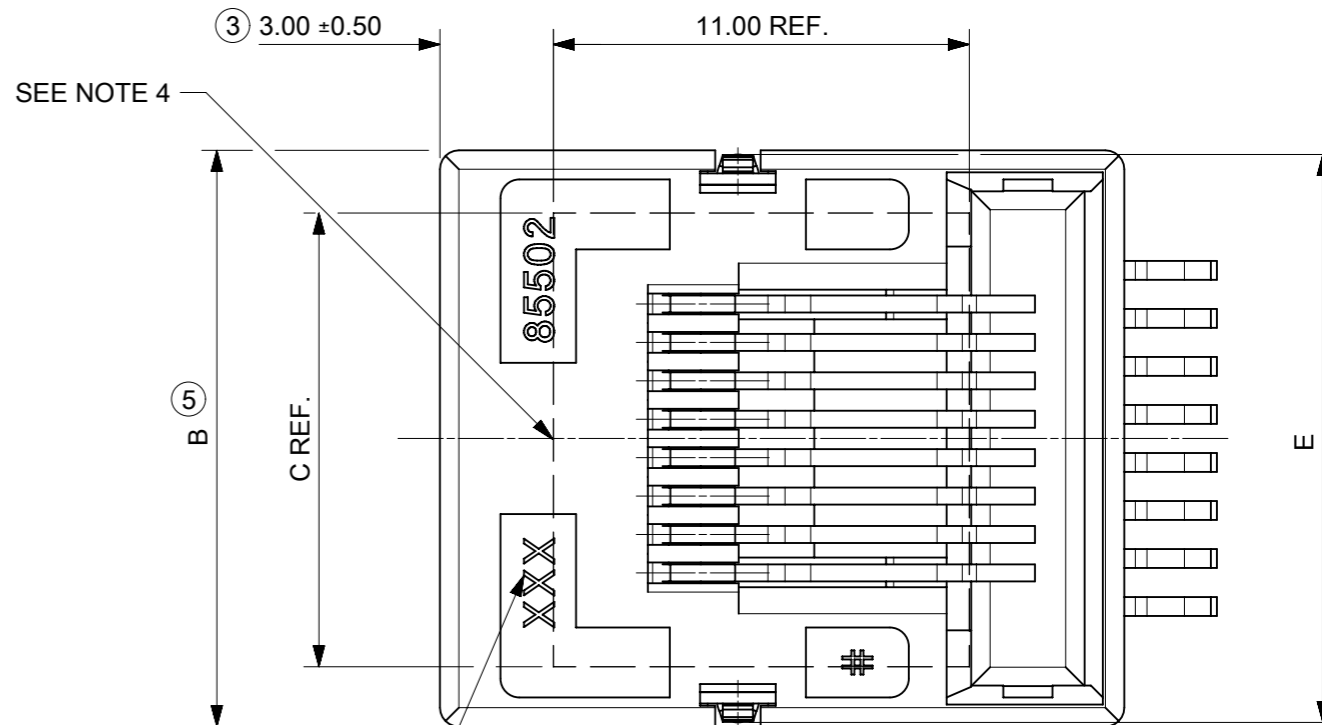
CHANGED PROD SPEC EC NO: IPG2013-0771 DRWN:DBYRNES 2012/11/23 CHKD: APPR:STGRIFFIN 2012/12/13	DESCRIPTION REV	QUALITY SYMBOLS	GENERAL TOLERANCES (UNLESS SPECIFIED)		DIMENSION STYLE MM ONLY		SCALE 5:1	DESIGN UNITS METRIC	THIRD ANGLE PROJECTION	
		▽=0	mm	INCH	DRAWN BY DB	DATE 2006/06/12	TITLE R/A LOW PROFILE P.C.JACK SMT; 4,6 & 8 CKTS WITH THROUGH HOLE SOLDER PEGS			
		∇=0	4 PLACES ± --- ± ---	3 PLACES ± --- ± ---	CHECKED BY EOMAHONY	DATE 2006/06/15	MOLEX MOLEX INCORPORATED			
			2 PLACES ± 0.25 ± ---	1 PLACE ± 0.35 ± ---	APPROVED BY EOMAHONY	DATE 2006/06/15	MATERIAL NO. SEE CHART SHT 2	DOCUMENT NO. SD-85502-103	SHEET NO. 1 OF 2	
DRAFT WHERE APPLICABLE MUST REMAIN WITHIN DIMENSIONS			THIS DRAWING CONTAINS INFORMATION THAT IS PROPRIETARY TO MOLEX INCORPORATED AND SHOULD NOT BE USED WITHOUT WRITTEN PERMISSION							



SECTION V-V  
(SCALE 10:1)



DETAIL X  
(SCALE 10:1)



SEE NOTE 4

SEE NOTE 9.

NOTES:

- MATERIAL:**  
HOUSING: LCP GLASS FILLED UL 94-V0, COLOUR: BLACK  
TERMINAL: COPPER ALLOY PLATED WITH:  
BASE FINISH: NICKEL  
CONTACT SURFACE FINISH:  
GOLD  
OR  
GOLD FLASH OVER PALLADIUM NICKEL.  
EXCEEDS PRODUCT REQUIREMENTS BASED ON PS-95501

SOLDER PEGS: COPPER ALLOY PLATED WITH TIN.

- JACK FOR MATING WITH IEC 60603-7 & TIA-1096-A PLUGS (MOLEX 90075 SERIES)

- PRODUCT SPECIFICATION: MOLEX PS-95501

- POLYIMIDE ADHESIVE TAPE FOR PICK & PLACE SURFACE. THICKNESS: 125µm.

- PACKAGING SPECIFICATION: MOLEX PK-85502 (BLISTER PACKAGING).

- COPLANARITY OF SIGNAL LEADS: 0.10

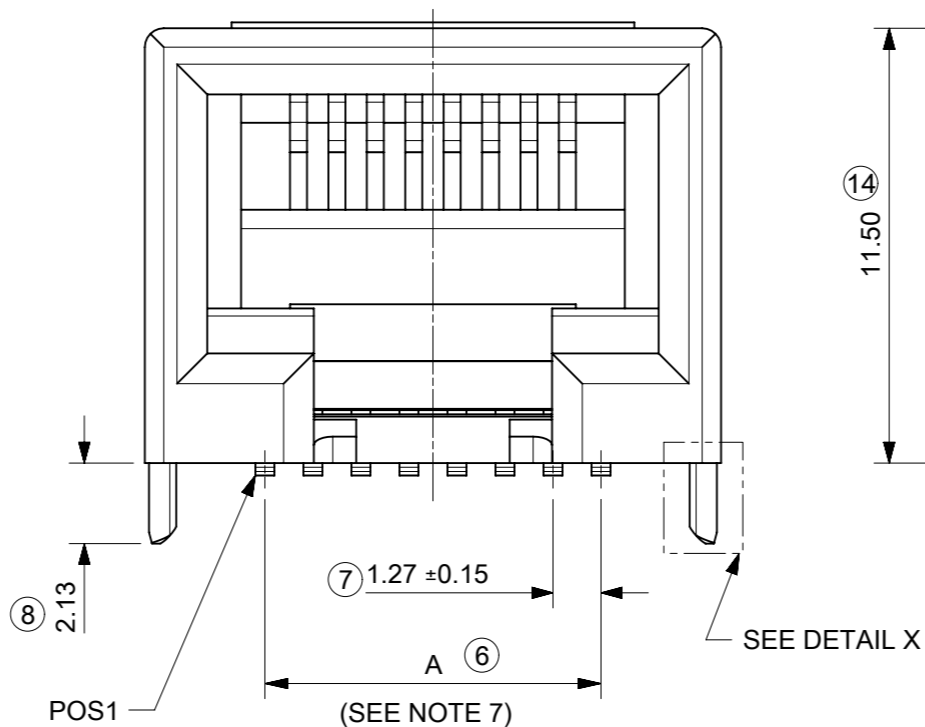
- SEE DIMENSIONS IN CHART ON SHEET 2.

- P.C. BOARD THICKNESS: 1.57

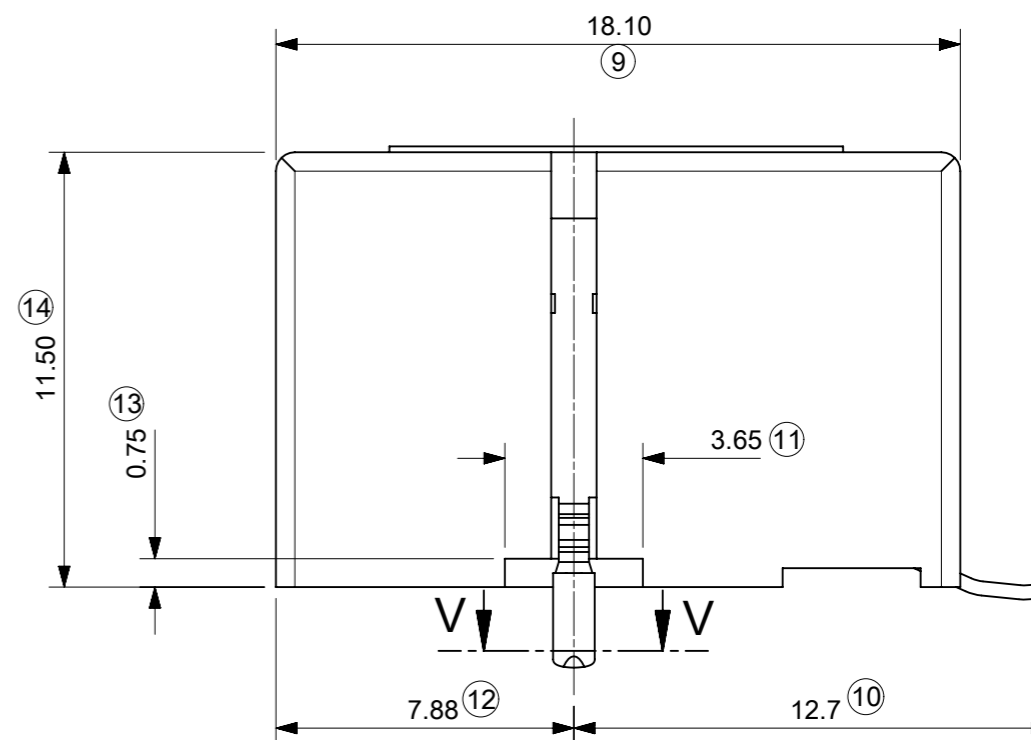
- MANUFACTURING I.D. MAY BE EITHER MG, MXF, MXI OR MXCH.

- APPLICATION SPEC: AS-85513-001

LAST INSPECTION NUMBER: 15

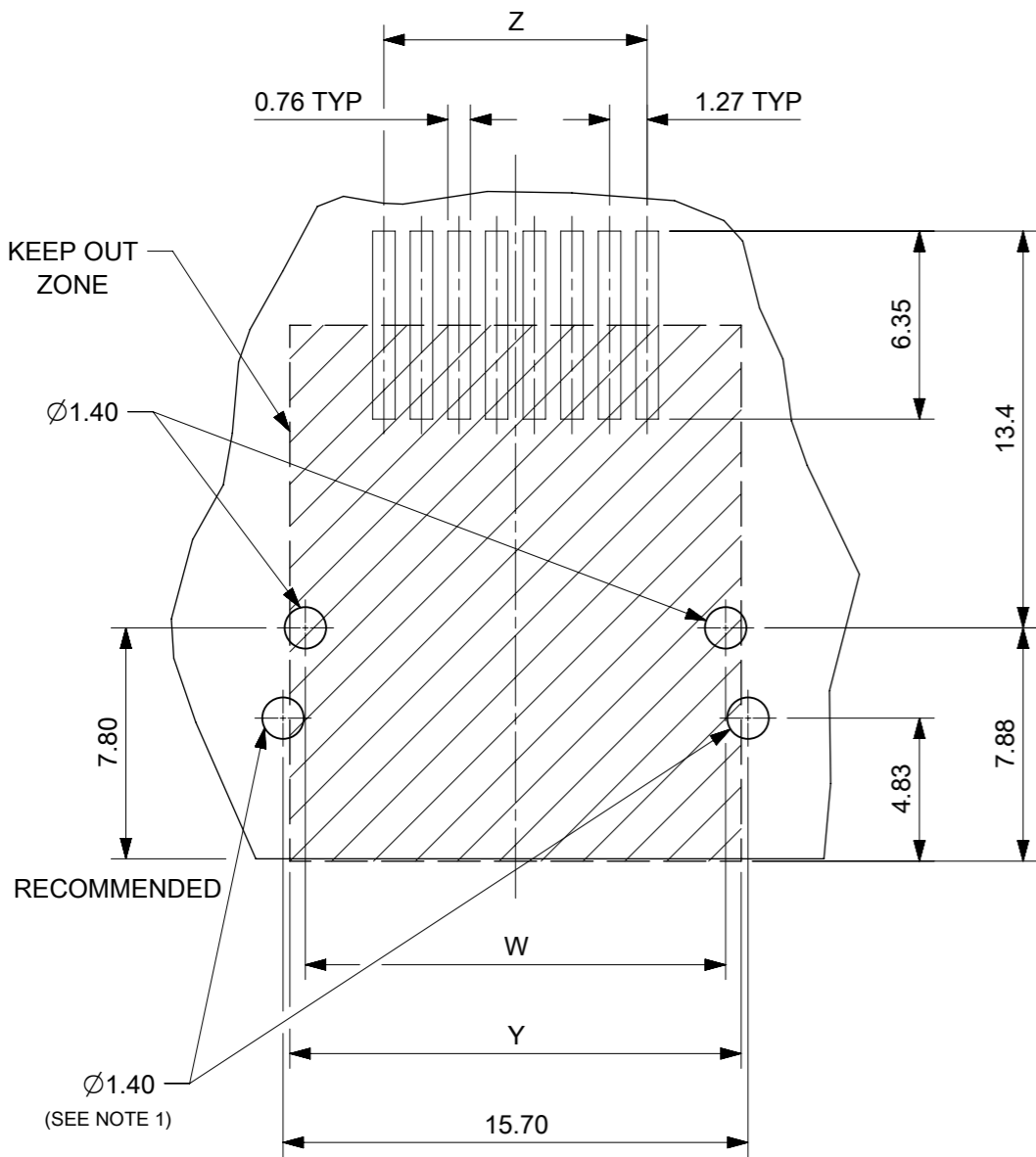


SEE DETAIL X



THIS DRAWING CONTAINS INFORMATION THAT IS PROPRIETARY TO MOLEX ELECTRONIC TECHNOLOGIES, LLC AND SHOULD NOT BE USED WITHOUT WRITTEN PERMISSION									
DIMENSION UNITS	SCALE	CURRENT REV DESC: REMASTERED USING 3D MODELS							
mm	5:1								
GENERAL TOLERANCES (UNLESS SPECIFIED)									
ANGULAR TOL	± 2.0°	<b>RIGHT ANGLE LOW PROFILE SMT PC JACK WITH THROUGH HOLE SOLDER PEGS</b>							
4 PLACES	±	<b>PRODUCT CUSTOMER DRAWING</b>							
3 PLACES	±	EC NO: 686811 DRWN: AKUMAR19 2021/08/02 CHK'D: KLANG 2022/01/10 APPR: KLANG 2022/01/10							
2 PLACES	± 0.25	DOCUMENT NUMBER: SD-85502-103 DOC TYPE: PSD DOC PART: 002 REVISION: E2							
1 PLACE	± 0.35	INITIAL REVISION: DRWN: DBYRNES 2006/07/04 APPR: EOMAHONY 2006/07/07							
0 PLACES	±	MATERIAL NUMBER: SEE CHART CUSTOMER: GENERAL MARKET SHEET NUMBER: 1 OF 2							
DRAFT WHERE APPLICABLE MUST REMAIN WITHIN DIMENSIONS		THIRD ANGLE PROJECTION	DRAWING	SERIES	MATERIAL NUMBER	CUSTOMER	SHEET NUMBER		
			A3-SIZE	85502	SEE CHART	GENERAL MARKET	1 OF 2		

- NOTES:  
 1. TWO OPTIONAL HOLES FOR THE 8 POSITION - VERSION FOR THE COMPABILITY WITH THE INTERNAL SHIELDED VERSION.  
 2. PLATING SEE SHEET 1.



P.C.B. MOUNTING PATTERNS (THROUGH HOLE SOLDER LEGS VERSION)  
 VIEW FROM COMPONENT SIDE (SCALE 4:1)  
 ALL DIMENSIONS REF DIMENSIONS

	PART NUMBERS FOR SMT JACK WITH THROUGH HOLE SOLDER PEGS								
	HOUSING COLOR	POS. 4 4 CKTS.	TOOLED	POS. 6 4 CKTS.	TOOLED	POS. 6 6 CKTS.	TOOLED	POS. 8 8 CKTS.	TOOLED
STANDARD VERSION	BLACK	85502-5009	X	85502-5010	X	85502-5011	X	85502-5012	X

DIM. \ TYPE	POS. 4	POS. 6		POS. 8
	4 CKTS.	4 CKTS.	6 CKTS.	8 CKTS.
A ± 0.15	3.81	3.81	6.35	8.89
B	11.18	13.21	13.21	15.24
C (REF)	8.50	8.50	8.50	12.00
E	11.08	13.11	13.11	15.14
W ± 0.05	10.13	12.16	12.16	14.19
Y (REF)	11.18	13.21	13.21	15.24
Z ± 0.05	3.81	3.81	6.35	8.89

THIS DRAWING CONTAINS INFORMATION THAT IS PROPRIETARY TO MOLEX ELECTRONIC TECHNOLOGIES, LLC AND SHOULD NOT BE USED WITHOUT WRITTEN PERMISSION											
DIMENSION UNITS <b>mm</b>	SCALE <b>5:1</b>	CURRENT REV DESC: REMASTERED USING 3D MODELS									
GENERAL TOLERANCES (UNLESS SPECIFIED)		EC NO: 686811									
ANGULAR TOL	± 2.0 °	DRWN: AKUMAR19 2021/08/02			RIGHT ANGLE LOW PROFILE SMT PC JACK WITH THROUGH HOLE SOLDER PEGS						
4 PLACES	±	CHK'D: KLANG 2022/01/10			PRODUCT CUSTOMER DRAWING						
3 PLACES	±	APPR: KLANG 2022/01/10			DOCUMENT NUMBER						
2 PLACES	± 0.25	INITIAL REVISION:			2006/07/04		SD-85502-103		DOC TYPE	DOC PART	REVISION
1 PLACE	± 0.35	DRWN: DBYRNES			2006/07/07		PSD		002	E2	
0 PLACES	±	APPR: EOMAHONY			2006/07/07		SEE CHART		GENERAL MARKET		
DRAFT WHERE APPLICABLE MUST REMAIN WITHIN DIMENSIONS		THIRD ANGLE PROJECTION	DRAWING	SERIES	MATERIAL NUMBER	CUSTOMER		SHEET NUMBER			
			A3-SIZE	85502	SEE CHART	GENERAL MARKET		2 OF 2			