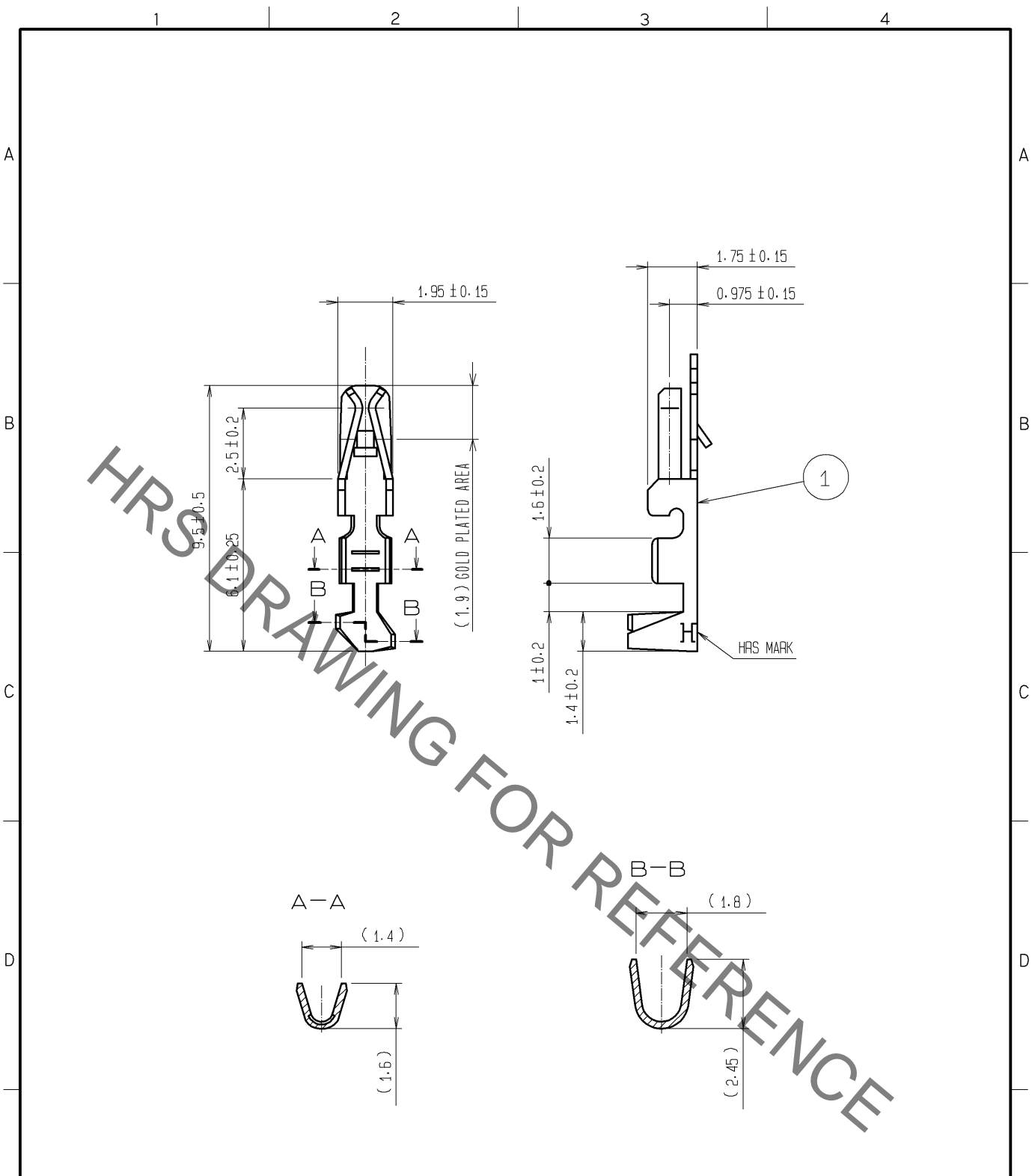


May.1.2023 Copyright 2023 HIROSE ELECTRIC CO., LTD. All Rights Reserved.
 In case of consideration for using Automotive equipment / device which demand high reliability, kindly contact our sales window correspondents.



NOTE1. APPLICABLE CABLE : AWG24 TO 28

NO.		MATERIAL		FINISH . REMARKS		NO.		MATERIAL		FINISH . REMARKS			
						1		PHOSPHOR BRONZE		CONTACT:GOLD PLATING 0.2 μ m Min OTHER:NICKEL PLATING 1 μ m Min			
UNITS mm		SCALE 5 : 1		COUNT		DESCRIPTION OF REVISIONS		DESIGNED		CHECKED		DATE	
HRS		HIROSE ELECTRIC CO., LTD.		APPROVED :KI. AKIYAMA 10.11.26		DRAWING NO. EDC4-080533-01							
				CHECKED :TS. FUKUSHIMA 10.11.25		PART NO. DF1B-2428SCA							
				DESIGNED :HT. SATO 10.11.25		CODE NO. CL541-0681-6-00						1/1	
				DRAWN :MI. SAKIMURA 10.11.24									