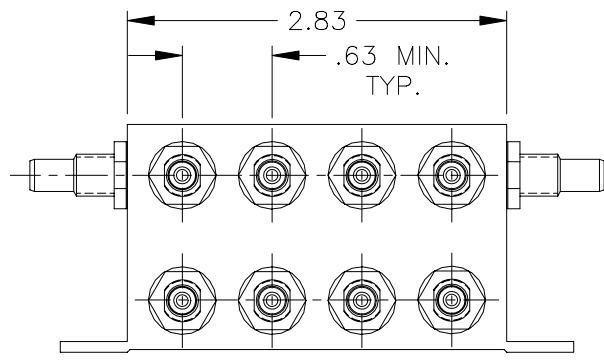
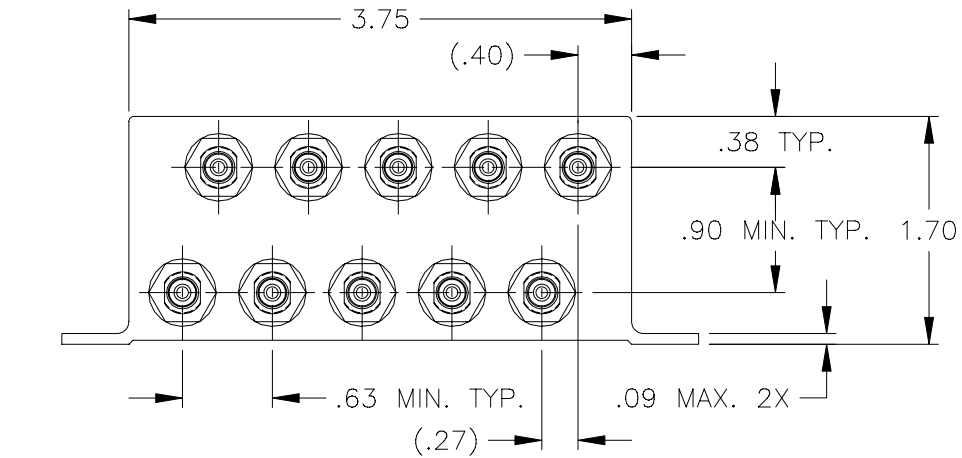
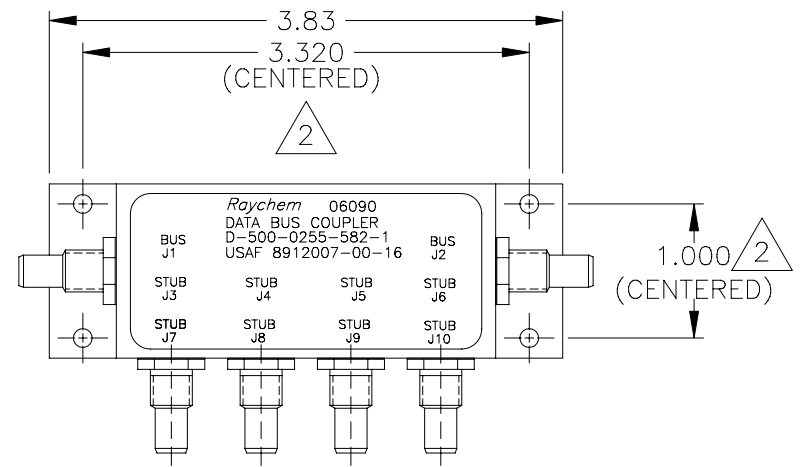
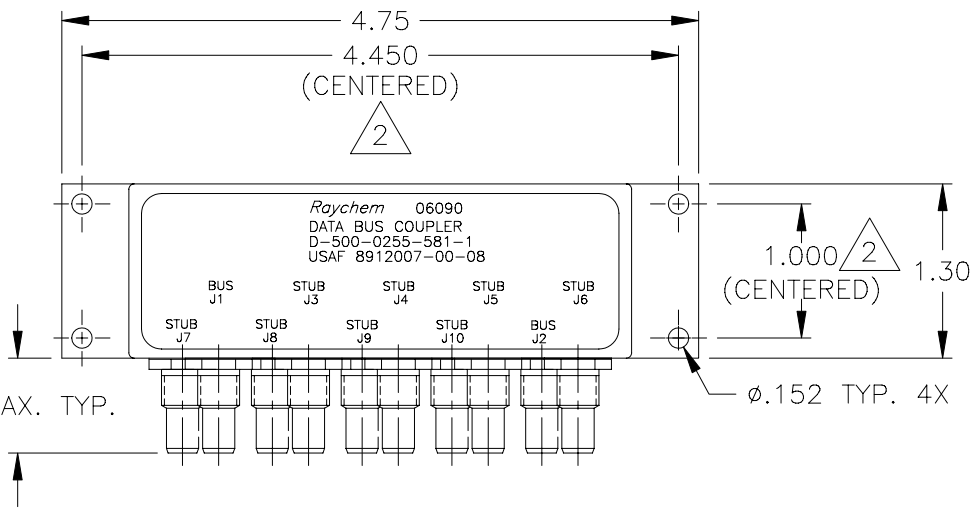


REVISIONS			
LTR	DESCRIPTION	DATE	APPROVED
B	REVISED PER PER DCR NO. T-25169	7/14/00	GMR



FACE MOUNT BUS CONFIGURATION
D-500-0255-581-1

SIDE MOUNT BUS CONFIGURATION
D-500-0255-582-1

- 3 WEIGHT: D-500-0255-581-1 264 grams MAX.
D-500-0255-582-1 235 grams MAX.
- 2 HOLE PATTERN MACHINED SYMMETRIC TO MOUNTING FLANGE.
1. ORIENTATION OF CONNECTORS IS APPROXIMATELY AS SHOWN.

NOTES: If this document is printed it becomes uncontrolled.
Check for the latest revision.

SPECIFICATION CONTROL DRAWING

UNLESS OTHERWISE SPECIFIED DIMENSIONS ARE IN INCHES. METRIC DIMENSIONS ARE IN BRACKETS. DECIMALS .XXX ± .010 [— mm] .XX ± .03 [— mm] ANGLES .X ± — WEIGHT 3	DRAWN	J.B.K.	92 FEB 25		Tyco Electronics Corporation 300 Constitution Drive Menlo Park, CA. 94025 U.S.A.							
	CHECKED											
	APPROVED				TITLE 8 STUB DATA BUS BOX COUPLER WITH THREADED TRIAXIAL CONNECTORS (FACE MOUNT & SIDE MOUNT BUS CONFIGURATION)							
	APPROVED	Z.TEMAN	92 MAR 17	CAD NAME	T25169A	SIZE	A	CODE IDENT. NO.	06090	DWG. NO.	D-500-0255-581/582-1	REV
THIRD ANGLE PROJECTION			DO NOT SCALE THIS DRAWING			SHEET 1 OF 2						

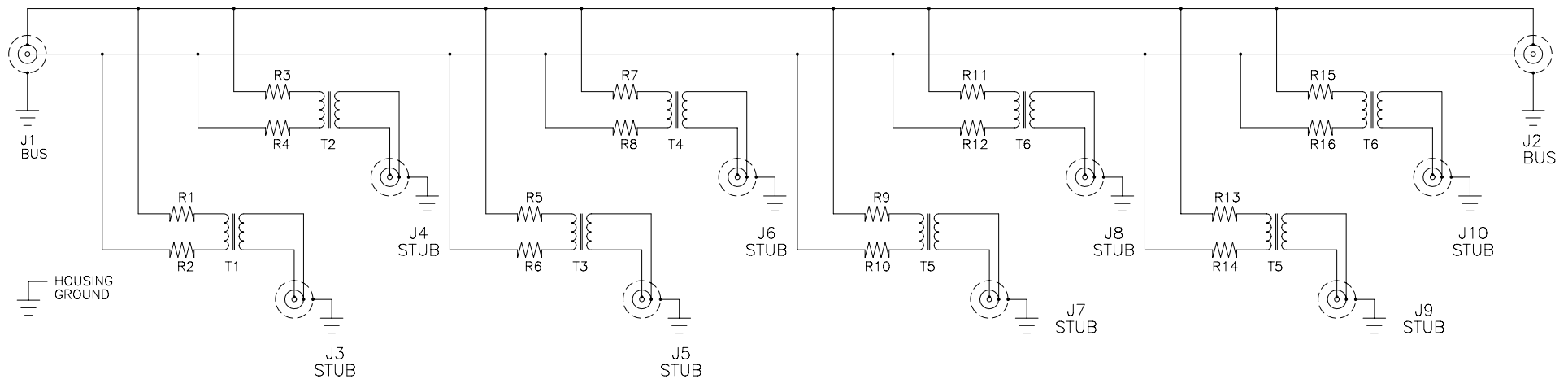
1.0 INTERMATEABILITY

BUS JACKS J1 AND J2	MATING PLUG
DK-621-0412-P (8340711-00-01)	DK-621-0411-S (8340709-00-02)

STUB JACK J3 THRU J10	MATING PLUG
DK-621-0412-S (8340711-00-02)	DK-621-0411-P (8340709-00-01)

2.0 PERFORMANCE

- 2.1 THIS COUPLER IS DESIGNED TO MEET THE APPLICABLE FUNCTIONAL REQUIREMENT OF RAYCHEM SPECIFICATION D-6021 AND USAF 8912007.
- 2.2 THE COUPLER SHALL OPERATE UNDER ANY OF THE ENVIRONMENTAL SERVICE CONDITIONS AS SPECIFIED IN MIL-E-5400, CLASS ∇ UPGRADED TO 125°C CONTINUOUS OPERATION.
- 2.3 ALTITUDE: SEA LEVEL TO 75,000 FEET

SCHEMATIC DIAGRAM

If this document is printed it becomes uncontrolled.
Check for the latest revision.

CAD NAME: T25169B	DRAWN J.B.K.	DATE 92 FEB 25	SIZE A	CODE IDENT. NO. 06090	DWG. NO. D-500-0255-581/582-1	REV B
	ISSUED	DATE	DO NOT SCALE THIS DRAWING			SHEET 2 OF 2