

3 Amp V_{TT} Termination Regulator DDR1, DDR2, DDR3, LPDDR3, DDR4

NCP51402



DFN10, 3x3, 0.5P
CASE 506CL

The NCP51402 is a source/sink Double Data Rate (DDR) termination regulator specifically designed for low input voltage and low-noise systems where space is a key consideration.

The NCP51402 maintains a fast transient response and only requires a minimum output capacitance of 20 μ F. The NCP51402 supports a remote sensing function and all power requirements for DDR V_{TT} bus termination. The NCP51402 can also be used in low-power chipsets and graphics processor cores that require dynamically adjustable output voltages.

The NCP51402 is available in the thermally-efficient DFN10 Exposed Pad package, and is rated both Green and Pb-free.

Features

- Input Voltage Rails: Supports 2.5 V, 3.3 V and 5 V Rails
- PV_{CC} Voltage Range: 1.1 to 3.5 V
- Integrated Power MOSFETs
- Fast Load-Transient Response
- P_{GOOD} – Logic output pin to Monitor V_{TT} Regulation
- EN – Logic input pin for Shutdown mode
- V_{RI} – Reference Input Allows for Flexible Input Tracking Either Directly or Through Resistor Divider
- Remote Sensing (V_{TTS})
- Built-in Under Voltage Lockout and Over Current Limit
- Thermal Shutdown
- Small, Low-Profile 10-pin, 3x3 DFN Package
- These Devices are Pb-Free and are RoHS Compliant

Applications

- DDR Memory Termination
- Desktop PC's, Notebooks, and Workstations
- Servers and Networking equipment
- Telecom/Datacom, GSM Base Station
- Graphics Processor Core Supplies
- Set Top Boxes, LCD-TV/PDP-TV, Copier/Printers
- Chipset/RAM Supplies as Low as 0.5 V
- Active Bus Termination

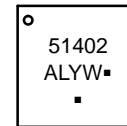
DDR3/DDR4 SELECTOR GUIDE

| | VTT Startup | DDR Level | VTT Droop | VTT Capacitor |
|----------|-------------|-----------|-----------|---------------|
| NCP51400 | Soft Start | 3 / 4 | Yes | Cer/Poly |
| NCP51401 | <35usec | 3 / 4 | Yes | Cer/Poly |
| NCP51402 | <35usec | 4 | No * | Cer/Poly |
| NCP51403 | <35usec | 4 | No * | Cer/PM=45° |

* Recommended for New DDR4 Designs

(see notes on page 7)

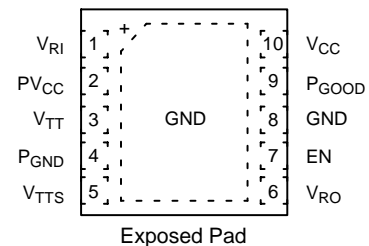
MARKING DIAGRAM



- 51402 = Specific Device Code
- A = Assembly Location
- L = Wafer Lot
- Y = Year
- W = Work Week
- = Pb-Free Package

(Note: Microdot may be in either location)

PIN CONNECTION



ORDERING INFORMATION

| Device | Package | Shipping† |
|---------------|-----------------|--------------------|
| NCP51402MNTXG | DFN10 (Pb-Free) | 3000 / Tape & Reel |

†For information on tape and reel specifications, including part orientation and tape sizes, please refer to our Tape and Reel Packaging Specifications Brochure, BRD8011/D.

NCP51402

PIN FUNCTION DESCRIPTION

| Pin Number | Pin Name | Pin Function |
|------------|-------------------|--|
| 1 | V _{RI} | V _{TT} External Reference Input (set to V _{DDQ} / 2 thru resistor network). |
| 2 | PV _{CC} | Power input. Internally connected to the output source MOSFET. |
| 3 | V _{TT} | Power Output of the Linear Regulator. |
| 4 | P _{GND} | Power Ground. Internally connected to the output sink MOSFET. |
| 5 | V _{TTS} | V _{TT} Sense Input. The V _{TTS} pin provides accurate remote feedback sensing of V _{TT} . Connect V _{TTS} to the remote DDR termination bypass capacitors. |
| 6 | V _{RO} | Independent Buffered V _{TT} Reference Output. Sources and sinks over 5 mA. Connect to GND thru 0.1 μF ceramic capacitor. |
| 7 | EN | Shutdown Control Input. CMOS compatible input. Logic high = enable, logic low = shutdown. Connect to V _{DDQ} for normal operation. |
| 8 | GND | Common Ground. |
| 9 | P _{GOOD} | Power Good (Open Drain output). |
| 10 | V _{CC} | Analog power supply input. Connect to GND thru a 1 – 4.7 μF ceramic capacitor. |
| | THERMAL PAD | Pad for thermal connection. The exposed pad must be connected to the ground plane using multiple vias for maximum power dissipation performance. |

ABSOLUTE MAXIMUM RATINGS

| Rating | Symbol | Value | Unit |
|--|--------------------|--------------|------|
| V _{CC} , PV _{CC} , V _{TT} , V _{TTS} , V _{RI} , V _{RO} (Note 1) | | -0.3 to 6.0 | V |
| EN, P _{GOOD} (Note 1) | | -0.3 to 6.0 | V |
| P _{GND} to GND (Note 1) | | -0.3 to +0.3 | V |
| Storage Temperature | T _{STG} | -55 to 150 | °C |
| Operating Junction Temperature Range | T _J | 150 | °C |
| ESD Capability, Human Body Model (Note 2) | ESD _{HBM} | 2000 | V |

Stresses exceeding those listed in the Maximum Ratings table may damage the device. If any of these limits are exceeded, device functionality should not be assumed, damage may occur and reliability may be affected.

1. Refer to ELECTRICAL CHARACTERISTICS and APPLICATION INFORMATION for Safe Operating Area.
2. This device series incorporates ESD protection and is tested by the following method:
 ESD Human Body Model tested per AEC-Q100-002 (EIA/JESD22-A114)
 ESD Machine Model tested per AEC-Q100-003 (EIA/JESD22-A115)
 Latchup Current Maximum Rating tested per JEDEC standard: JESD78.

DISSIPATION RATINGS

| Package | T _A = 25°C Power Rating | Derating Factor above T _A = 25°C | T _A = +85°C Power Rating |
|------------|------------------------------------|---|-------------------------------------|
| 10-Pin DFN | 1.92 W | 19 mW/°C | 0.79 W |

RECOMMENED OPERATING CONDITIONS

| Rating | Symbol | Value | Unit |
|--------------------------------|---|--------------|------|
| Supply Voltage | V _{CC} | 2.375 to 5.5 | V |
| Voltage Range | V _{RO} | -0.1 to 1.8 | V |
| | V _{RI} | 0.5 to 1.8 | |
| | PV _{CC} , V _{TT} , V _{TTS} , EN, P _{GOOD} | -0.1 to 3.5 | |
| | P _{GND} | -0.1 to +0.1 | |
| Operating Free-Air Temperature | T _A | -40 to +125 | °C |

Functional operation above the stresses listed in the Recommended Operating Ranges is not implied. Extended exposure to stresses beyond the Recommended Operating Ranges limits may affect device reliability.

NCP51402

ELECTRICAL CHARACTERISTICS

$-40^{\circ}\text{C} \leq T_A \leq 125^{\circ}\text{C}$; $V_{CC} = 3.3\text{ V}$; $PV_{CC} = 1.8\text{ V}$; $V_{RI} = V_{TTS} = 0.9\text{ V}$; $EN = V_{CC}$; $C_{OUT} = 3 \times 10\ \mu\text{F}$ (Ceramic); unless otherwise noted.

| Parameter | Conditions | Symbol | Min | Typ | Max | Units |
|-----------|------------|--------|-----|-----|-----|-------|
|-----------|------------|--------|-----|-----|-----|-------|

SUPPLY CURRENT

| | | | | | | |
|----------------------------|---|-----------------|------|-----|-------|---------------|
| V_{CC} Supply Current | $T_A = +25^{\circ}\text{C}$, $EN = 3.3\text{ V}$, No Load | I_{VCC} | | 0.7 | 1 | mA |
| V_{CC} Shutdown Current | $T_A = +25^{\circ}\text{C}$, $EN = 0\text{ V}$, $V_{RI} = 0\text{ V}$, No Load | $I_{VCC\ SHD}$ | | 65 | 80 | μA |
| | $T_A = +25^{\circ}\text{C}$, $EN = 0\text{ V}$, $V_{RI} > 0.4\text{ V}$, No Load | | | 200 | 400 | |
| V_{CC} UVLO Threshold | Wake-up, $T_A = +25^{\circ}\text{C}$ | V_{UVLO} | 2.15 | 2.3 | 2.375 | V |
| | Hysteresis | | 50 | | | |
| PV_{CC} Supply Current | $T_A = +25^{\circ}\text{C}$, $EN = 3.3\text{ V}$, No Load | I_{PVCC} | | 1 | 50 | μA |
| PV_{CC} Shutdown Current | $T_A = +25^{\circ}\text{C}$, $EN = 0\text{ V}$, No Load | $I_{PVCC\ SHD}$ | | 0.1 | 50 | μA |

V_{TT} OUTPUT

| | | | | | | |
|--|--|-----------|-----|-------|-----|---------------|
| V_{TT} Output DC Voltage | $PV_{CC} = 1.50\text{ V}$, $V_{RO} = 0.75\text{ V}$, $I_{TT} = 0\text{ A}$ | V_{OS} | | 0.75 | | mV |
| | $PV_{CC} = 1.35\text{ V}$, $V_{RO} = 0.675\text{ V}$, $I_{TT} = 0\text{ A}$ | | | 0.675 | | |
| | $PV_{CC} = 1.20\text{ V}$, $V_{RO} = 0.60\text{ V}$, $I_{TT} = 0\text{ A}$ | | | 0.60 | | |
| V_{TT} Output Tolerance to V_{RO} $-2\text{ A} < I_{TT} < 2\text{ A}$ | $PV_{CC} = 1.50\text{ V}$, $V_{RO} = 0.75\text{ V}$ | | -18 | | +18 | mV |
| | $PV_{CC} = 1.20\text{ V}$, $V_{RO} = 0.60\text{ V}$ $PV_{CC} = 1.35\text{ V}$, $V_{RO} = 0.675\text{ V}$ | | -20 | | +20 | |
| Source Current Limit | $V_{TTS} = 90\% * V_{RO}$ | | 3 | | 4.5 | A |
| Sink Current Limit | $V_{TTS} = 110\% * V_{RO}$ | | 3.5 | | 5.5 | A |
| V_{TT} Rise Time | Enable to $V_{TT} = 95\%$ of V_{RI} , V_{TT} has $100\ \mu\text{F}$ ceramic cap load, $V_{RI} = 600\text{ mV}$ | | | 25 | 35 | μs |
| Discharge MOSFET On-resistance | $V_{RI} = 0\text{ V}$, $V_{TT} = 0.3\text{ V}$, $EN = 0\text{ V}$, $T_A = +25^{\circ}\text{C}$ | R_{DIS} | | 18 | 25 | Ω |

V_{RI} – INPUT REFERENCE

| | | | | | | |
|-----------------------------|---------------------|----------------|-----|-----|-----|---------------|
| V_{RI} Voltage Range | | V_{RI} | 0.5 | | 1.8 | V |
| V_{RI} Input-bias Current | $EN = 3.3\text{ V}$ | I_{RI} | | | +1 | μA |
| V_{RI} UVLO Voltage | V_{RI} rising | $V_{RI\ UVLO}$ | 360 | 390 | 435 | mV |
| | Hysteresis | $V_{RI\ HYS}$ | 60 | | | |

V_{RO} – OUTPUT REFERENCE

| | | | | | | |
|--|---|--|----------|----|-----|----|
| V_{RO} Voltage | | | V_{RI} | | | V |
| V_{RO} Voltage Tolerance to V_{RI} | $I_{RO} = \pm 10\text{ mA}$, $0.6\text{ V} \leq V_{RI} \leq 1.25\text{ V}$ | | -15 | | +15 | mV |
| V_{RO} Source Current Limit | $V_{RO} = 0\text{ V}$ | | 10 | 40 | | mA |
| V_{RO} Sink Current Limit | $V_{RO} = 0\text{ V}$ | | 10 | 40 | | mA |

P_{GOOD} – POWERGOOD COMPARATOR

| | | | | | | |
|---------------------------------|---|--|--------|------|--------|---------------|
| P_{GOOD} Lower Threshold | (with respect to V_{RO}) | | -23.5% | -20% | -17.5% | V/V |
| P_{GOOD} Upper Threshold | (with respect to V_{RO}) | | 17.5% | 20% | 23.5% | |
| P_{GOOD} Hysteresis | | | 5% | | | |
| P_{GOOD} Start-up Delay | Start-up rising edge, V_{TTS} within 15% of V_{RO} | | 2 | | | ms |
| P_{GOOD} Leakage Current | $V_{TTS} = V_{RI}$ ($P_{GOOD} = \text{True}$) $P_{GOOD} = V_{CC} + 0.2\text{ V}$ | | | | 1 | μA |
| $P_{GOOD} = \text{False}$ Delay | V_{TTS} is beyond $\pm 20\%$ P_{GOOD} trip thresholds | | 10 | | | μs |
| P_{GOOD} Output Low Voltage | $I_{GOOD} = 4\text{ mA}$ | | | | 0.4 | V |

NCP51402

ELECTRICAL CHARACTERISTICS

$-40^{\circ}\text{C} \leq T_A \leq 125^{\circ}\text{C}$; $V_{CC} = 3.3\text{ V}$; $PV_{CC} = 1.8\text{ V}$; $V_{RI} = V_{TTS} = 0.9\text{ V}$; $EN = V_{CC}$; $C_{OUT} = 3 \times 10\ \mu\text{F}$ (Ceramic); unless otherwise noted.

| Parameter | Conditions | Symbol | Min | Typ | Max | Units |
|-----------|------------|--------|-----|-----|-----|-------|
|-----------|------------|--------|-----|-----|-----|-------|

EN – ENABLE LOGIC

| | | | | | | |
|-----------------------|-------------------------------------|-------------|-----|--|-----|---------------|
| Logic Input Threshold | EN Logic high | V_{IH} | 1.7 | | | V |
| | EN Logic low | V_{IL} | | | 0.3 | |
| Hysteresis Voltage | EN pin | V_{ENHYS} | 0.5 | | | V |
| Logic Leakage Current | EN pin, $T_A = +25^{\circ}\text{C}$ | I_{LEAK} | -1 | | +1 | μA |

THERMAL SHUTDOWN

| | | | | | | |
|------------------------------|--|----------|-----|--|--|--------------------|
| Thermal Shutdown Temperature | | T_{SD} | 150 | | | $^{\circ}\text{C}$ |
| Thermal Shutdown Hysteresis | | T_{SH} | 25 | | | $^{\circ}\text{C}$ |

Product parametric performance is indicated in the Electrical Characteristics for the listed test conditions, unless otherwise noted. Product performance may not be indicated by the Electrical Characteristics if operated under different conditions.

NCP51402

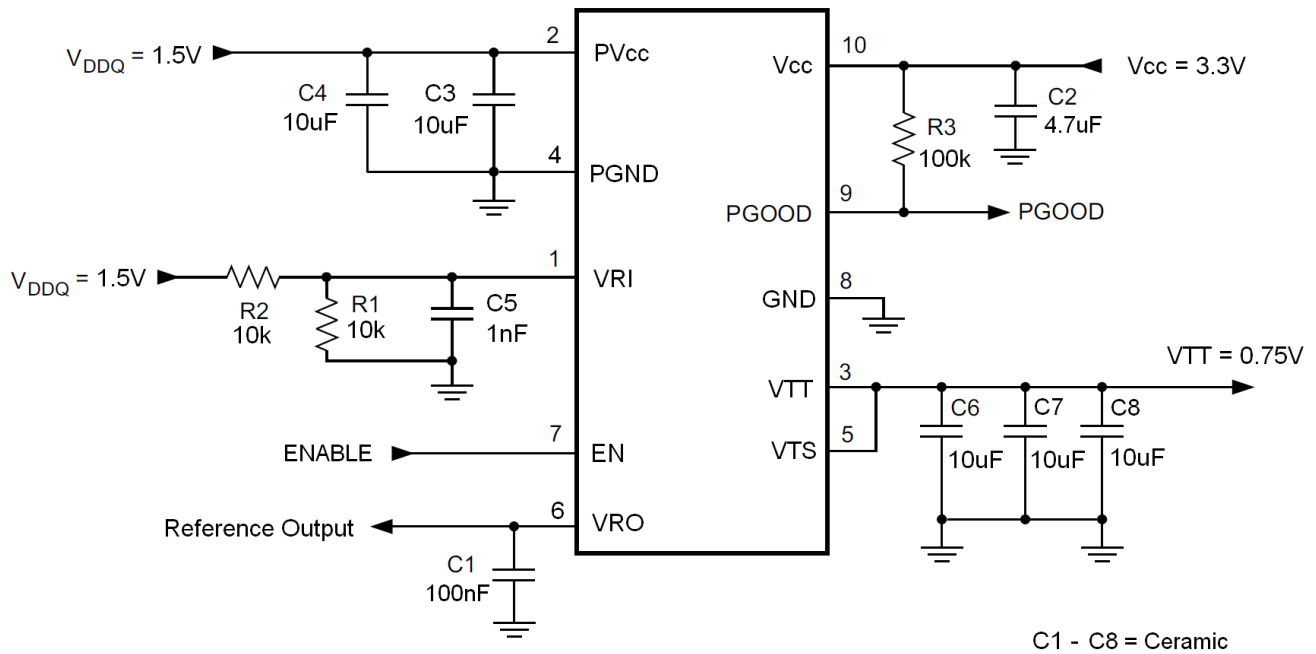


Figure 1. Typical DDR-3 Application Schematic

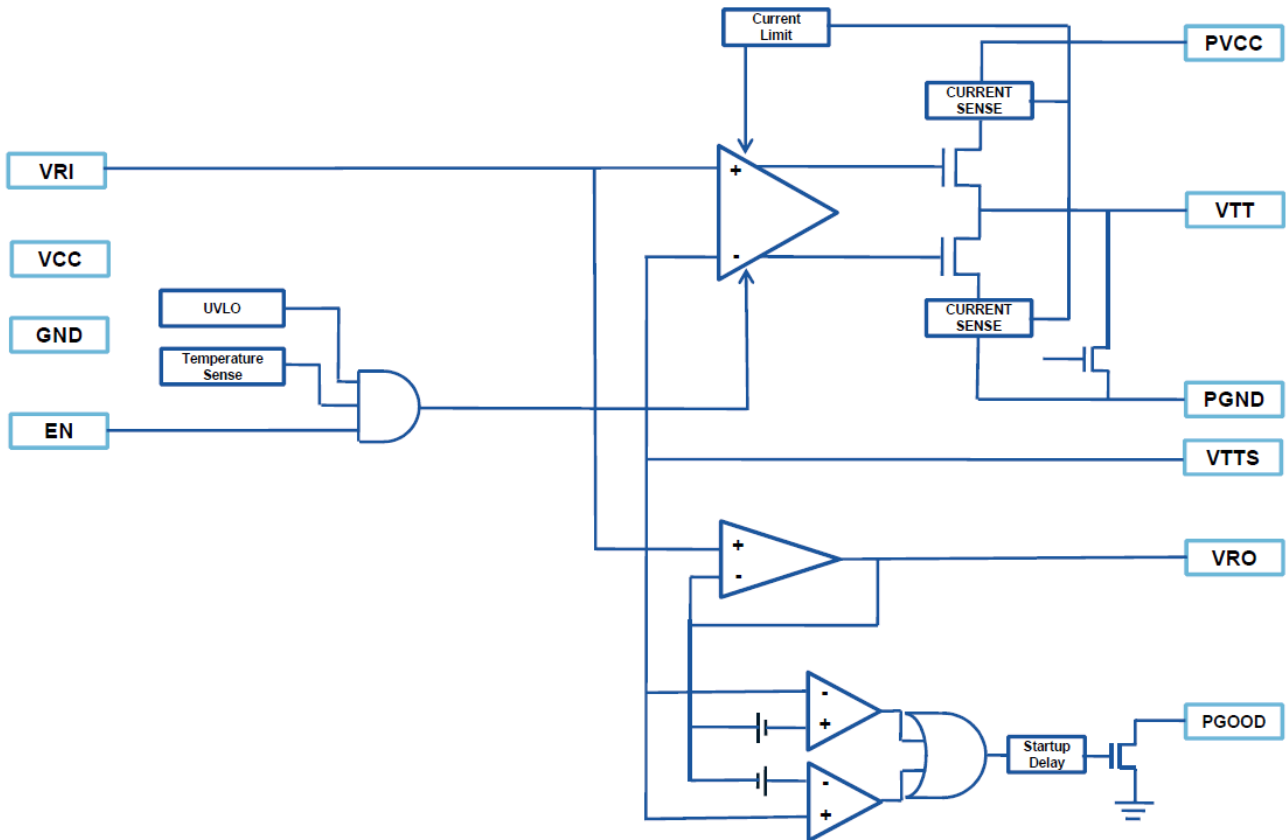


Figure 2. Block Diagram

NCP51402

General

The NCP51402 is a sink/source tracking termination regulator specifically designed for low input voltage and low external component count systems where space is a key application parameter. The NCP51402 integrates a high-performance, low-dropout (LDO) linear regulator that is capable of both sourcing and sinking current. The LDO regulator employs a fast feedback loop so that small ceramic capacitors can be used to support the fast load transient response. To achieve tight regulation with minimum effect of trace resistance, a remote sensing terminal, V_{TTS} , should be connected to the positive terminal of the output capacitors as a separate trace from the high current path from V_{TT} .

V_{RI} – Generation of Internal Voltage Reference

The output voltage, V_{TT} , is regulated to V_{RO} . When V_{RI} is configured for standard DDR termination applications, V_{RI} can be set by an external equivalent ratio voltage divider connected to the memory supply bus (V_{DDQ}). The NCP51402 supports V_{RI} voltage from 0.5 V to 1.8 V, making it versatile and ideal for many types of low-power LDO applications.

V_{RO} – Reference Output

When it is configured for DDR termination applications, V_{RO} generates the DDR V_{TT} reference voltage for the memory application. It is capable of supporting both a sourcing and sinking load of 10 mA. V_{RO} becomes active when V_{RI} voltage rises to 435 mV and V_{CC} is above the UVLO threshold. When V_{RO} is less than 360 mV, it is disabled and subsequently discharges to GND through an internal 10 k Ω MOSFET. V_{RO} is independent of the EN pin state.

EN – Enable Control

When EN is driven high, the NCP51402 V_{TT} regulator begins normal operation. When EN is driven low, V_{TT} is discharged to GND through an internal 18- Ω MOSFET. V_{REF} remains on when EN is driven low.

P_{GOOD} – PowerGood

The NCP51402 provides an open-drain P_{GOOD} output that goes high when the V_{TT} output is within $\pm 20\%$ of V_{RO} . P_{GOOD} de-asserts within 10 μ s after the output exceeds the limits of the PowerGood window. During initial V_{TT} startup, P_{GOOD} asserts high 2 ms after the V_{TT} enters power good window. Because P_{GOOD} is an open-drain output, a 100 k Ω , pull-up resistor between P_{GOOD} and a stable active supply voltage rail is required.

The LDO has a constant over-current limit (OCL). Note that the OCL level reduces by one-half when the output voltage is not within the power good window. This reduction is non-latch protection. For V_{CC} under-voltage lockout (UVLO) protection, the NCP51402 monitors V_{CC} voltage. When the V_{CC} voltage is lower than the UVLO threshold voltage, both the V_{TT} and V_{RO} regulators are powered off. This shutdown is also non-latch protection.

Thermal Shutdown with Hysteresis

If the NCP51402 is to operate in elevated temperatures for long durations, care should be taken to ensure that the maximum operating junction temperature is not exceeded. To guarantee safe operation, the NCP51402 provides on-chip thermal shutdown protection. When the chip junction temperature exceeds 150°C, the part will shutdown. When the junction temperature falls back to 125°C, the device resumes normal operation. If the junction temperature exceeds the thermal shutdown threshold then the V_{TT} and V_{RO} regulators are both shut off, discharged by the internal discharge MOSFETs. The shutdown is a non-latch protection.

Tracking Startup and Shutdown

The NCP51402 also supports tracking startup and shutdown when EN is tied directly to the system bus and not used to turn on or turn off the device. During tracking startup, V_{TT} follows V_{RO} once V_{RI} voltage is greater than 435 mV. V_{RI} follows the rise of V_{DDQ} memory supply rail via a voltage divider. P_{GOOD} is asserted 2 ms after V_{TT} is within $\pm 20\%$ of V_{RO} . During tracking shutdown, V_{TT} falls following V_{RO} until V_{RO} reaches 360 mV. Once V_{RO} falls below 360 mV, the internal discharge MOSFETs are turned on and quickly discharge both V_{RO} and V_{TT} to GND. P_{GOOD} is de-asserted once V_{TT} is beyond the $\pm 20\%$ range of V_{RO} .

DDR3/DDR4 SELECTOR GUIDE

| | VTT Startup | DDR Level | VTT Droop | VTT Capacitor |
|----------|-------------|-----------|-----------|---------------|
| NCP51400 | Soft Start | 3 / 4 | Yes | Cer/Poly |
| NCP51401 | <35usec | 3 / 4 | Yes | Cer/Poly |
| NCP51402 | <35usec | 4 | No* | Cer/Poly |
| NCP51403 | <35usec | 4 | No* | Cer/PM=45° |

* Recommended for New DDR4 Designs

VTT Startup Time

In order to speed up the time it takes a modern computer to Boot-up or Resume after Stand-by, some newer motherboard specs require VTT to rise from 0 V to 95% of VTT in less than 35 μ sec. This new requirement is met in the new ON Semiconductor NCP51401, NCP51402 and NCP51403 devices.

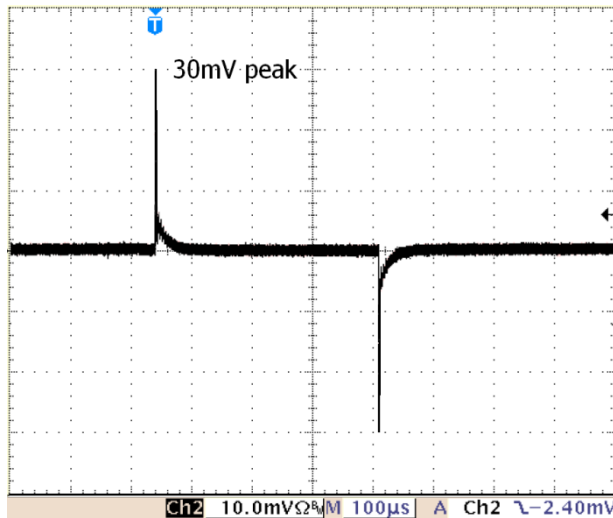


Figure 3.

Legacy DDR2/3, DDR4 and Droop

When the popular, now industry-standard, 51200-compatible devices were first introduced, the PC memory industry was transitioning from DDR2 (VTT = 900 mV) to DDR3 (VTT = 750 mV) and a value of ± 14 mV of Droop per ± 1.5 amps of DC current was designed-in. This value of Droop was appropriate for the DDR2 and DDR3 memory in use at the time, but this amount of Droop has now become excessive for DDR4. For example for DDR4 with a VTT voltage of 600 mV, the 5% error tolerance is ± 30 mV, which leaves no transient-response margin for a DC load of ± 2 amps. This excessive DDR2/3 Droop issue of using 51200 devices in newer DDR4 applications has been solved in the new ON Semiconductor NCP51402 and NCP51403 devices, which have no Droop for improved, high-current DDR4 transient response.

VTT Droop

Droop is a technique to reduce error voltage due to a transient, or as a design tradeoff, to reduce system cost for a given transient magnitude, by using smaller, less expensive capacitors. Figure 3 shows the transient response in a system without droop and is showing a peak-to-peak error voltage of ± 30 mV. Figure 4 shows the same magnitude of transient response, but this time the regulation is performed *with* droop. For example the magnitude of the transient in Figure 4 is $+30$ mV = $+20$ mV - (-10 mV) which is the same magnitude as in Figure 3, but since the output voltage is allowed to sag 10 mV when loaded (as opposed to the “perfect” Load Regulation, i.e. 0 mV of VTT output voltage sag as shown in Figure 3) then this same $+30$ mV transient starts at -10 mV and now only peaks to $+20$ mV. The net result is that with 10 mV of droop, the overall, peak-to-peak error voltage has been reduced from ± 30 mV to ± 20 mV.



Figure 4.

VTT Capacitor Selection

Many 51200-compatible devices have specified VTT capacitor ESR requirements and must be loaded with at least 20 μ F of ceramic capacitance in order to guarantee stability. In contrast, the NCP51400, NCP51401 and NCP51402 were all designed to be stable with a wide range of ESR and can use both ceramic and higher-ESR, polymer capacitors.

Extending the NCP5140x family of parts, in applications that have specified phase margin requirements, we have introduced the NCP51403 which has 45° of phase margin when VTT is loaded with a ceramic capacitance of 40 μ F. However just like our competitor’s 51200-compatible devices, the NCP51403 cannot be loaded solely with polymer capacitors because the 45° phase margin reduces the ESR-stability range of the VTT capacitor.

MECHANICAL CASE OUTLINE

PACKAGE DIMENSIONS

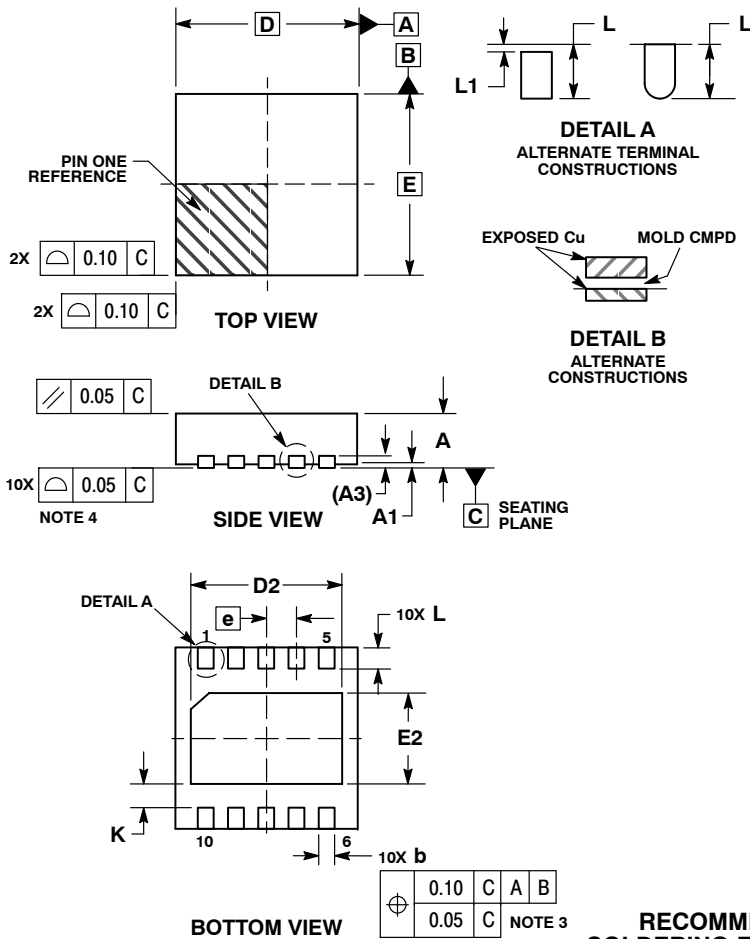
ON Semiconductor®



SCALE 2:1

DFN10, 3x3, 0.5P
CASE 506CL
ISSUE O

DATE 02 APR 2013

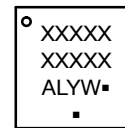


NOTES:

1. DIMENSIONING AND TOLERANCING PER ASME Y14.5M, 1994.
2. CONTROLLING DIMENSION: MILLIMETERS.
3. DIMENSION b APPLIES TO PLATED TERMINAL AND IS MEASURED BETWEEN 0.25 AND 0.30 MM FROM THE TERMINAL TIP.
4. COPLANARITY APPLIES TO THE EXPOSED PAD AS WELL AS THE TERMINALS.
5. TERMINAL b MAY HAVE MOLD COMPOUND MATERIAL ALONG SIDE EDGE. MOLD FLASHING MAY NOT EXCEED 30 MICRONS ONTO BOTTOM SURFACE OF TERMINAL b.
6. FOR DEVICE OPN CONTAINING W OPTION, DETAIL B ALTERNATE CONSTRUCTION IS NOT APPLICABLE.

| MILLIMETERS | | |
|-------------|----------|------|
| DIM | MIN | MAX |
| A | 0.80 | 1.00 |
| A1 | 0.00 | 0.05 |
| A3 | 0.20 | REF |
| b | 0.20 | 0.30 |
| D | 3.00 BSC | |
| D2 | 2.40 | 2.60 |
| E | 3.00 BSC | |
| E2 | 1.40 | 1.60 |
| e | 0.50 BSC | |
| K | 0.25 | --- |
| L | 0.25 | 0.45 |
| L1 | 0.00 | 0.03 |

GENERIC MARKING DIAGRAM*

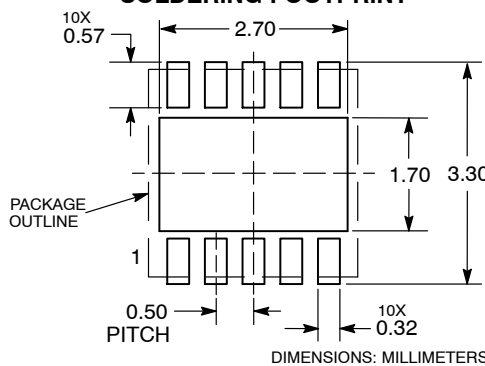


- A = Assembly Location
- L = Wafer Lot
- Y = Year
- W = Work Week
- = Pb-Free Package

(Note: Microdot may be in either location)

*This information is generic. Please refer to device data sheet for actual part marking. Pb-Free indicator, "G" or microdot "▪", may or may not be present.

RECOMMENDED SOLDERING FOOTPRINT*



DIMENSIONS: MILLIMETERS

*For additional information on our Pb-Free strategy and soldering details, please download the ON Semiconductor Soldering and Mounting Techniques Reference Manual, SOLDERRM/D.

| | | |
|------------------|------------------|--|
| DOCUMENT NUMBER: | 98AON88041E | Electronic versions are uncontrolled except when accessed directly from the Document Repository. Printed versions are uncontrolled except when stamped "CONTROLLED COPY" in red. |
| DESCRIPTION: | DFN10, 3X3, 0.5P | PAGE 1 OF 1 |

ON Semiconductor and ON are trademarks of Semiconductor Components Industries, LLC dba ON Semiconductor or its subsidiaries in the United States and/or other countries. ON Semiconductor reserves the right to make changes without further notice to any products herein. ON Semiconductor makes no warranty, representation or guarantee regarding the suitability of its products for any particular purpose, nor does ON Semiconductor assume any liability arising out of the application or use of any product or circuit, and specifically disclaims any and all liability, including without limitation special, consequential or incidental damages. ON Semiconductor does not convey any license under its patent rights nor the rights of others.

onsemi, **Onsemi**, and other names, marks, and brands are registered and/or common law trademarks of Semiconductor Components Industries, LLC dba "**onsemi**" or its affiliates and/or subsidiaries in the United States and/or other countries. **onsemi** owns the rights to a number of patents, trademarks, copyrights, trade secrets, and other intellectual property. A listing of **onsemi**'s product/patent coverage may be accessed at www.onsemi.com/site/pdf/Patent-Marking.pdf. **onsemi** reserves the right to make changes at any time to any products or information herein, without notice. The information herein is provided "as-is" and **onsemi** makes no warranty, representation or guarantee regarding the accuracy of the information, product features, availability, functionality, or suitability of its products for any particular purpose, nor does **onsemi** assume any liability arising out of the application or use of any product or circuit, and specifically disclaims any and all liability, including without limitation special, consequential or incidental damages. Buyer is responsible for its products and applications using **onsemi** products, including compliance with all laws, regulations and safety requirements or standards, regardless of any support or applications information provided by **onsemi**. "Typical" parameters which may be provided in **onsemi** data sheets and/or specifications can and do vary in different applications and actual performance may vary over time. All operating parameters, including "Typicals" must be validated for each customer application by customer's technical experts. **onsemi** does not convey any license under any of its intellectual property rights nor the rights of others. **onsemi** products are not designed, intended, or authorized for use as a critical component in life support systems or any FDA Class 3 medical devices or medical devices with a same or similar classification in a foreign jurisdiction or any devices intended for implantation in the human body. Should Buyer purchase or use **onsemi** products for any such unintended or unauthorized application, Buyer shall indemnify and hold **onsemi** and its officers, employees, subsidiaries, affiliates, and distributors harmless against all claims, costs, damages, and expenses, and reasonable attorney fees arising out of, directly or indirectly, any claim of personal injury or death associated with such unintended or unauthorized use, even if such claim alleges that **onsemi** was negligent regarding the design or manufacture of the part. **onsemi** is an Equal Opportunity/Affirmative Action Employer. This literature is subject to all applicable copyright laws and is not for resale in any manner.

PUBLICATION ORDERING INFORMATION

LITERATURE FULFILLMENT:

Email Requests to: orderlit@onsemi.com

onsemi Website: www.onsemi.com

TECHNICAL SUPPORT

North American Technical Support:

Voice Mail: 1 800-282-9855 Toll Free USA/Canada

Phone: 011 421 33 790 2910

Europe, Middle East and Africa Technical Support:

Phone: 00421 33 790 2910

For additional information, please contact your local Sales Representative