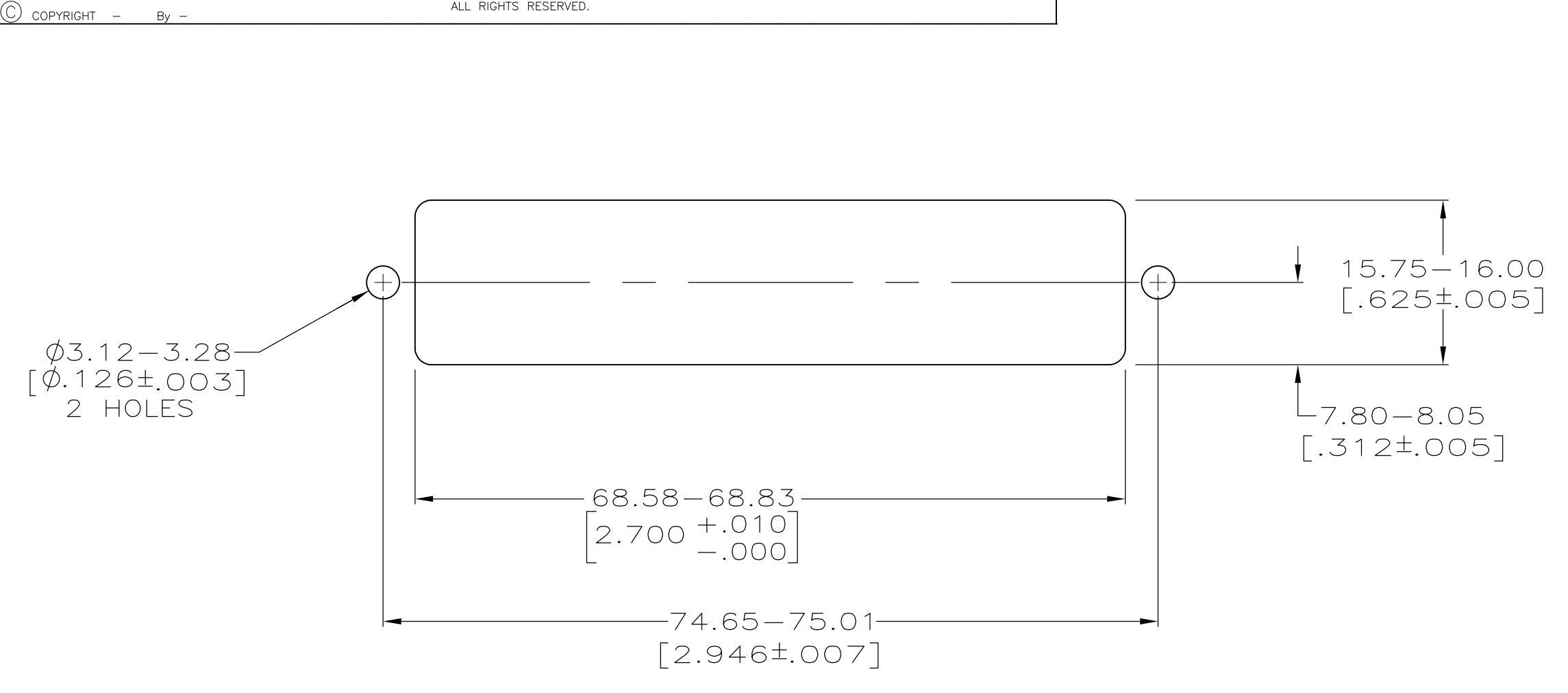
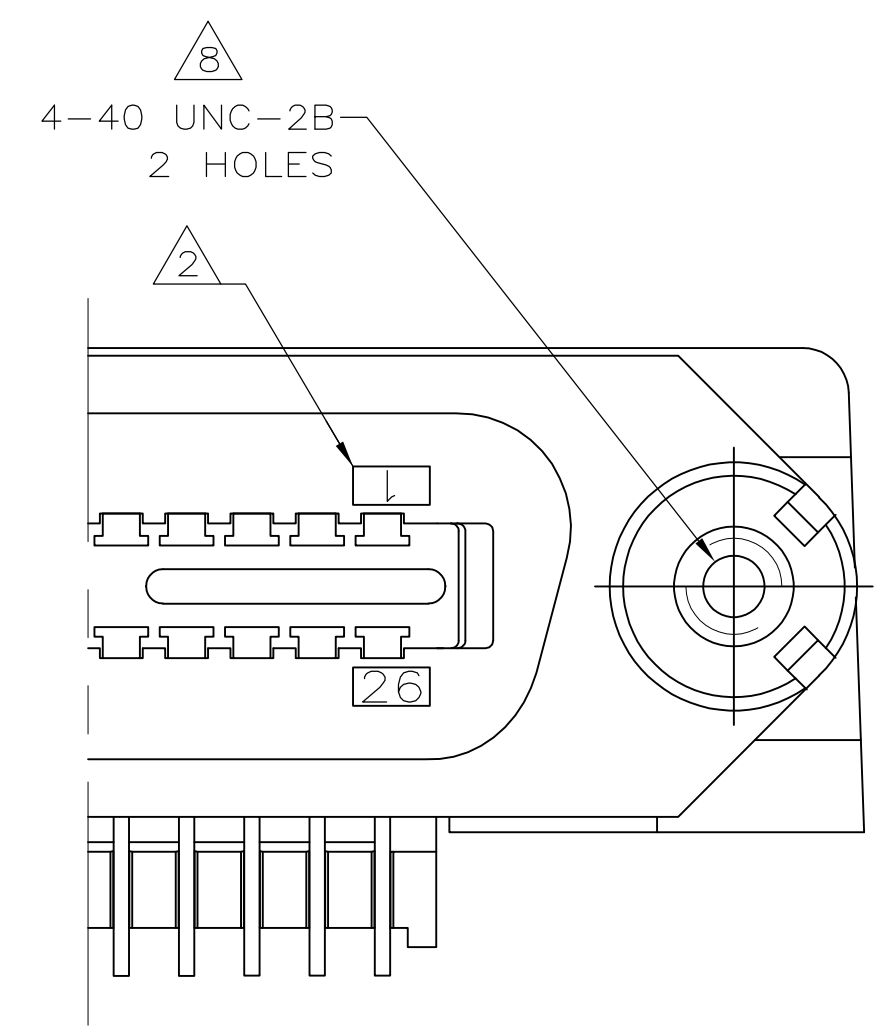


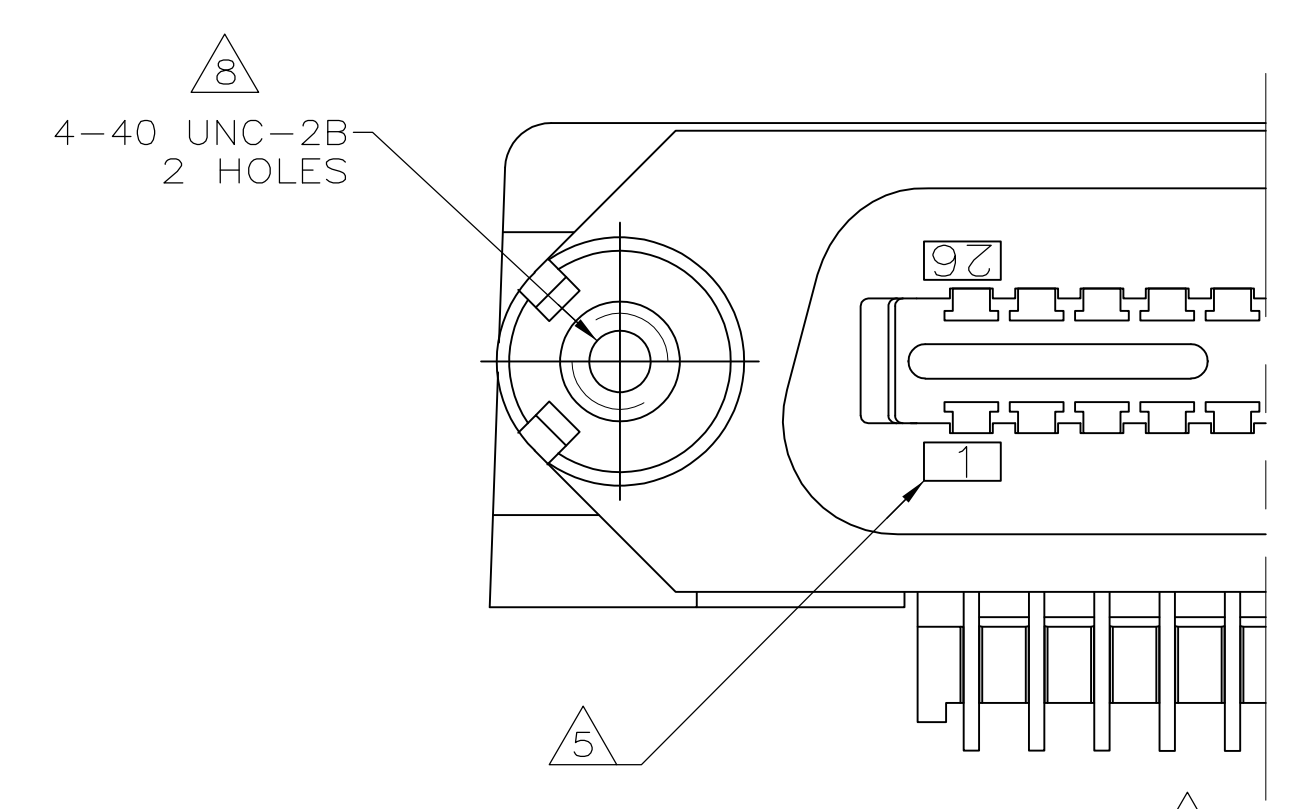
LOC		DIST		REVISIONS			
GP	00	REV	DATE	BY	CHK	APPV	REV
E1	REVISED PER ECO-11-005033	23MAR11	RK	HMR			



SUGGESTED REAR PANEL MOUNTING CUTOUT DIMENSIONS SCALE 2:1

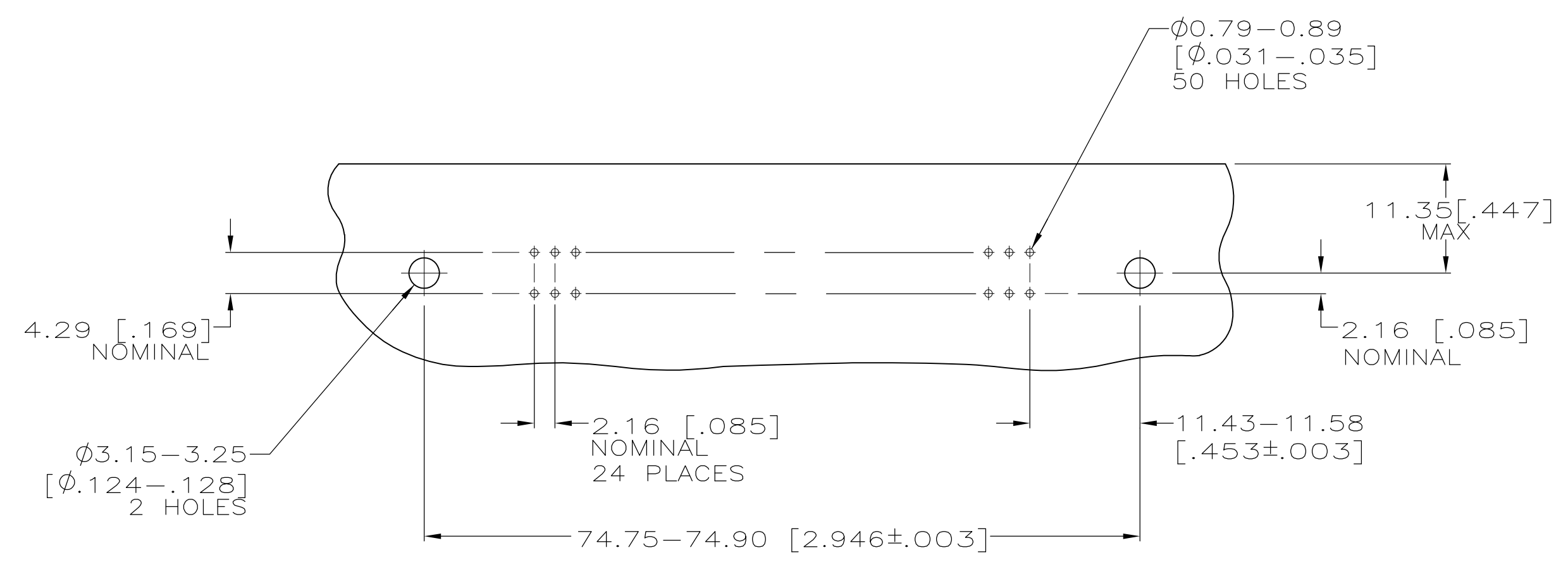
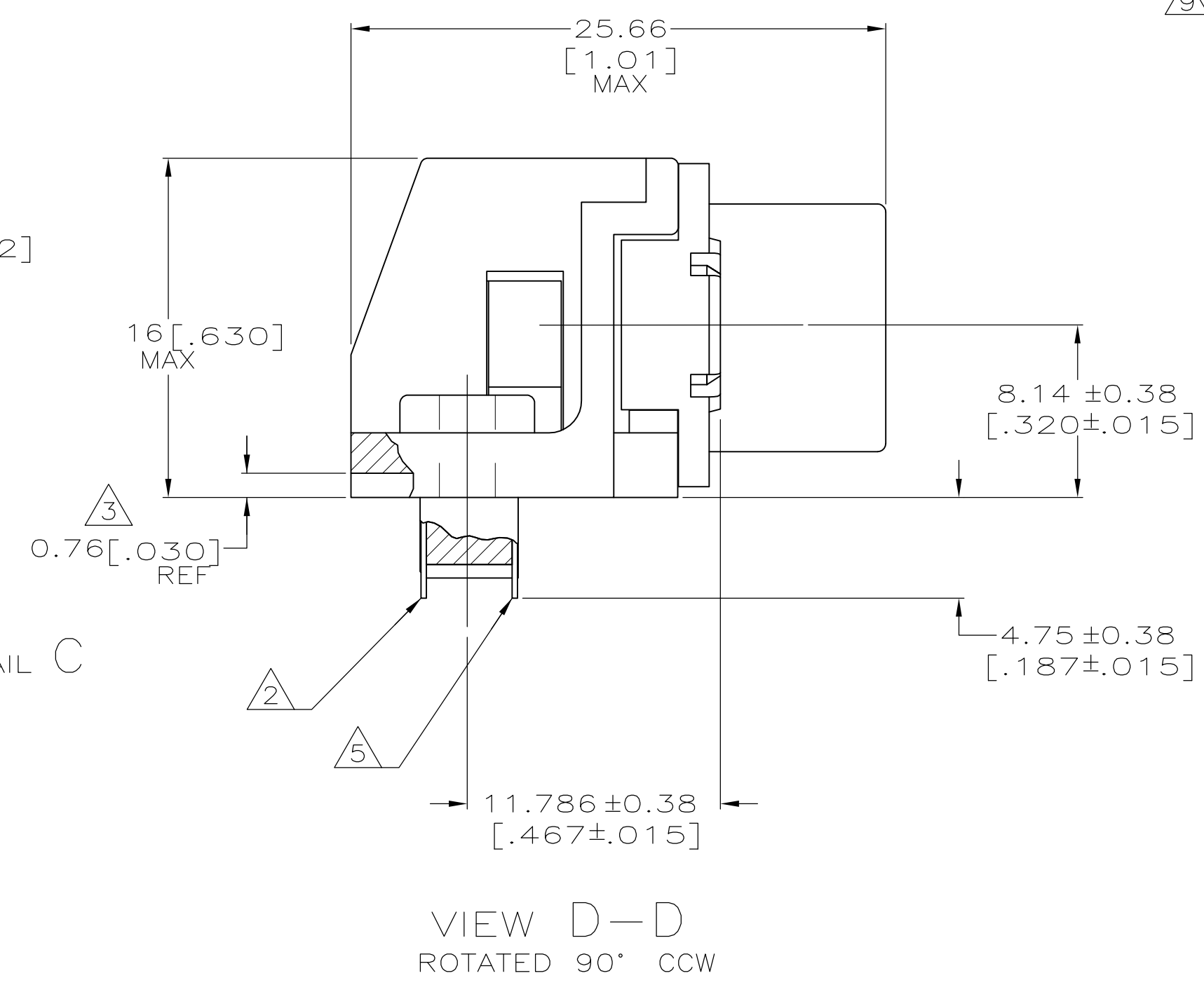
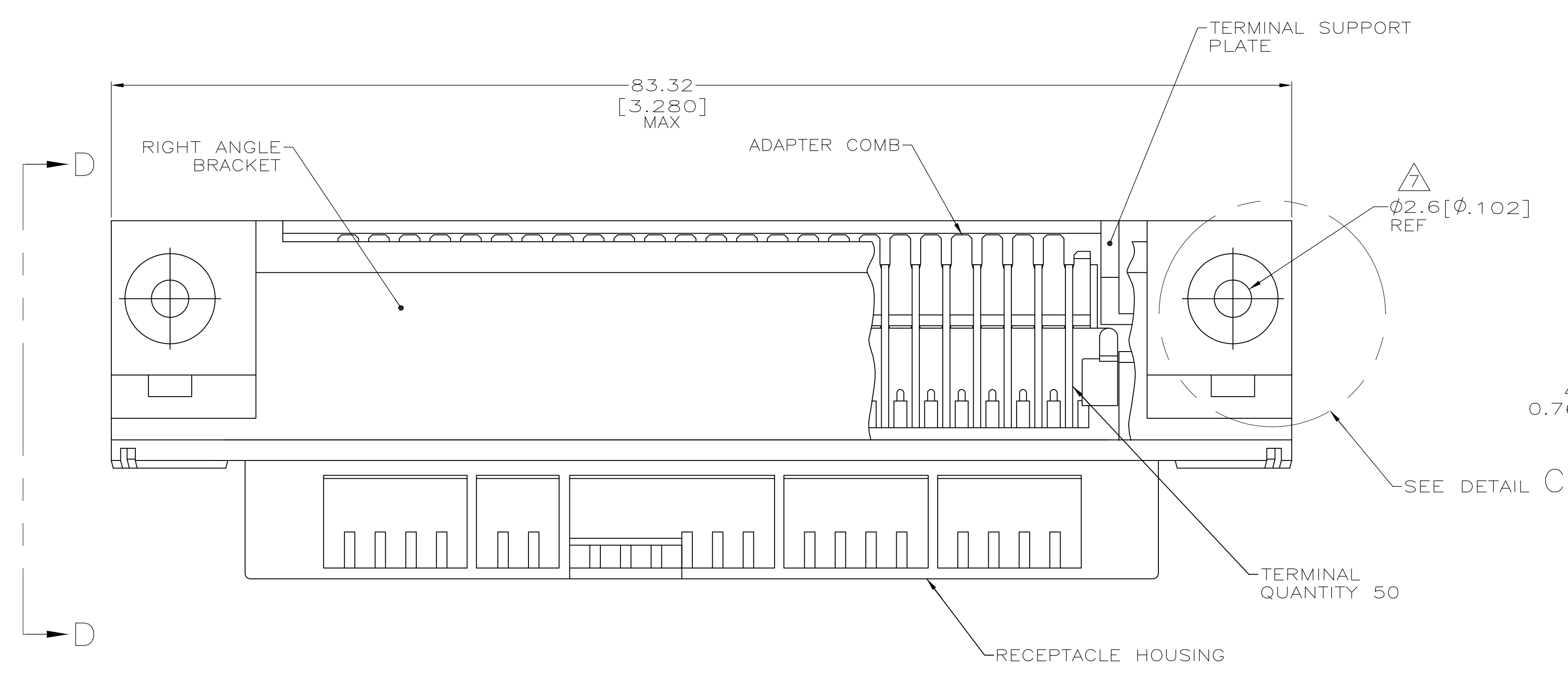


DETAIL A STANDARD ORIENTATION

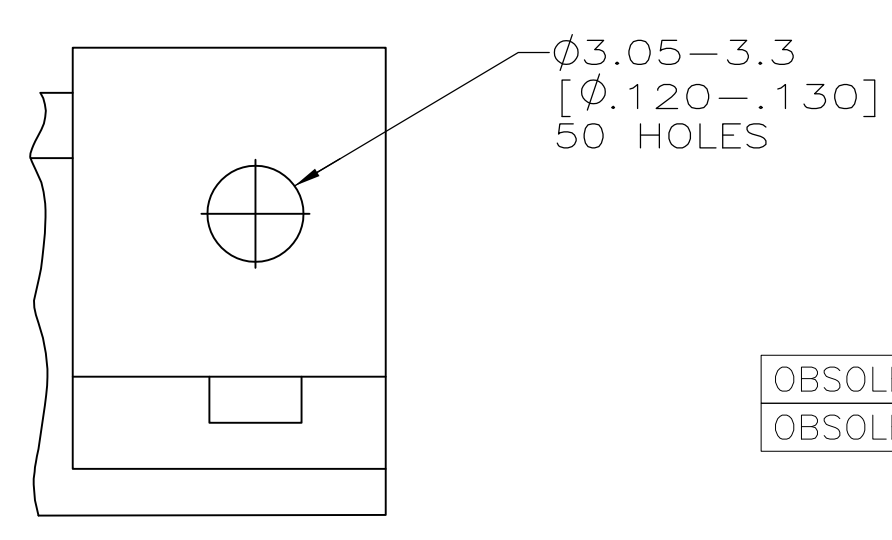


DETAIL B REVERSE ORIENTATION

- △ MATERIAL: HOUSING, BRACKET, PLATE & COMB - THERMOPLASTIC, BLACK, 94V-0 RATED. TERMINALS- HIGH STRENGTH COPPER ALLOY PLATED WITH EITHER 0.76 $\mu$ m [.000030] MIN GOLD PLATE OR GOLD FLASH OVER PALLADIUM NICKEL PLATE, 0.76 $\mu$ m [.000030] MIN TOTAL ON MATING SURFACE. 3.05 $\mu$ m [.000120] MIN TIN ON TAILS. ALL OVER 1.27 $\mu$ m [.000050] MIN NICKEL UNDERPLATE OVER ENTIRE TERMINAL. THREADED INSERT- #4-40 UNC, BRIGHT ZINC PLATED BRASS.
- △ TERMINAL 1 IS LOCATED IN THIS ROW FOR STANDARD ORIENTATION, 5552725-1, -2, -5 & -7.
- △ TERMINAL SUPPORT PLATE CLEARANCE FOR TERMINAL STRAIN RELIEF AND FLUX REMOVAL.
- △ MAXIMUM PANEL THICKNESS: 1.57[.062].
- △ TERMINAL 1 IS LOCATED IN THIS ROW FOR REVERSE ORIENTATION, 5552725-3 AND -6 ONLY.
- △ DETAILS "A" AND "B" ARE VIEWED FROM MATING SIDE OF RECEPTACLE ASSEMBLY.
- △ FOR USE WITH A NO.4 BT TYPE SELF-TAPPING SCREW.
- △ 5552725-1,-2 AND -3 ARE TAPPED 4-40; -5,-6 & -7 USE 4-40 THREADED INSERTS.
- △ INSERT SHALL WITHSTAND 8 INCH-POUNDS OF TORQUE WITHOUT CRACKING HOUSING OR LOOSENING.



SUGGESTED PRINTED CIRCUIT BOARD MOUNTING DIMENSIONS SCALE 2:1



DETAIL C (THRU-BOLT)

OBsolete	THREADED INSERT	THRU-BOLT(SEE DETAIL C)	SEE DETAIL A	5552725-7
OBsolete	THREADED INSERT	SELF-TAPPING	SEE DETAIL B	5552725-6
OBsolete	THREADED INSERT	SELF-TAPPING	SEE DETAIL A	5552725-5
	TAPPED HOLE	SELF-TAPPING	SEE DETAIL B	5552725-3
	TAPPED HOLE	THRU-BOLT(SEE DETAIL C)	SEE DETAIL A	5552725-2
	TAPPED HOLE	SELF-TAPPING	SEE DETAIL A	5552725-1
	THREAD TYPE	TYPE OF MOUNTING	DESCRIPTION	PART NUMBER

THIS DRAWING IS A CONTROLLED DOCUMENT.		DL DRUMMOND 18 AUG 97	STE TE Connectivity	
DIMENSIONS: mm [INCHES]		DL DRUMMOND 25 AUG 97	RECEPTACLE ASSEMBLY, 50 POSITION, RIGHT ANGLE, SELF TAPPING, CHAMP®	
TOLERANCES UNLESS OTHERWISE SPECIFIED:		R FLAHERTY 25 AUG 97	APPLICATION SPEC	
0 PLC	± .005		SIZE	CAGE CODE
1 PLC	± .005		WEIGHT	DRAWING NO
2 PLC	± .005		A1	00779
3 PLC	± 0.13[.005]		C=5552725	
4 PLC	± .005		CUSTOMER DRAWING	
ANGLES	± .005		SCALE 4:1 SHEET 1 OF 1 REV E1	