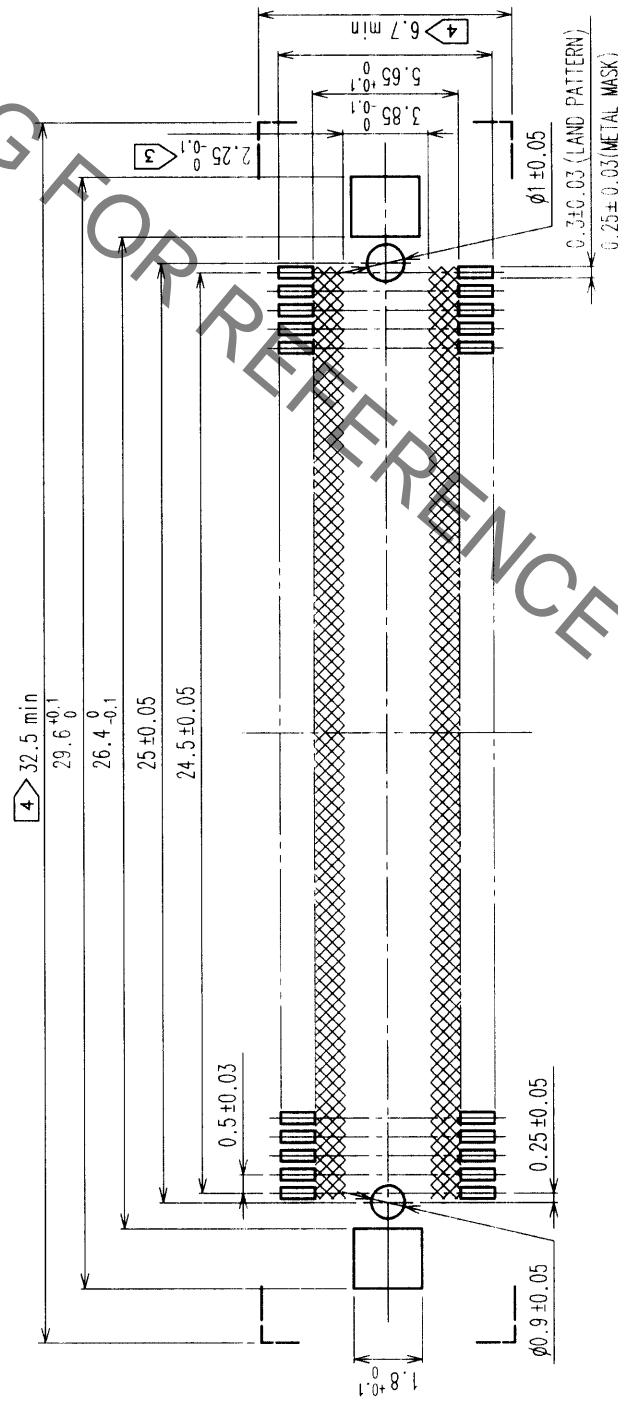
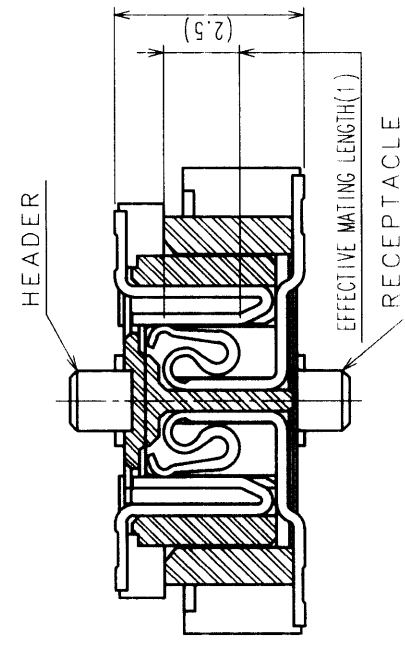


RECOMMENDED LAND PATTERN DIMENSION OF PCB



SIGNAL PORTION CROSS SECTION (10:1)



HRS DRAWING FOR REFERENCE

- NOTES
- 1 SMT LEAD-COPLANARITY: 0.1 MAX.
 - 2 THIS PRODUCT HAS NO POLARITY TO PATTERN FOR MOUNTING.
 - 3 MAKE SURE WIDTH OF PATTERN IS WITHIN THAT OF LAND, OR LEAD MAY TOUCH PATTERN. (THIS APPLIES TO HATCHED AREA.)
 - 4 DO NOT MOUNT OTHER DEVICES ONTO [] AREA, OR MATING PAIR CANNOT BE MATED.
 - 5 TO BE EMBOSSED CARRIER TAPED AS SPECIFIED IN SHEET 2.

COUNT	DESCRIPTION OF REVISIONS	BY	CHKD	DATE	COUNT	DESCRIPTION OF REVISIONS	BY	CHKD	DATE
1	RE-F-06821	J.M.H.D		00.04.06					

NO.	MATERIAL	FINISH	REMARKS	NO.	MATERIAL	FINISH	REMARKS
2	COPPER ALLOY			3	PHOSPHOR BRONZE	TIN PLATED	
1	LCP	BEIGE	UL94V-0				

CODE NO. (OLD)	CL	DRAWN	DESIGNED	CHECKED	APPROVED	RELEASED
		J.MATSUKAWA	J.MATSUKAWA	M.ISHIDA	Y.YOSHIMURA	
		00.01.15	00.01.15	00.01.17	00.01.17	

DRAWING NO.	PART NO.
EDC3-152606-01	FX11A-100P-SV(21)

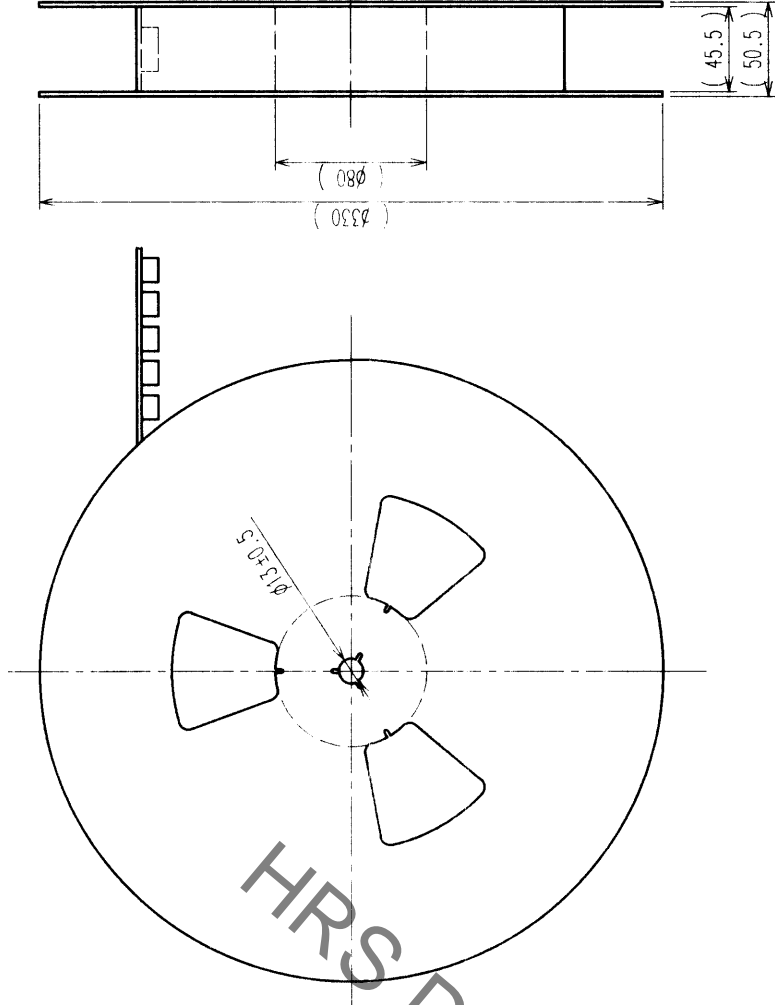
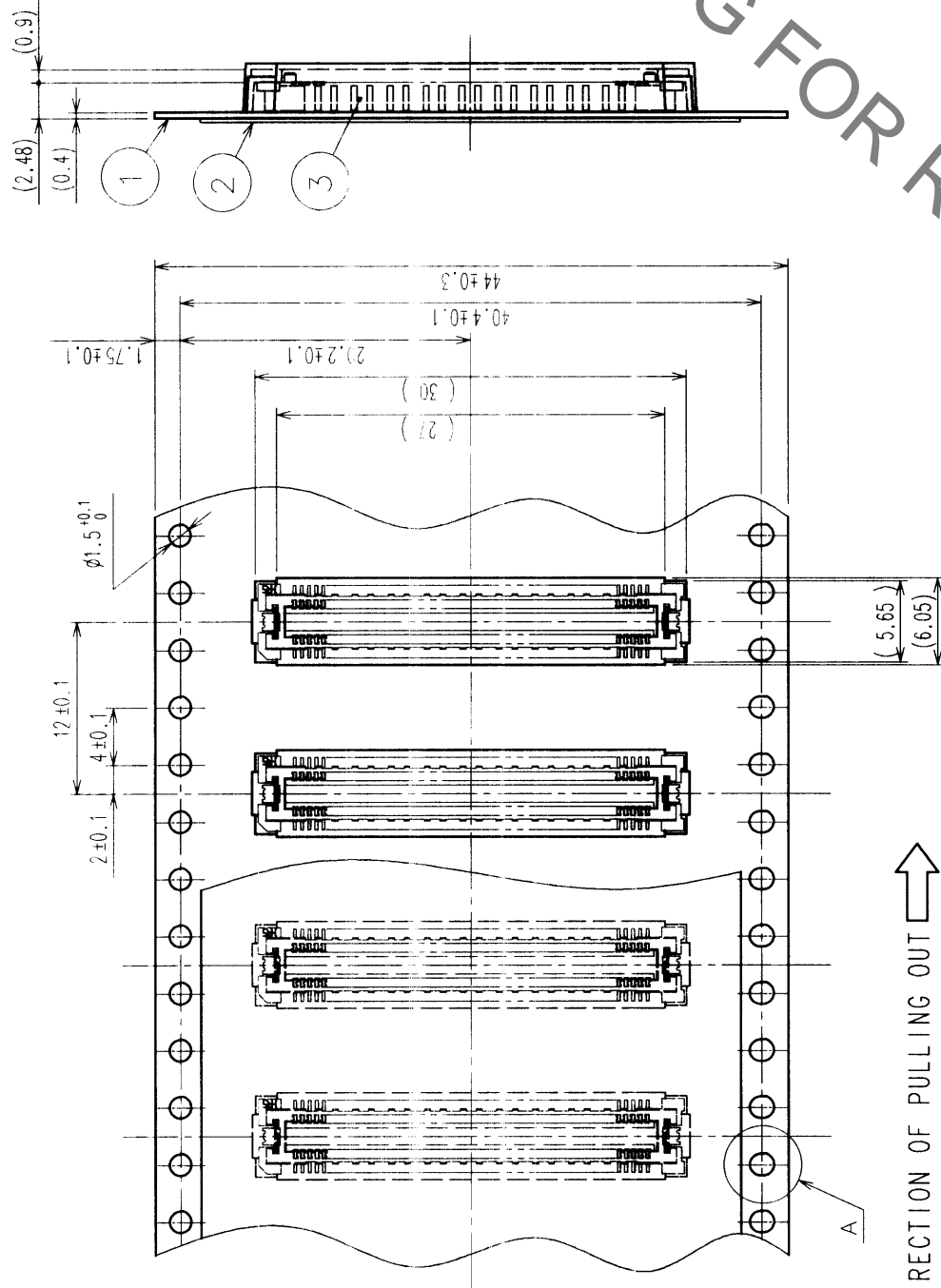
SCALE	UNITS	CODE NO.
5 : 1	mm	CL573-0543-7-21

TO	
PCK	

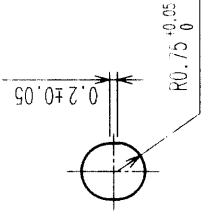
May.1.2023 Copyright 2023 HIROSE ELECTRIC CO., LTD. All Rights Reserved.
 2 In case of consideration for using Automotive equipment / device which demand high reliability, kindly contact our sales wigdow correspondents.

COUNT	DESCRIPTION OF REVISIONS	BY	CHKD	DATE	COUNT	DESCRIPTION OF REVISIONS	BY	CHKD	DATE
△					△				
△					△				
△					△				

REELED DIMENSION (FREE)



A (5 : 1)



- NOTES
- 1 REEL: 1000 CONNECTORS.
 - 2 MINIMUM 10 COMPARTMENTS FROM BOTH REEL ENDS REMAIN EMPTY.
 - 3 THIS PRODUCT HAS NO POLARITY TO TAPE AND REEL PACKAGING.

2	PET	TOP COVER TAPE	3 (CONNECTOR)			FINISH, REMARKS			
1	PS	EMBOSSED CARRIER TAPE	NO.	MATERIAL	DESIGNED	CHECKED	APPROVED	RELEASED	
NO.	MATERIAL	FINISH, REMARKS	NO.	MATERIAL	J. MATSUKAWA	M. ISHIDA	Y. YOSHIMURA		
CODE NO. (OLD)	CL		00 01 15	00 01 15	00 01 15	00 01 17	00 01 17		
DRAWING FOR PACKING			DRAWN		DESIGNED		CHECKED		
			J. MATSUKAWA		M. ISHIDA		Y. YOSHIMURA		
			00 01 15		00 01 15		00 01 17		
DRAWING NO.		PART NO.		FINISH, REMARKS					
EDC3-152606-01		FX11A-100P-SV(21)							
SCALE	2 : 1	CODE NO.		CL573-0543-7-21			2		
UNITS	MM	HIROSE ELECTRIC CO., LTD							

TO	
PCK	