

THIS DRAWING IS SUPPLIED FOR INFORMATION ONLY. DESIGN FEATURES, SPECIFICATIONS AND PERFORMANCE DATA SHOWN HEREON ARE THE PROPERTY OF THE AMPHENOL CORPORATION. NO RIGHTS OF REPRODUCTION ARE IMPLIED. ALL DIMENSIONS ARE SUBJECT TO NORMAL MANUFACTURING VARIATIONS.

1

2

3

4

5

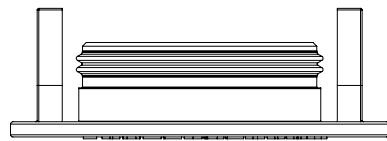
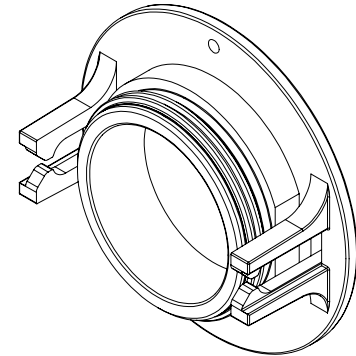
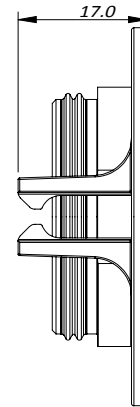
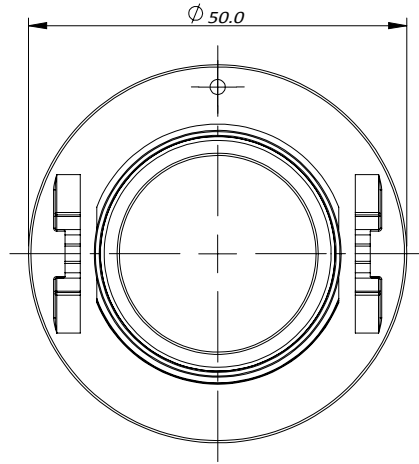
6

7

8

REVISIONS					
REV#	ECN#	REVISION ACTION	REV.BY:	APPR.BY:	DATE
A	--	INITIAL RELEASE	Star	James	07/06/2021

CUSTOMER DRAWING



A

B

C

D

A

B

C

D

		Amphenol Technical Products International Asia.					PART NAME: PL500 1 Pos rcpt dust cap with seal
		第三角投影 THIRD ANGLE PROJECTION	页面 SHEET	幅面 SIZE	版次 REV.	比例 SCALE	
签名 SIGNATURE		日期 DATE		1) All dimensions are in metric(mm). 2) Tolerances are as follows: 1.PL DEC ± 1.00 2.PL DEC ± 0.50 3.PL DEC ± 0.20		MATERIAL SPECIFICATIONS:	
制图 DRAWN		Star		07/06/2021			Angles ±1°
审核 CHECKED							
批准 APPROVAL							

1

2

3

4

5

6

7

8