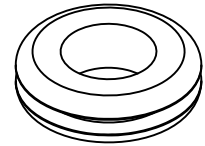
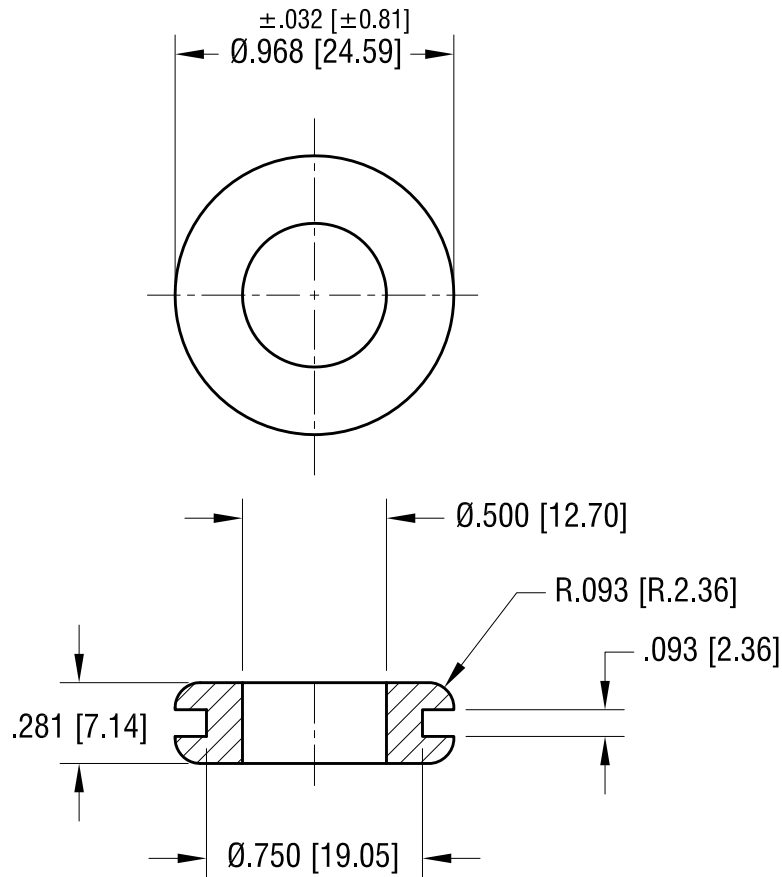


THIS DOCUMENT IS THE PROPERTY OF
KEYSTONE ELECTRONICS CORP. AND
SHALL NOT BE REPRODUCED, DISTRIBUTED
OR USED AS A BASIS FOR MANUFACTURE
WITHOUT PRIOR WRITTEN PERMISSION
FROM KEYSTONE ELECTRONICS CORP.

ACTUAL SIZE



10.13.21	CHANGE AS PER ECN 21-116	C
1.02.08	ECN 08-018 WAS BUNA S	B
3.25.02	CHANGED AS PER ECN 02-027	A
DATE	DESCRIPTION	REV.

KEYSTONE ELECTRONICS CORP.			
www.keyelco.com • NEW HYDE PARK NY 11040 • Tel (516)328-7500			
PART NAME		RUBBER GROMMET	
MATERIAL		BUNA N	
FINISH		DRN BY	DATE
NONE		BOONE	9.16.96
		APP'D	SCALE
		RH	1.5X
TOLERANCES	INCH [MM]	CODE	DWG NO.
DECIMAL	$\pm .020$ [± 0.50]	C	749
ANGULAR	$\pm 1^\circ$		
UNLESS OTHERWISE SPECIFIED			