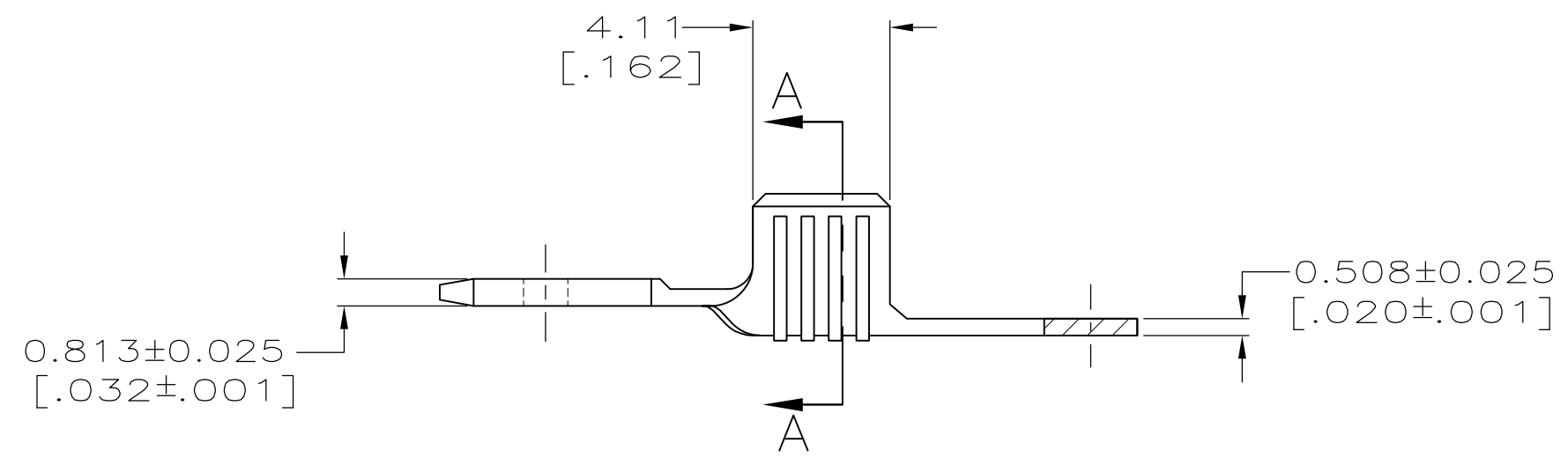
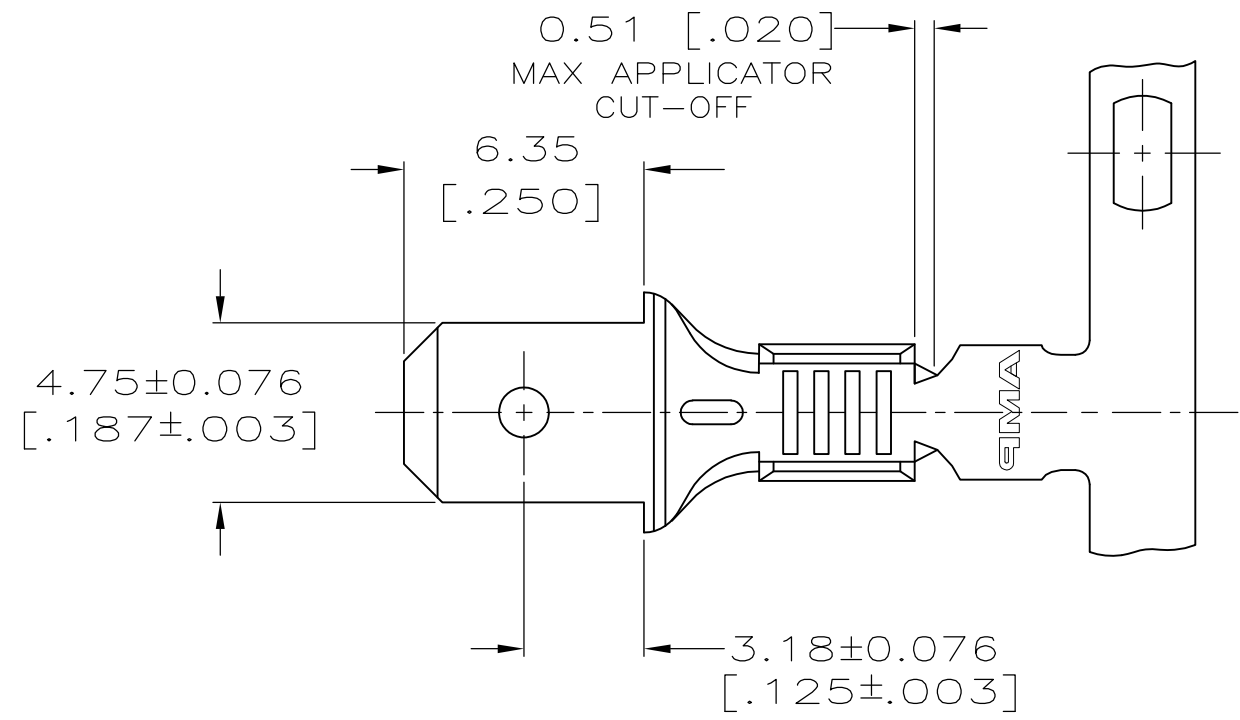
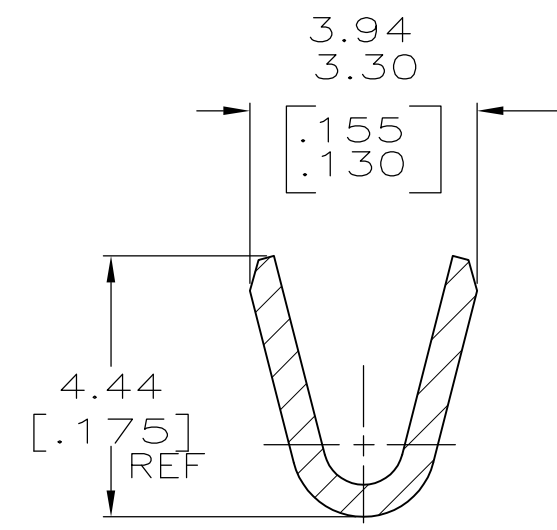


THIS DRAWING IS UNPUBLISHED. RELEASED FOR PUBLICATION
 © COPYRIGHT - By - ALL RIGHTS RESERVED.

LOC	DIST	REVISIONS			
P	LTR	DESCRIPTION	DATE	DWN	APVD
AF	50	C	REVISED PER ECR-13-011489	29NOV2013	KH PD


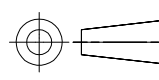


- 1 CONTINUOUS STRIP ON REELS.
- 2 WIRE SIZE TO BE [#18-#14] AWG.



SECTION A-A

63919-1
 PART NO.

THIS DRAWING IS A CONTROLLED DOCUMENT.		DWN	JR RUTH	7/1/96	 TE Connectivity
DIMENSIONS: mm [INCHES]		CHK	MS FEHER	7/1/96	
TOLERANCES UNLESS OTHERWISE SPECIFIED:		APVD	P DESANTIS	7/1/96	
0 PLC ± - 1 PLC ± - 2 PLC ± 0.25 [.010] 3 PLC ± - 4 PLC ± - ANGLES ± -		PRODUCT SPEC		NAME	
MATERIAL	BRASS	FINISH	TIN	APPLICATION SPEC	
		WEIGHT		-	TAB, FASTON, 4.75 [.187] SERIES
CUSTOMER DRAWING		SIZE	A3	CAGE CODE	00779
SCALE		5:1	DRAWING NO	C-63919	
SHEET		1 OF 1	RESTRICTED TO	-	
REV		C			