

**MODEL:** CMS-35206-158 | **DESCRIPTION:** SPEAKER

**FEATURES**

- 8 ohm rated impedance
- 1.5 W rated power
- 850 Hz resonance frequency

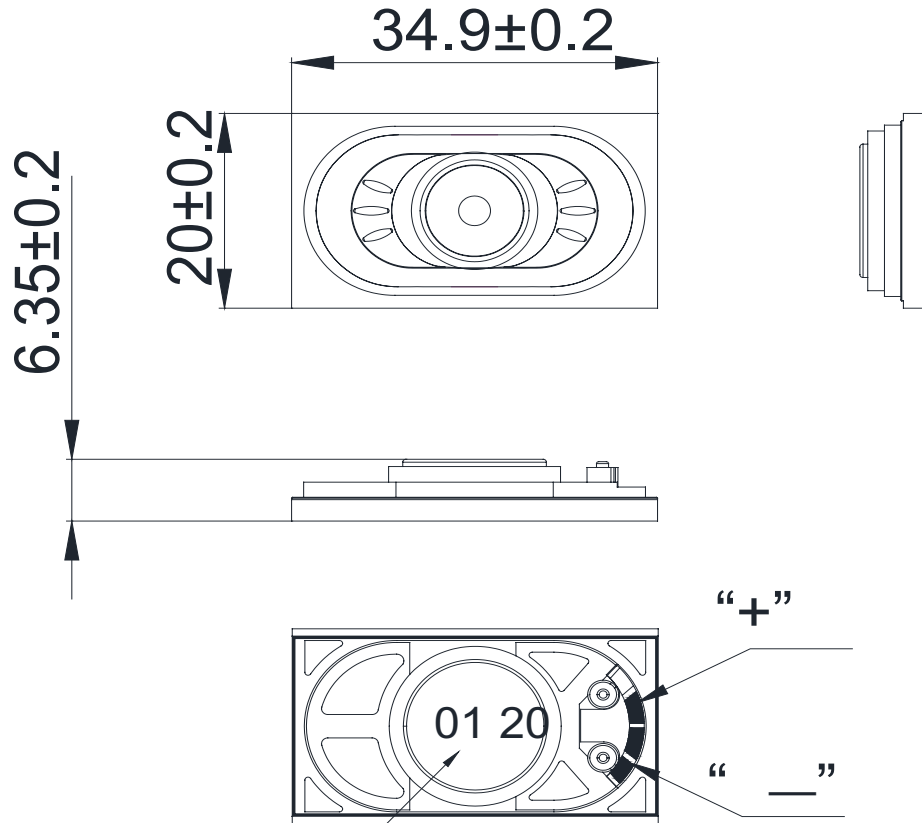

**SPECIFICATIONS**

parameter	conditions/description	min	typ	max	units
input power	max power: IEC-60268-5, filter 60 seconds on, 120 seconds off, 10 cycles (room temp)		1.5	2.0	W
impedance	at 2.0 kHz	6.8	8	9.2	$\Omega$
resonant frequency (Fo)	at 1.0 V	680	850	1,020	Hz
frequency response		Fo		20,000	Hz
sound pressure level	at 1.5 W, 10 cm, avg at 0.8, 1.0, 1.2, 1.5 kHz	97	100	103	dB
distortion	at 1.0 kHz, rated power			10	%
buzz, rattle, etc.	must be normal at sine wave, frequency range			3.46	V
polarity	cone moves forward w/ positive dc current to "+" terminal				
dimensions	34.9 x 20.0 x 6.35				mm
magnet	Nd-Fe-B				
frame material	PBT				
cone material	cloth				
terminal	solder pads				
weight			4.7		g
operating temperature		-20		60	$^{\circ}\text{C}$
storage temperature		-30		70	$^{\circ}\text{C}$
hand soldering	for maximum 3 seconds	370	380	390	$^{\circ}\text{C}$
RoHS	yes				

Notes: 1. All specifications measured at 5-35 $^{\circ}\text{C}$ , humidity at 45-85%, under 86-106 kPa pressure, unless otherwise noted.

## MECHANICAL DRAWING

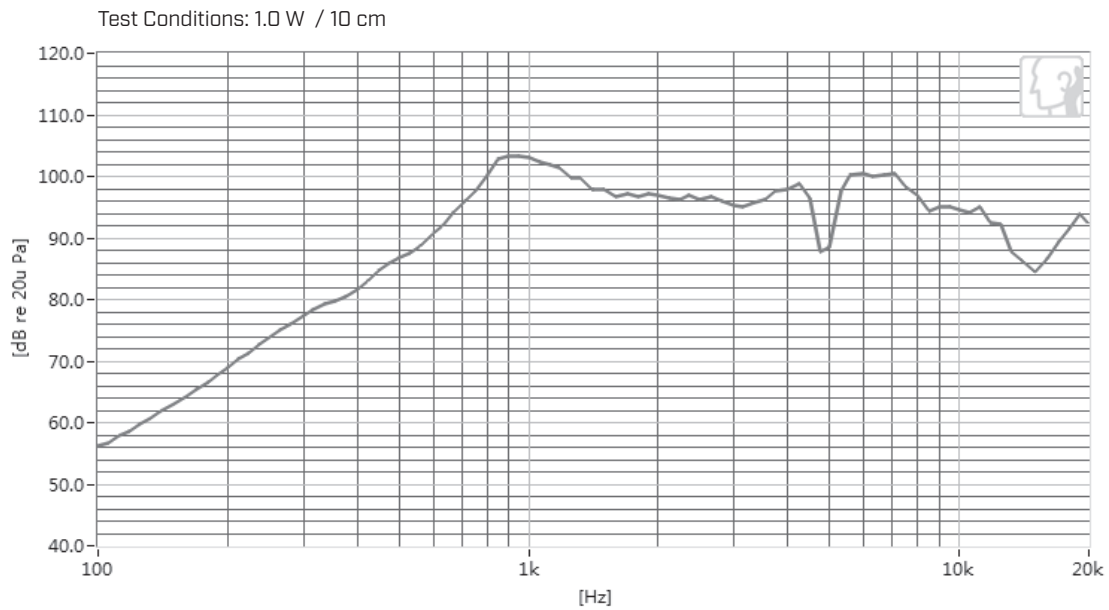
units: mm  
tolerance:  $\pm 0.2$  mm



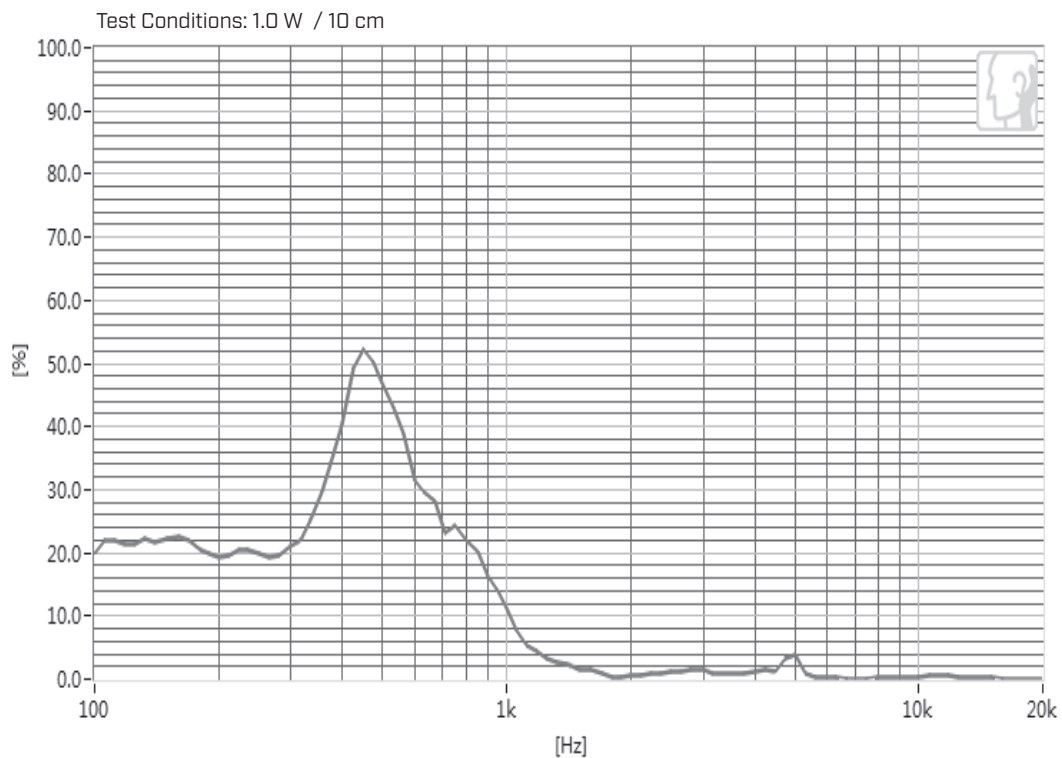
WEEK	<input type="checkbox"/>	<input type="checkbox"/>	<input type="checkbox"/>	<input type="checkbox"/>	YEAR
01--					16--2016
02--					17--2017

## RESPONSE CURVES

### Frequency Response Curve



### Total Harmonic Distortion Curve

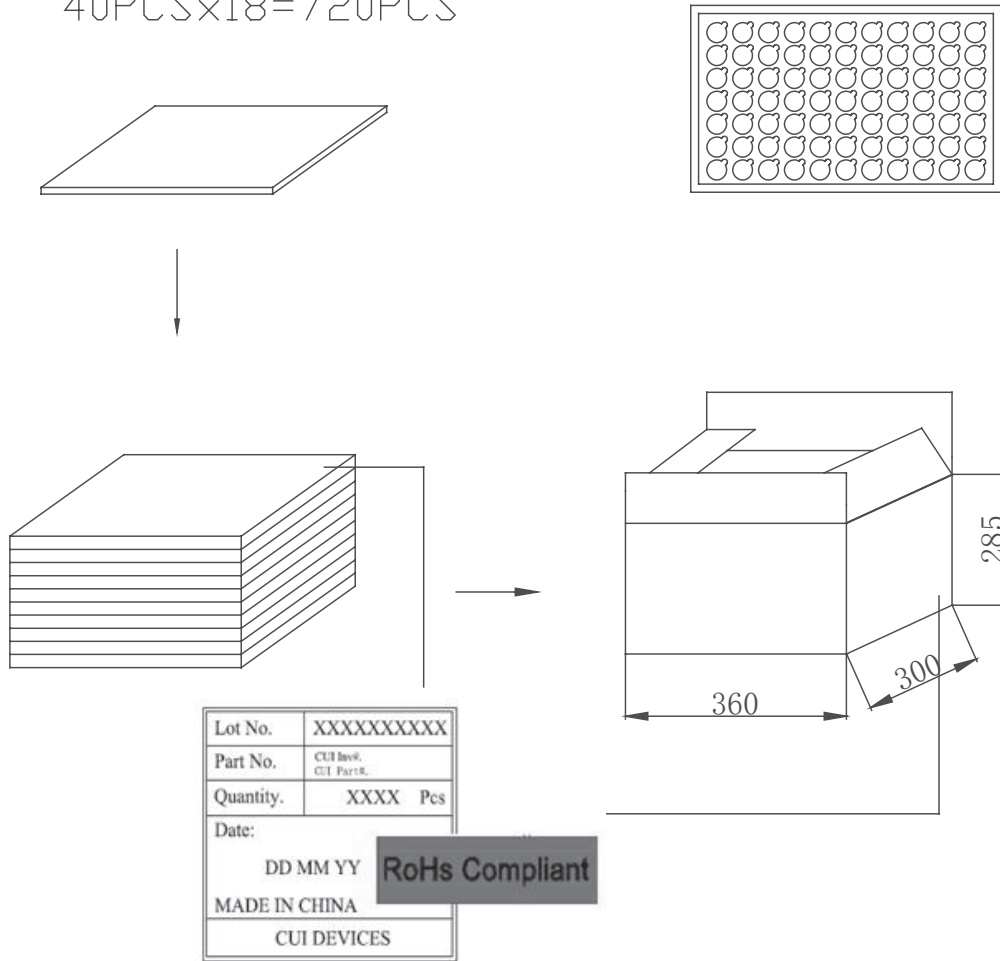


## PACKAGING

units: mm

Tray Size: 345 x 285 x 14 mm  
 Tray QTY: 40 pcs per tray  
 Carton Size: 360 x 300 x 285 mm  
 Carton QTY: 720 pcs per carton

$$40\text{PCS} \times 18 = 720\text{PCS}$$



## REVISION HISTORY

rev.	description	date
1.0	initial release	06/08/2020
1.01	logo, datasheet style update	10/26/2022

The revision history provided is for informational purposes only and is believed to be accurate.



CUI Devices offers a one (1) year limited warranty. Complete warranty information is listed on our website.

CUI Devices reserves the right to make changes to the product at any time without notice. Information provided by CUI Devices is believed to be accurate and reliable. However, no responsibility is assumed by CUI Devices for its use, nor for any infringements of patents or other rights of third parties which may result from its use.

CUI Devices products are not authorized or warranted for use as critical components in equipment that requires an extremely high level of reliability. A critical component is any component of a life support device or system whose failure to perform can be reasonably expected to cause the failure of the life support device or system, or to affect its safety or effectiveness.

[cuidevices.com](http://cuidevices.com)