



NOTES:

1.CONNECTOR MATERIAL:

HOUSING: THERMOPLASTIC UL94 V-0

SHIELD: BRASS

SHIELD PLATING: NICKEL

CONTACT: COOPER ALLOY

CONTACT PLATING: SELECTIVE GOLD,6 MICRO-INCHS MIN IN CONTACT AREA

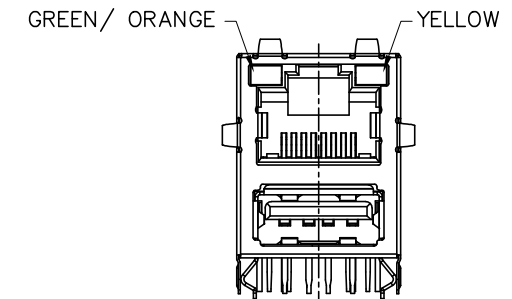
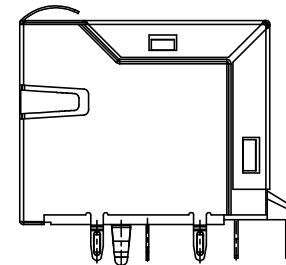
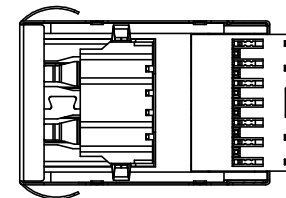
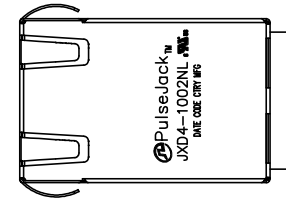
2.PIN NOT ELECTRICALLY CONNECTED MAYBE OMITTED SEE ELECTRICAL DRAWING FOR OMITTED PINS

3.RJ45 CAVITIES CONFORM TO FCC RULES AND REGULATION PART 68.

4.THE PART IS RECOMMENDED FOR WAVE SOLDERING PROCESS PEAK SOLDERING TEMPERATURE IS 260° C MAX,10 SECS MAX

5.OPERATING TEMPERATURE T=-40°C TO +85°C.

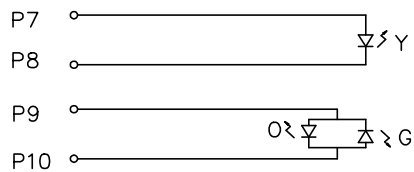
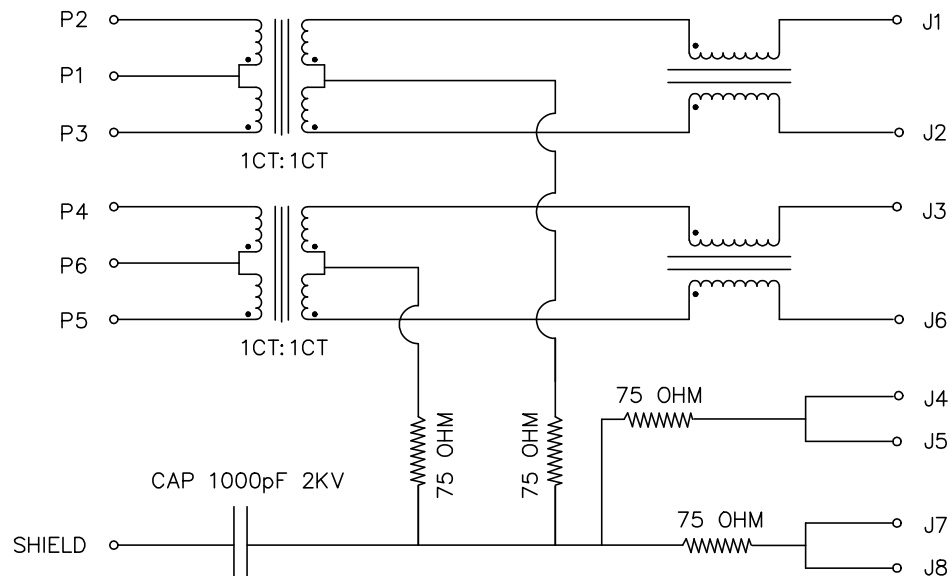
6.STORAGE TEMPERATURE T=-40°C TO +85°C.



FINAL OUTLINE

© Copyright, 2018. Pulse Electronics Corp. All rights reserved. Pulse confidential & proprietary. (09/12/18)

PRODUCT DESCRIPTION	TLA DRAWING	PS DRAWING	SHEET	PART NO.	DATASHEET REV.
CONN,RJ45/USB2.0,100D,1:1,TY	JXD4-1002NL-11	PS-XXXX	1 OF 5	JXD4-1002NL	B



SCHEMATIC

ELECTRONICAL SPECIFICATIONS:

- TURN RATIO @100KHz:
(P2~P3):(J1~J2) = 1:1±5%
(P4~P5):(J3~J6) = 1:1±5%
- PRIMARY INDUCTANCE:
350uH MIN @100KHZ,0.1V 8mA DC BIAS
- DC RESISTANCE:
(J1~J2):(J3~J6) 1.2 OHMS MAX
- INSERTION LOSS:
1-100MHz -1.2dB MAX
- RETURN LOSS:
1-30MHz -16dB MIN
30-60MHz -12dB MIN
60-80MHz -10dB MIN
- CROSS TALK:
1-100MHz -30dB MIN
- COMMON TO COMMON MODE ATTENUATION:
1-100MHz -30dB MIN
- ISOLATION: PHY SIDE TO LINE SIDE:
2250VDC

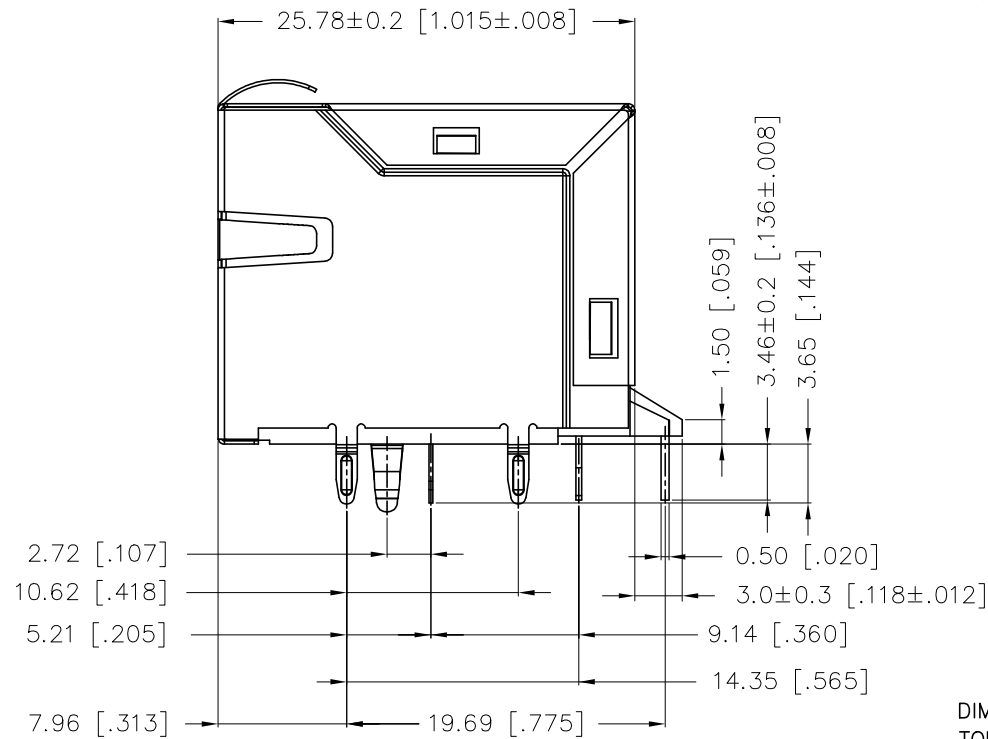
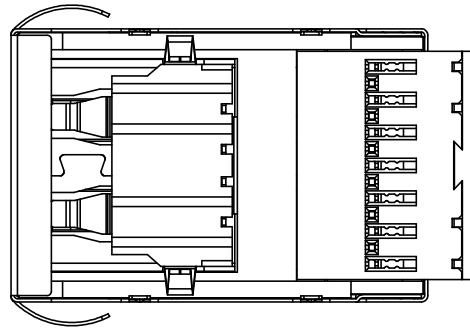
LED SPECIFICATION:

LED SPECIFICATION			
STANDARD LED	WAVELENGTH	Forward V(max)	TYP
GREEN/ORANGE	565nm	2.4V	2.2V
YELLOW	590nm	2.5V	2.1V

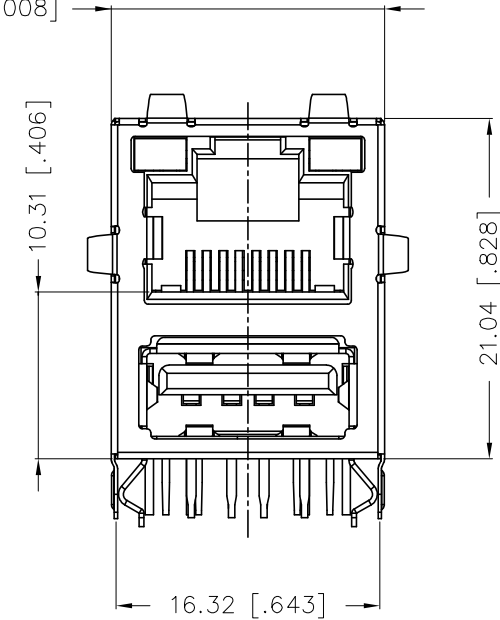
*WITH A FORWARD CURRENT OF 20mA

© Copyright, 2018. Pulse Electronics Corp. All rights reserved. Pulse confidential & proprietary. (09/12/18)

PRODUCT DESCRIPTION	TLA DRAWING	PS DRAWING	SHEET	PART NO.	DATASHEET REV.
CONN,RJ45/USB2.0,100D,1:1,TY	JXD4-1002NL-11	PS-XXXX	2 OF 5	JXD4-1002NL	B



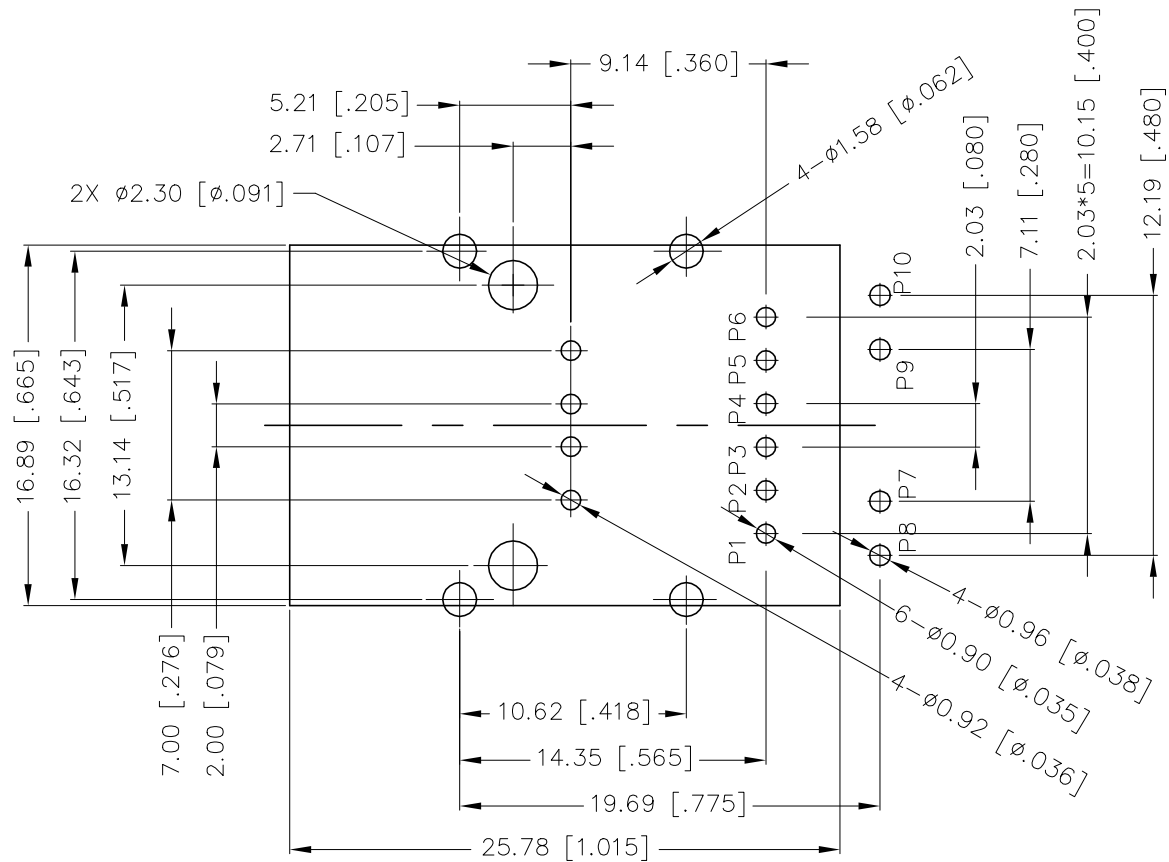
16.89±0.2 [.665±.008]



DIMENSIONS ARE IN MILLIMETERS [INCHES] WITH THE FOLLOWING TOLERANCES: [INCHES] ARE FOR REFERENCE ONLY.
X.XX= ±0.25 [±.010]

© Copyright, 2018. Pulse Electronics Corp. All rights reserved. Pulse confidential & proprietary. (09/12/18)

PRODUCT DESCRIPTION	TLA DRAWING	PS DRAWING	SHEET	PART NO.	DATASHEET REV.
CONN,RJ45/USB2.0,100D,1:1,TY	JXD4-1002NL-11	PS-XXXX	3 OF 5	JXD4-1002NL	B

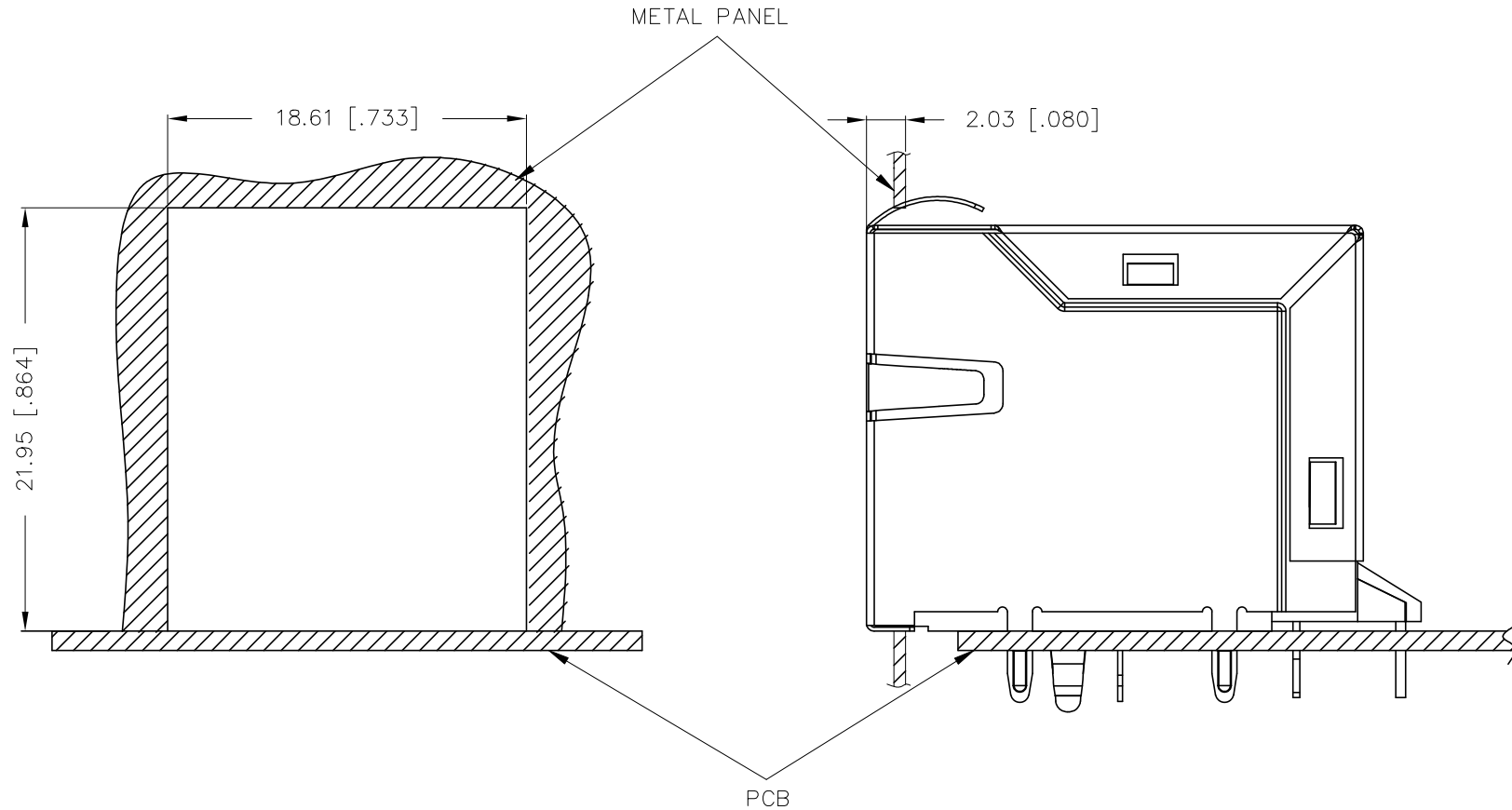


RECOMMENDED PCB LAYOUT
(COMPONENT SIDE VIEW)

DIMENSIONS ARE IN MILLIMETERS [INCHES] WITH THE FOLLOWING
TOLERANCES: [INCHES] ARE FOR REFERENCE ONLY.
X.XX= ±0.10 [±.004]

© Copyright, 2018. Pulse Electronics Corp. All rights reserved. Pulse confidential & proprietary. (09/12/18)

PRODUCT DESCRIPTION	TLA DRAWING	PS DRAWING	SHEET	PART NO.	DATASHEET REV.
CONN,RJ45/USB2.0,100D,1:1,TY	JXD4-1002NL-11	PS-XXXX	4 OF 5	JXD4-1002NL	B



SUGGESTED PANEL CUTOUT

TOLERANCES: [INCHES] ARE FOR REFERENCE ONLY.
X.XX= ±0.10 [±.004]

© Copyright, 2018. Pulse Electronics Corp. All rights reserved. Pulse confidential & proprietary. (09/12/18)

PRODUCT DESCRIPTION	TLA DRAWING	PS DRAWING	SHEET	PART NO.	DATASHEET REV.
CONN,RJ45/USB2.0,,100D,1:1,TY	JXD4-1002NL-11	PS-XXXX	5 OF 5	JXD4-1002NL	B