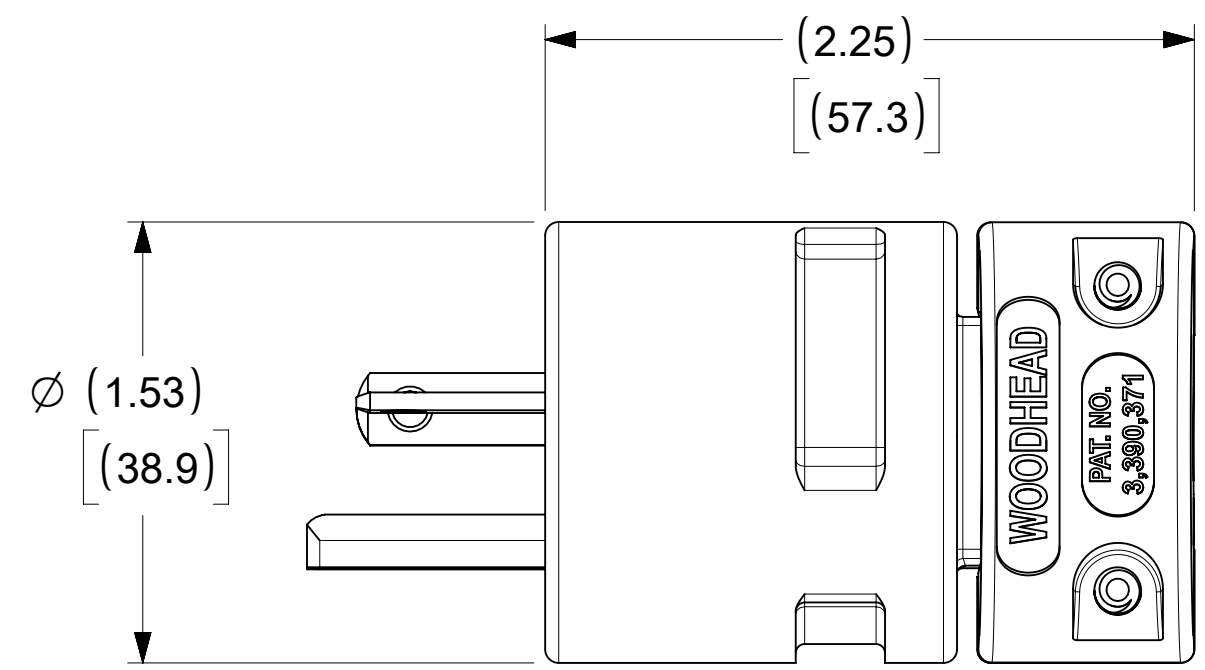
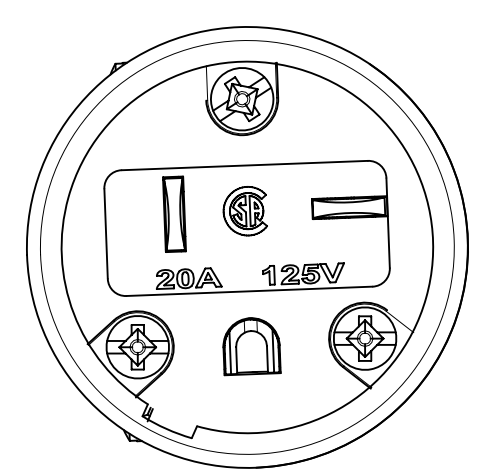
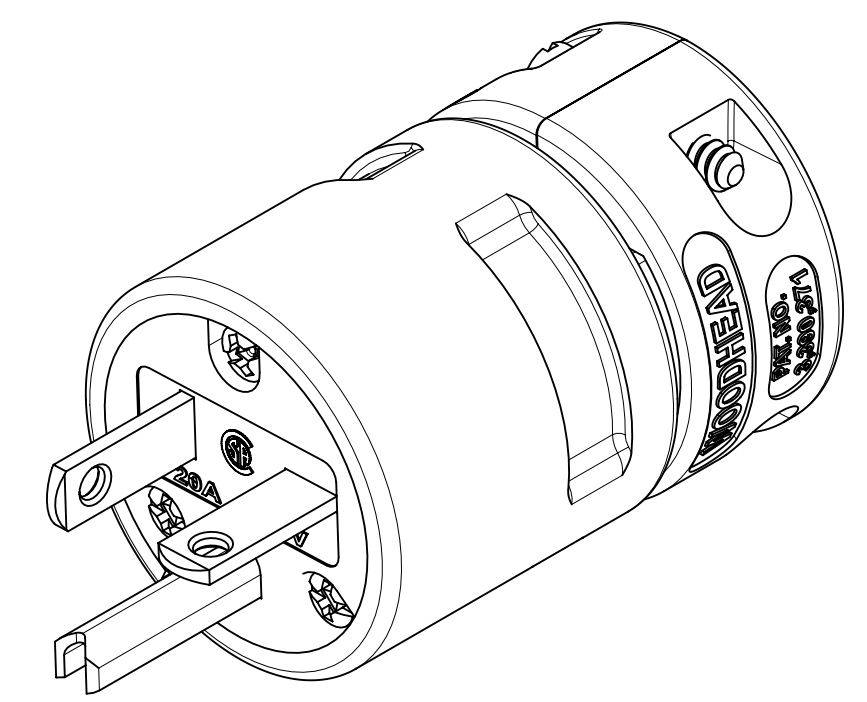
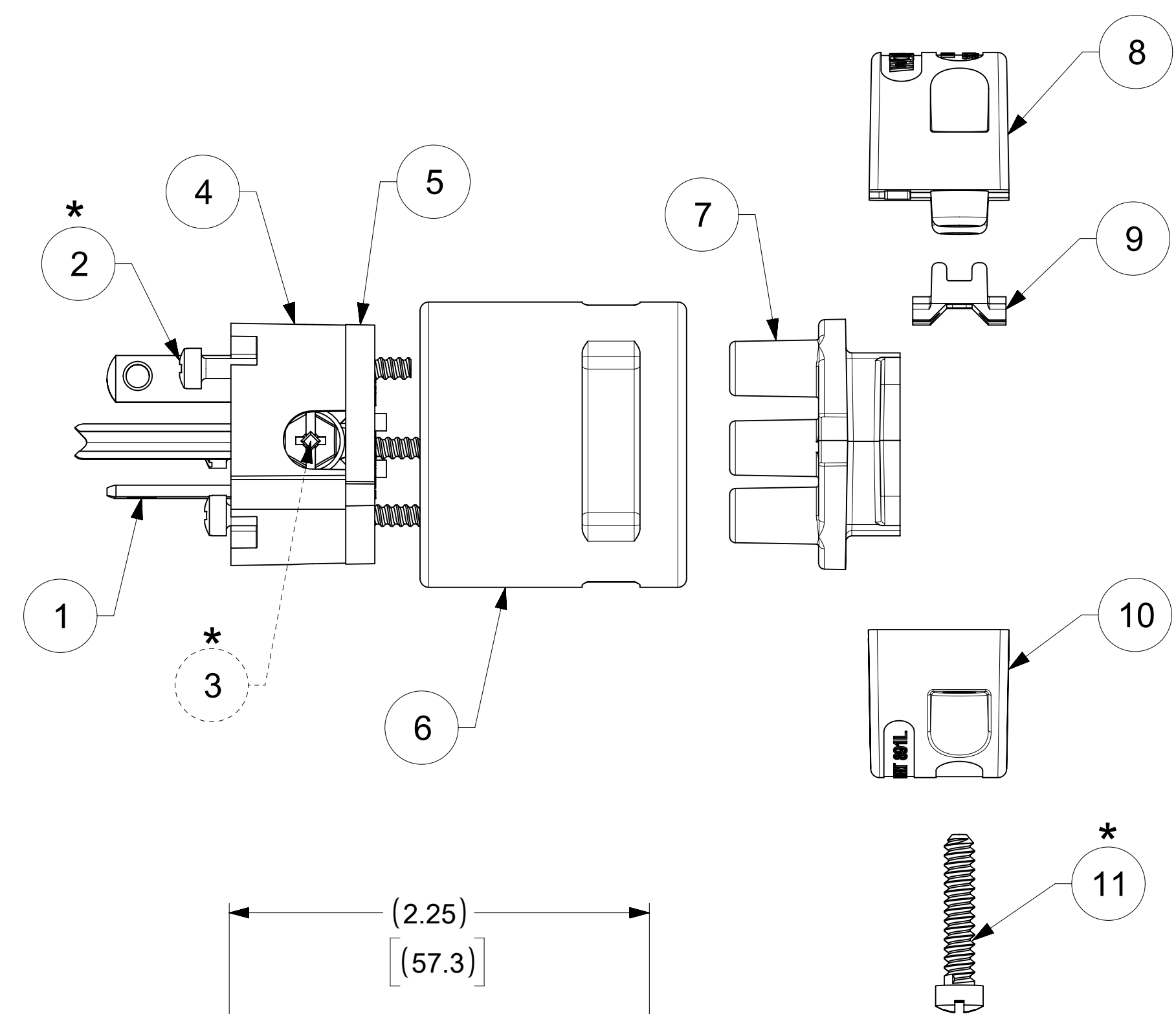
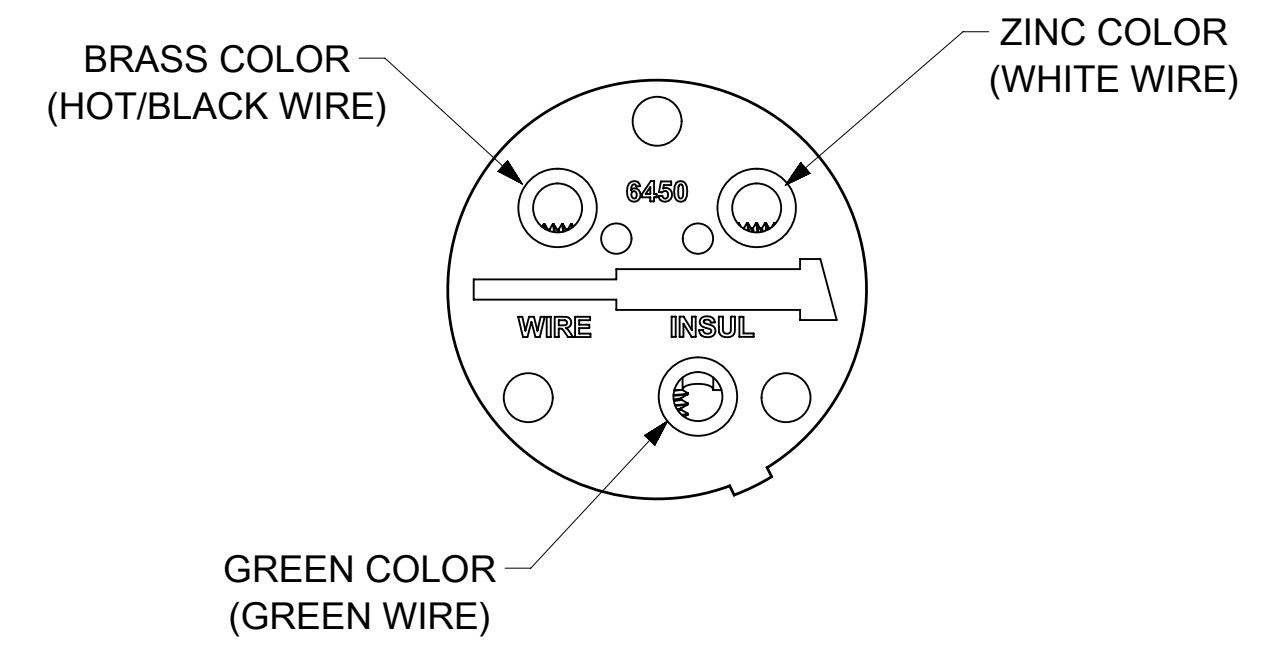


ORDER NO.	WOODHEAD NO.	COLOR
130141-0010	1433	YELLOW
130141-0011	1433BLK	BLACK



**WIRING TERMINATION**



\* FOR SCREW TORQUE, SEE ASSEMBLY INSTRUCTIONS

ITEM NO.	DESCRIPTIONS	MATERIAL	QTY.
1	BLADES	BRASS, NICKEL PLATED	3
2	RETAINING SCREWS	STAINLESS STEEL	3
3	TERMINAL SCREWS/CLAMP ASSEMBLY	BRASS, ZINC PLATED	3
4	INSERT; YELLOW	NYLON	1
5	TERMINAL COVER	POLYCARBONATE	1
6	HOUSING; YELLOW	NYLON	1
7	CLAMP SUPPORT	NYLON	1
8	CLAMP CORD MALE; YELLOW	NYLON	1
9	CLAMP CORD INSERT	NYLON	1
10	CLAMP CORD FEMALE; YELLOW	NYLON	1
11	RETAINING SCREWS	STEEL ZINC PLATED	2

SYMBOLS		THIS DRAWING CONTAINS INFORMATION THAT IS PROPRIETARY TO MOLEX ELECTRONIC TECHNOLOGIES, LLC AND SHOULD NOT BE USED WITHOUT WRITTEN PERMISSION	
▽ = 0	DIMENSION UNITS	SCALE	CURRENT REV DESC: NEW RELEASE
▽ = 0	INCH[mm]	NTS	
▽ = 0	GENERAL TOLERANCES (UNLESS SPECIFIED)		
▽ = 0		MM	INCH
▽ = 0	4 PLACES	±	±
▽ = 0	3 PLACES	±	±
▽ = 0	2 PLACES	±	±
▽ = 0	1 PLACE	±	±
▽ = 0	0 PLACES	±	±
▽ = 0	ANGULAR TOL	± °	
▽ = 0	DRAFT WHERE APPLICABLE MUST REMAIN WITHIN DIMENSIONS		THIRD ANGLE PROJECTION
		DRAWING	SERIES
		C-SIZE	130141
		EC NO: 621242	2019/01/09
		DRWN: VHANDI	2019/01/09
		CHK'D: DNGUYEN62	2020/02/14
		APPR: HKNEELAND	2020/09/03
		INITIAL REVISION:	
		DRWN: VHANDI	2019/01/09
		APPR: HKNEELAND	2020/09/03
		DOCUMENT NUMBER	DOC TYPE   DOC PART   REVISION
		1301410010	PSD   000   A
		MATERIAL NUMBER	CUSTOMER
		SEE TABLE	GENERAL MARKET
			SHEET NUMBER
			1 OF 1