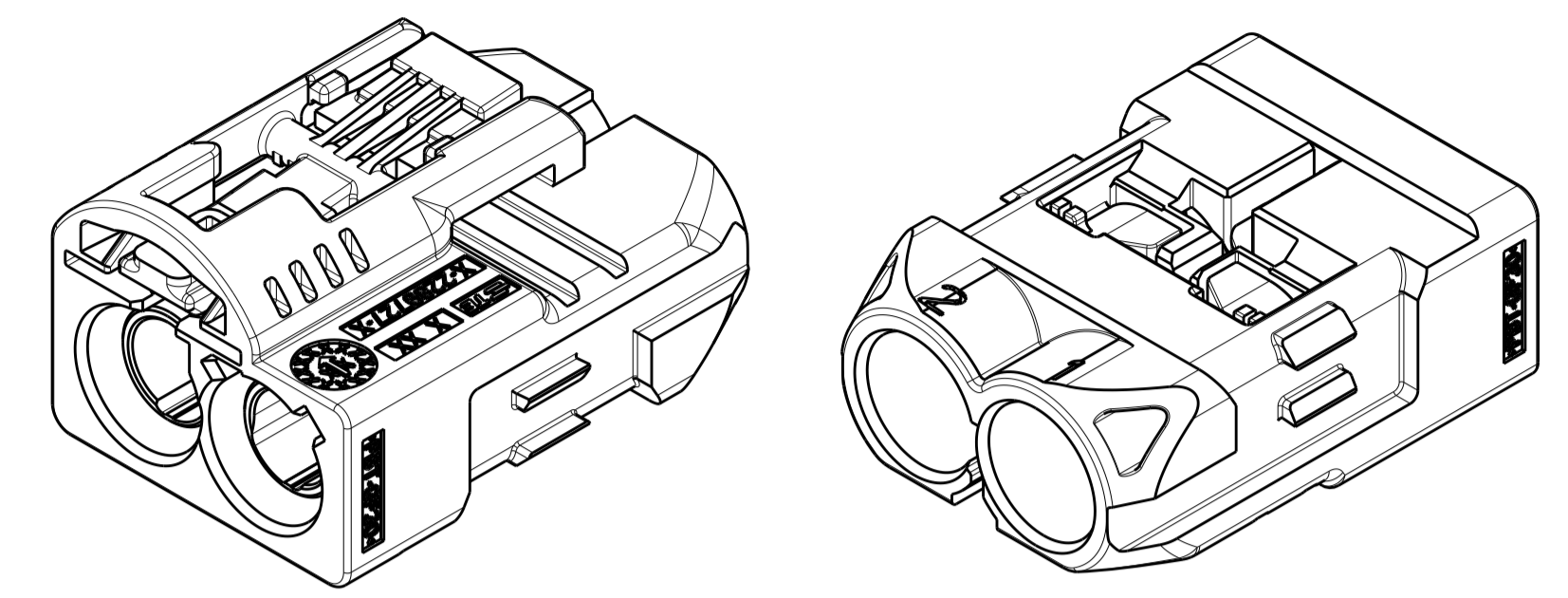
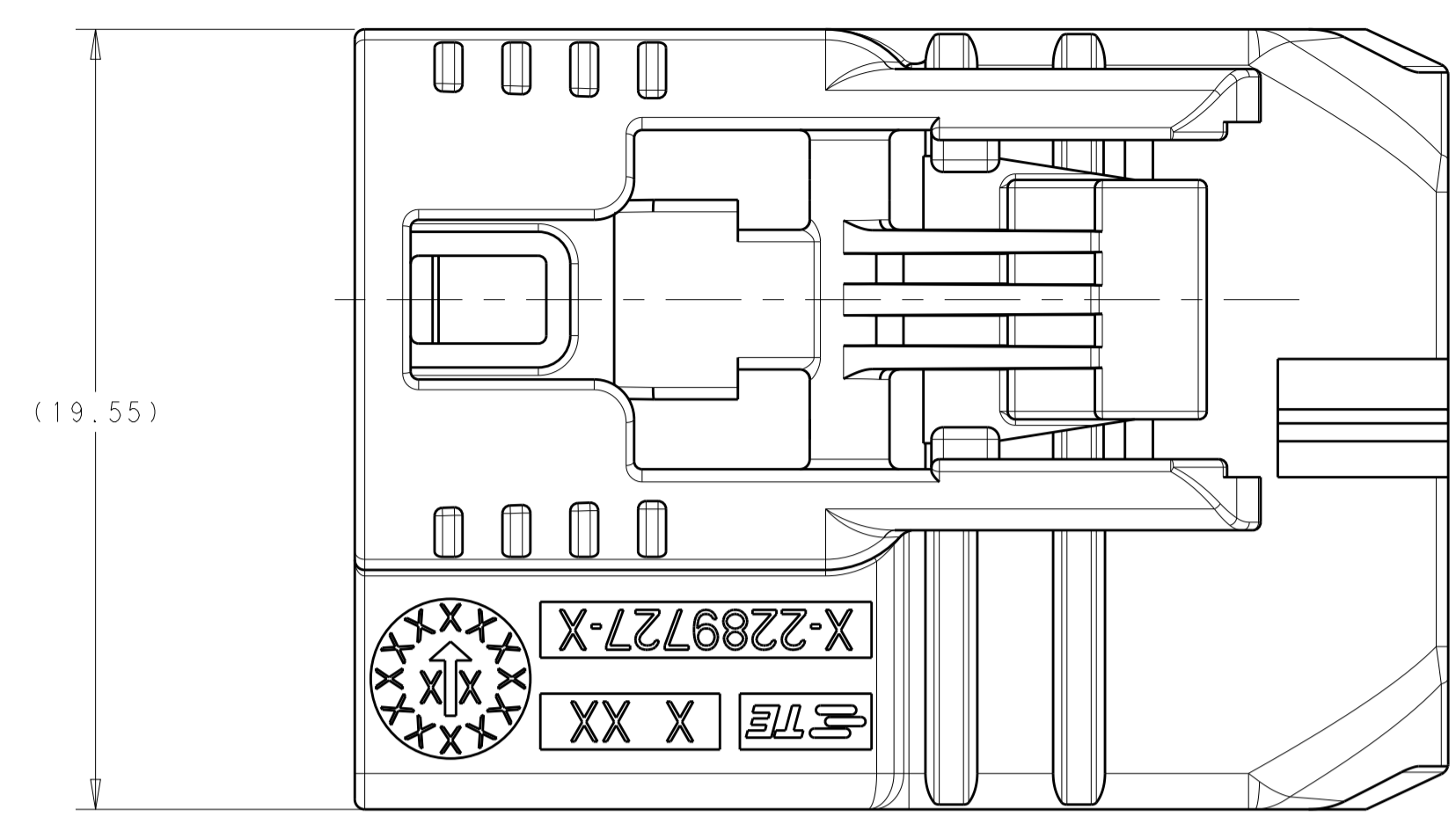
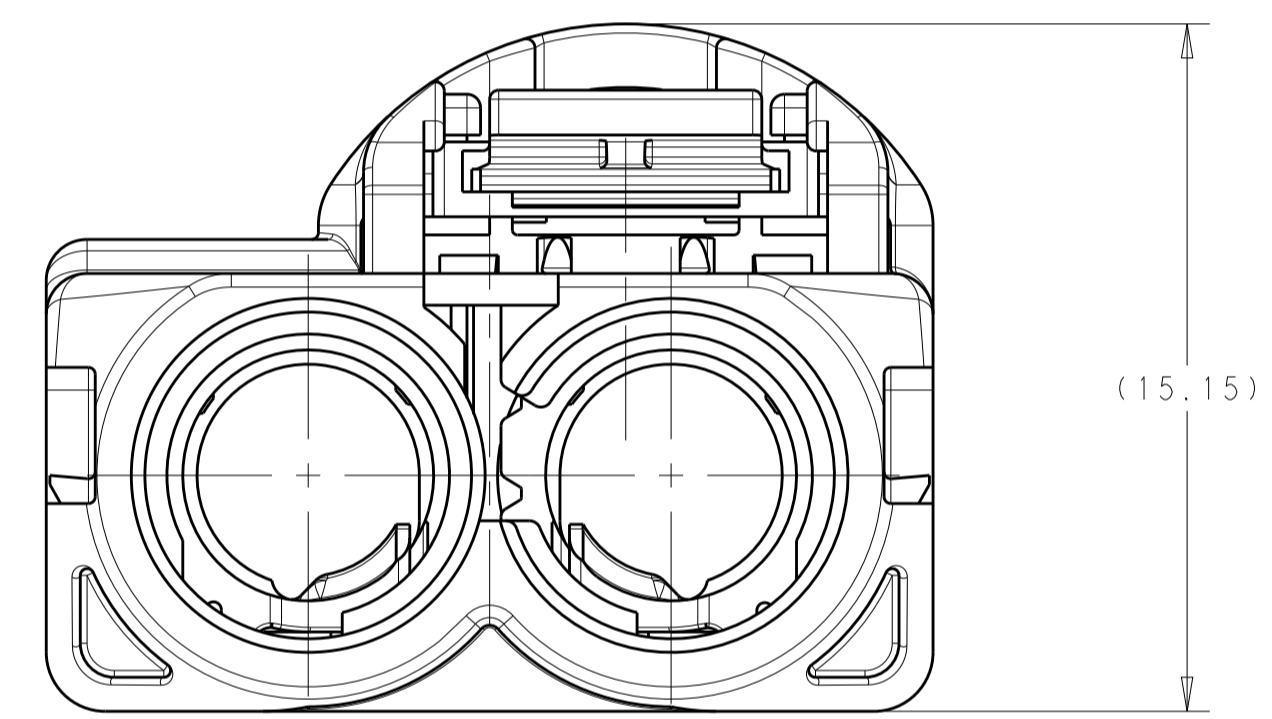
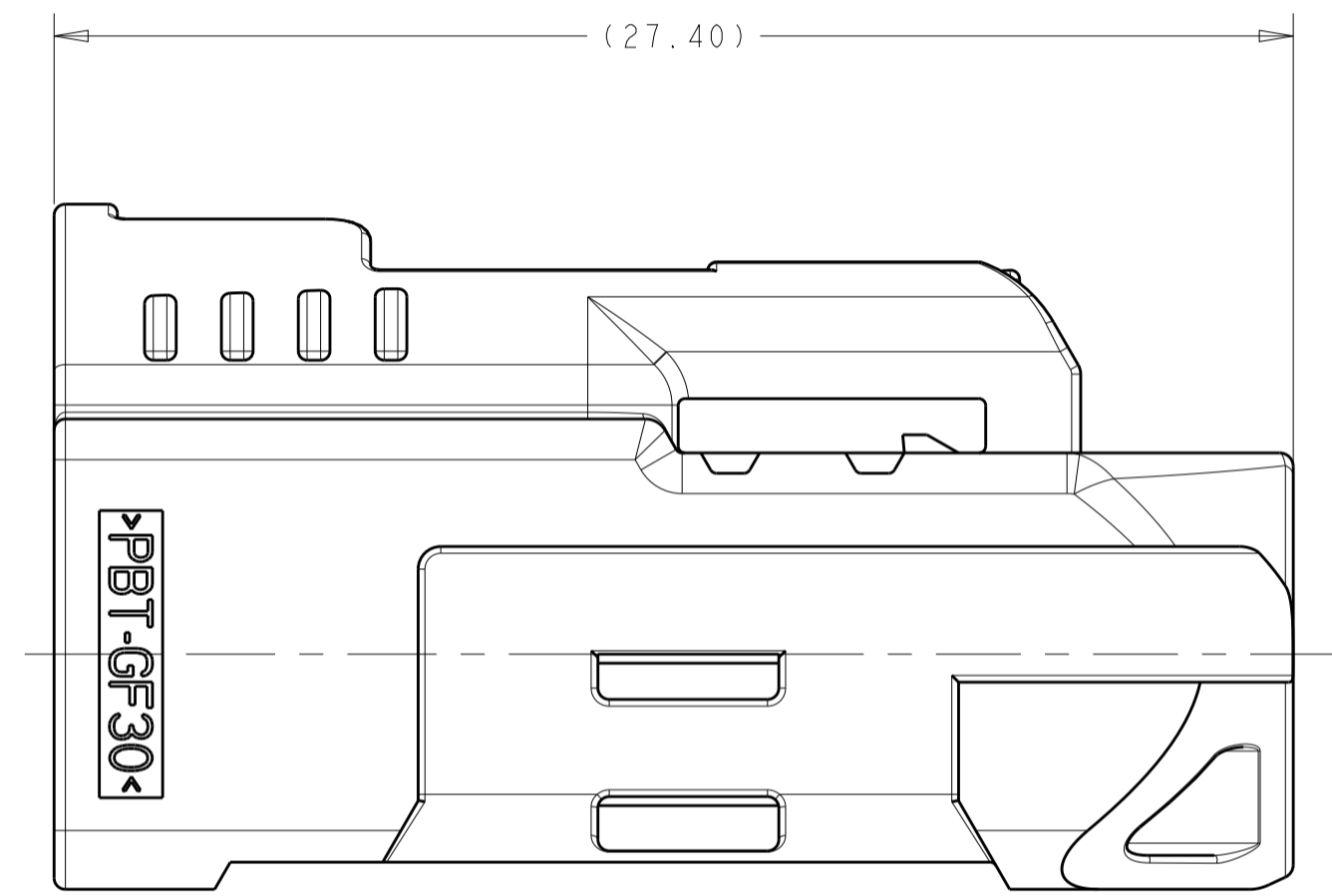
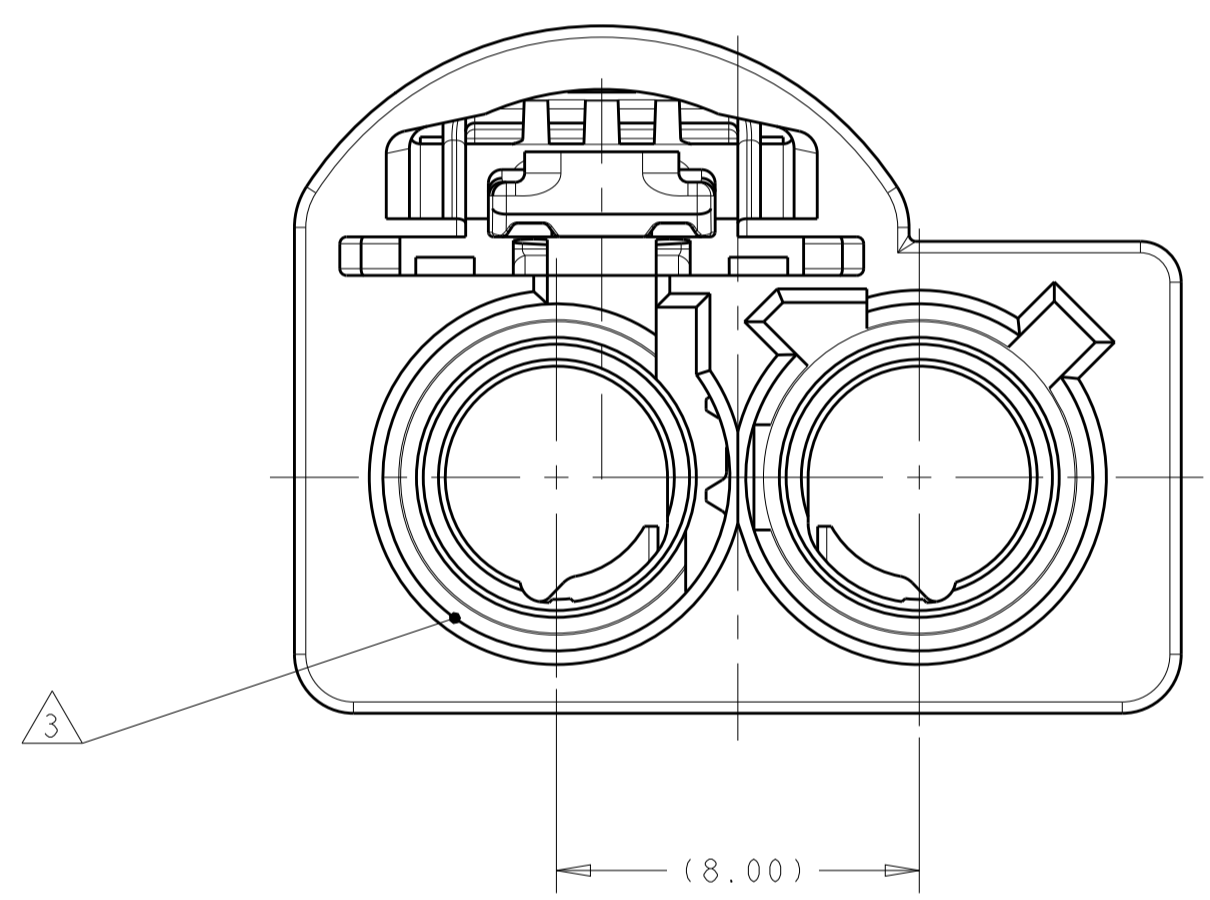


REVISIONS				
P.	LTN.	DESCRIPTION	DATE	APVD.
1		INITIAL DRAWING.	24APR2017	JAB ERL



ISOMETRIC VIEWS
SCALE 3:1

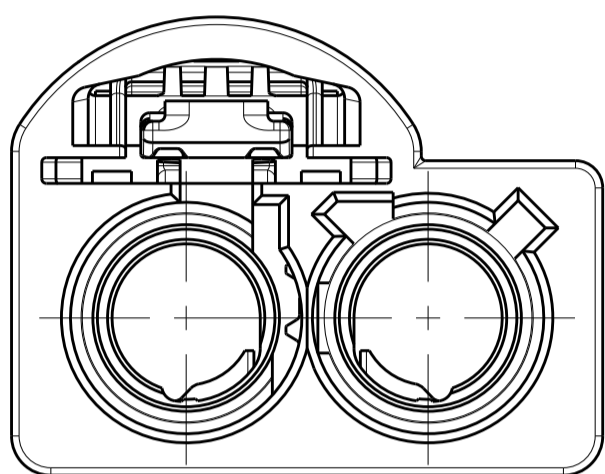


Z	PER DETAIL Z	WATER BLUE	2-2289727-0
N	PER DETAIL N	PASTEL GREEN	1-2289727-3
M	PER DETAIL M	PASTEL ORANGE	1-2289727-2
L	PER DETAIL L	CARMINE RED	1-2289727-1
K	PER DETAIL K	CURRY	1-2289727-0
I	PER DETAIL I	BEIGE	2289727-9
H	PER DETAIL H	HEATHER VIOLET	2289727-8
G	PER DETAIL G	BLUE GREY	2289727-7
F	PER DETAIL F	NUT BROWN	2289727-6
E	PER DETAIL E	LEAF GREEN	2289727-5
D	PER DETAIL D	CLARET VIOLET	2289727-4
C	PER DETAIL C	SIGNAL BLUE	2289727-3
B	PER DETAIL B	CREAM	2289727-2
A	PER DETAIL A	JET BLACK	2289727-1
KEY CODE	KEYING	CODING COLOR	PART NUMBER

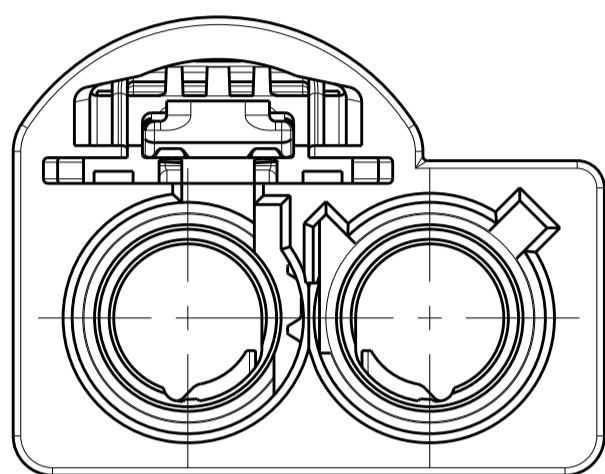
- 1. 2289727-1 AS SHOWN.
- 2 MATERIAL, POLYESTER PBT, COLOR SEE TABLE.
- 3 FEMALE INTERFACE PER ISO-20860-1, ISO-20860-2, SAE/USCAR-17, SAE/USCAR-18.

THIS DRAWING IS A CONTROLLED DOCUMENT.		OWN J.A.BAKER 24APR2017	TE Connectivity NAME FEMALE HOUSING, CLIP SLOT, 2 POSITION, 8.0mm CENTERLINE, 180 DEGREE, FAKRA SIZE CAGE CODE DRAWING NO RESTRICTED TO A1 - C=2289727 SCALE 6:1 SHEET 1 OF 2 REV A
DIMENSIONS:		CHK E.R.LOVE 28JUL2017	
TOLERANCES UNLESS OTHERWISE SPECIFIED:		APVD E.R.LOVE 28JUL2017	
mm		PRODUCT SPEC 108-32137	
0 PLC ±		APPLICATION SPEC 114-32145	
1 PLC ±		WEIGHT	
2 PLC ±		CUSTOMER DRAWING	
3 PLC ±			
4 PLC ±			
ANGLES ±			
FINISH ±			

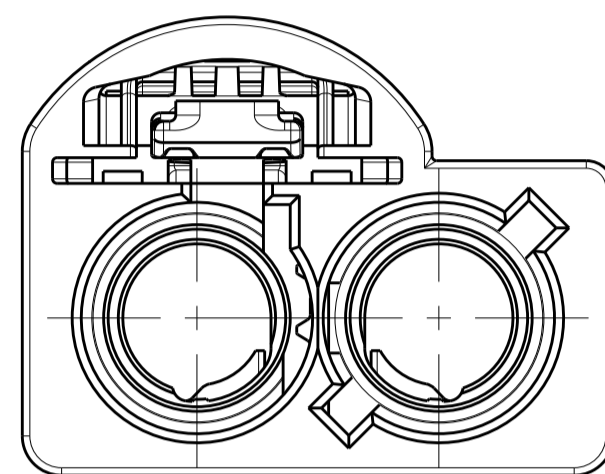
REVISIONS				
P.	LTN	DESCRIPTION	DATE	APP'D
-		SEE SHEET 1	-	-



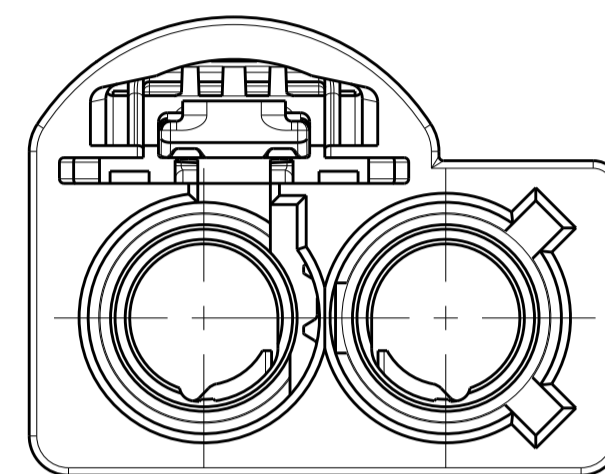
DETAIL A
SCALE 4:1



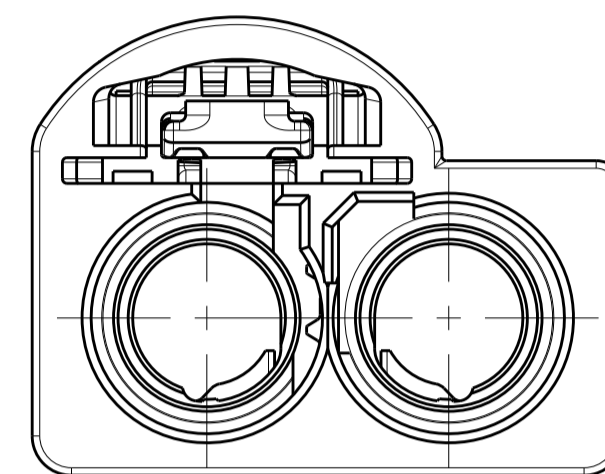
DETAIL B
SCALE 4:1



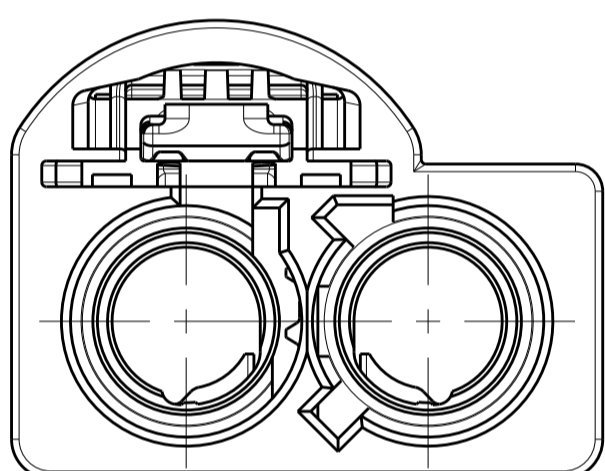
DETAIL C
SCALE 4:1



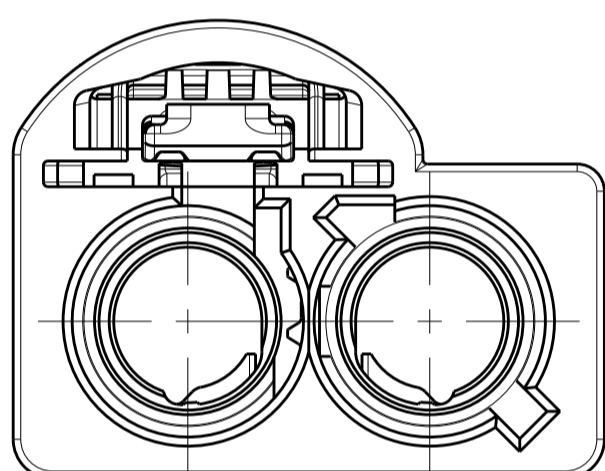
DETAIL D
SCALE 4:1



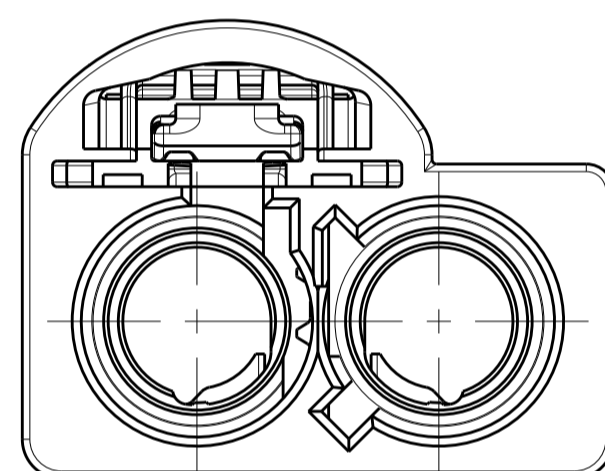
DETAIL E
SCALE 4:1



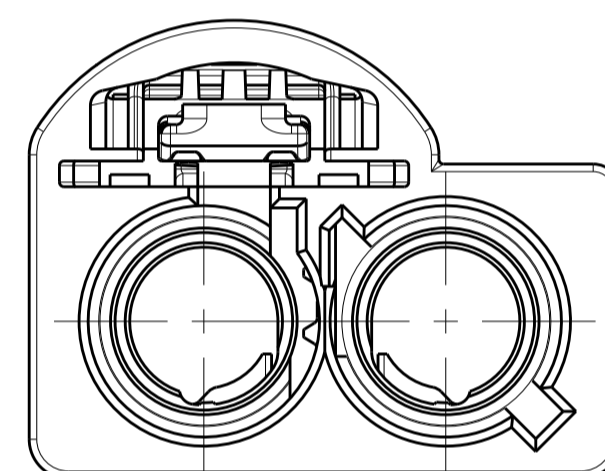
DETAIL F
SCALE 4:1



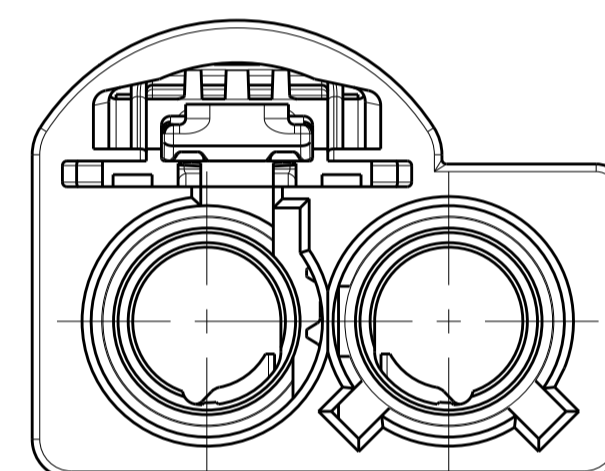
DETAIL G
SCALE 4:1



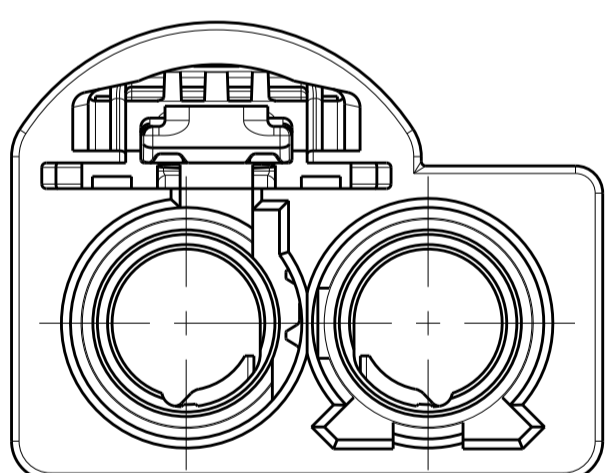
DETAIL H
SCALE 4:1



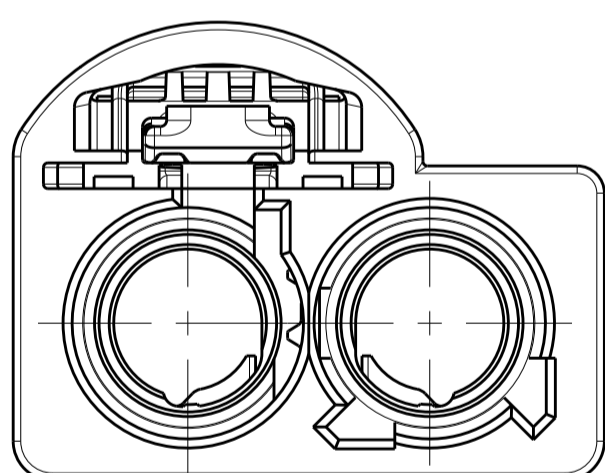
DETAIL I
SCALE 4:1



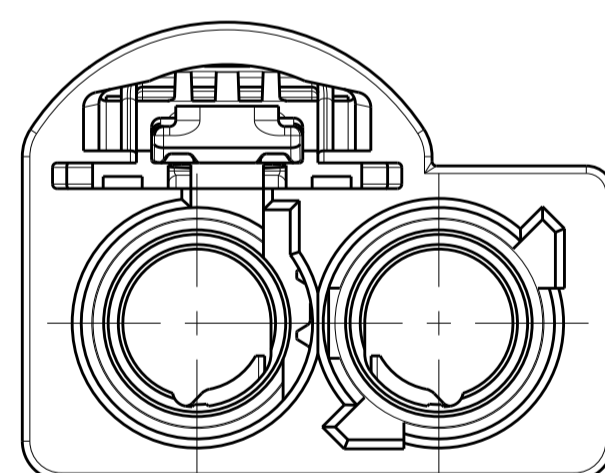
DETAIL K
SCALE 4:1



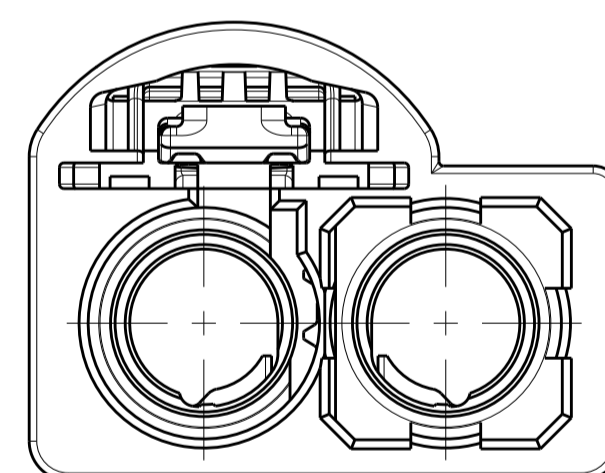
DETAIL L
SCALE 4:1



DETAIL M
SCALE 4:1



DETAIL N
SCALE 4:1



DETAIL Z
SCALE 4:1

THIS DRAWING IS A CONTROLLED DOCUMENT.		OWN: J.A. BAKER 24APR2017	
DIMENSIONS: mm		CHK: E.R. LOVE 28JUL2017	
TOLERANCES UNLESS OTHERWISE SPECIFIED:		APVD: E.R. LOVE 28JUL2017	NAME: FEMALE HOUSING, CLIP SLOT, 2 POSITION, 8.0mm CENTERLINE, 180 DEGREE, FAKRA
0 PLC ±	1 PLC ±	PRODUCT SPEC: 108-32137	SIZE: A1
2 PLC ±	3 PLC ±	APPLICATION SPEC: 114-32145	CAGE CODE: -
4 PLC ±	ANGLES ±	WEIGHT: -	DRAWING NO: C=2289727
FINISH ±		CUSTOMER DRAWING	RESTRICTED TO: -
SCALE: 5:1			SHEET: 2 OF 2
REV: A			