

GlobTek, Inc. www.globtek.com 186 Veterans Drive, Northvale, NJ 07647 Tel. (201) 784-1000 Fax (201) 784-0111	Drawing Title: INSERT SLEEVE, SPACER, FOR IEC 60320 C19, BLACK, TO CREATE A TIGHT FIT BETWEEN A POWER CORD AND RECEPTACLE DUE TO IEC 60320 TOLERANCES	
	Model No. Power Cord	
	Part No./Ordering No. C19-SLEEVE-BLKR(R)	Rev A

In Addition to GlobTek Inc.'s renewed ISO9001:2008 - Quality Management System Certification, GlobTek Inc. is now certified to:

ISO13485:2003 - Medical Devices Quality Management System Certification
ISO14001:2004 - Environmental Management System Certification

ISO Certificates are available online at <http://www.globtek.com/iso-certificates/>

The acceptance of this specification and use of the product described in this document indicates the acceptance and binding of the customer to Globtek TERMS AND CONDITIONS (attached to the end of this document), which supersede all other agreements, terms, and conditions (<http://en.globtek.com/terms-and-conditions/>).

Prop 65 Statement:<https://en.globtek.com/prop-65-statement.pdf>

Footnote:

GlobTek Inc. will not be liable for the safety and performance of these power supplies if unauthorized access and repair occurs. End user should consult applicable UL, CSA or EN standards for proper installation instruction.

Limitation of Use:

GlobTek products are intended for use with commercial, medical, and/or industrial equipment only. GlobTek product are not authorized for use as mission critical components in life support hazardous environment, nuclear or aircraft applications without prior written approval from the CEO of GlobTek Inc.

Contents of this document are subject to change without prior notice.

Customer Approval of Specification:

Please approve, sign and send back to GlobTek so we can complete order processing.

A delay in receipt of this form will delay delivery schedule.

Company Name: _____	Customer P/N: _____
Quote Number: _____	Date: _____
Authorized Representative Name: _____	Authorized Representative Signature: _____

GlobTek, Inc. www.globtek.com 186 Veterans Drive, Northvale, NJ 07647 Tel. (201) 784-1000 Fax (201) 784-0111	Drawing Title: INSERT SLEEVE, SPACER, FOR IEC 60320 C19, BLACK, TO CREATE A TIGHT FIT BETWEEN A POWER CORD AND RECEPTACLE DUE TO IEC 60320 TOLERANCES	
	Model No. Power Cord	
Part No./Ordering No. C19-SLEEVE-BLKR(R)		Rev A

REVISION HISTORY

REV	DESCRIPTION	SUB	DATE	APPROVED
A	Initial release	DR	03/01/2022	DAVID

AGENCY ONLINE DOCUMENTS

<http://en.globtek.com/cordsets/>

RoHS/RoHS3 Declaration

https://www.globtek.com/pdf/rohs_cert/01t3a000005Kj0tAAC

REACH Declaration

https://www.globtek.com/pdf/iso_certificates/REACH.pdf

Conflict Minerals Declaration

<https://www.globtek.com/pdf/conflict-minerals.pdf>

Prop 65 Statement

<https://en.globtek.com/prop-65-statement.pdf>

IPXY rating is based on 3rd party testing and customers should check suitability and test system level IPXY rating before ordering.

INSERT SLEEVE, SPACER, FOR IEC 60320 C19, BLACK, TO CREATE A TIGHT FIT BETWEEN A POWER CORD AND RECEPTACLE DUE TO IEC 60320 TOLERANCES

- Easily slips onto the end of the C19 plug
- Eliminates C19 plug from jiggling in place
- Strength to securely hold plug in place

Photo of product applied:



*Only the black sleeve is included

Sleeve Color: Black

Sleeve Material: PA66 Plastic Polyamide (Nylon)

flammability rating of UL 94V-2

Operating Temperature: -20°C to +80°C

Average Extraction Force: 30 lbs/sq. in.

Weight: 0.001 lbs

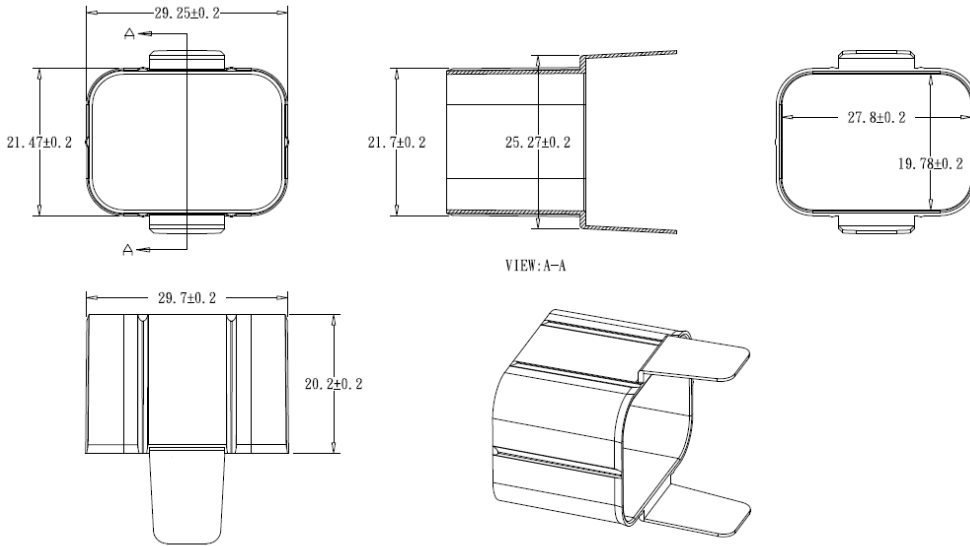
PROPRIETARY INFORMATION

PROPRIETARY OF GLOBTEK, INC. ANY REPRODUCTION, DISCLOSURE OR USE OF THIS DRAWING, IN WHOLE OR IN PART, IS HEREBY PROHIBITED EXCEPT AS SPECIFIED IN

WRITING BY GLOBTEK, INC. © GlobTek, Inc. 2022 - 2023

quest /05/11/2023 7:56:52 AM CLONED FROM C13C17-SLEEVE-BLKR(R)

GlobTek, Inc. www.globtek.com 186 Veterans Drive, Northvale, NJ 07647 Tel. (201) 784-1000 Fax (201) 784-0111	Drawing Title: INSERT SLEEVE, SPACER, FOR IEC 60320 C19, BLACK, TO CREATE A TIGHT FIT BETWEEN A POWER CORD AND RECEPTACLE DUE TO IEC 60320 TOLERANCES
	Model No. Power Cord
Part No./Ordering No. C19-SLEEVE-BLKR(R)	Rev A



Warning: When removing connector with this sleeve included, take care not to damage the inlet when removing the connector. To remove the Sleeve that remains in the inlet after cord extraction, ensure the power cord is not plugged into power and use a non-conductive tool to extract.

Installation instructions: Fully insert cord to avoid arcing between conductors. Without a sleeve, 9 lbs of force pull are required to extract a C19 connector from a C20 receptacle. When using this sleeve the average is 30 lbs of force pull to extract a C13 connector. Repeated insertions and extractions may reduce the force pounds required to extract a C13 Connector over time.

For proper performance, use on GlobTek power cords only.

GlobTek, Inc. www.globtek.com 186 Veterans Drive, Northvale, NJ 07647 Tel. (201) 784-1000 Fax (201) 784-0111	Drawing Title: INSERT SLEEVE, SPACER, FOR IEC 60320 C19, BLACK, TO CREATE A TIGHT FIT BETWEEN A POWER CORD AND RECEPTACLE DUE TO IEC 60320 TOLERANCES	
	Model No. Power Cord	
	Part No./Ordering No. C19-SLEEVE-BLKR(R)	Rev A

PACKAGING

Packing Spec P/N:	
Box Qty:	1600
Gift Box Size (mm):	
Gift Box Color:	White
Master Carton Size (mm):	TBD
Master Carton Cubic Volume (m³):	0.00
Master GW (Kg):	1.9 kg
wt Ea. (Kg):	0.00 kg
wt Ea. (Kg):	0.00 kg
LABEL SPECS: ,	
PACK SPEC:	