

SCNRJ-1010GGMSEGY-073GSO RTH

SUNTSU **RJ45**
CONNECTOR

POSITIONS
 10 : 10

CONTACTS
 10 : 10

CONTACT PLATING
 GG : 6u" Gold Plating

MAGENETIC
 M : With

EMI Finger
 E : With

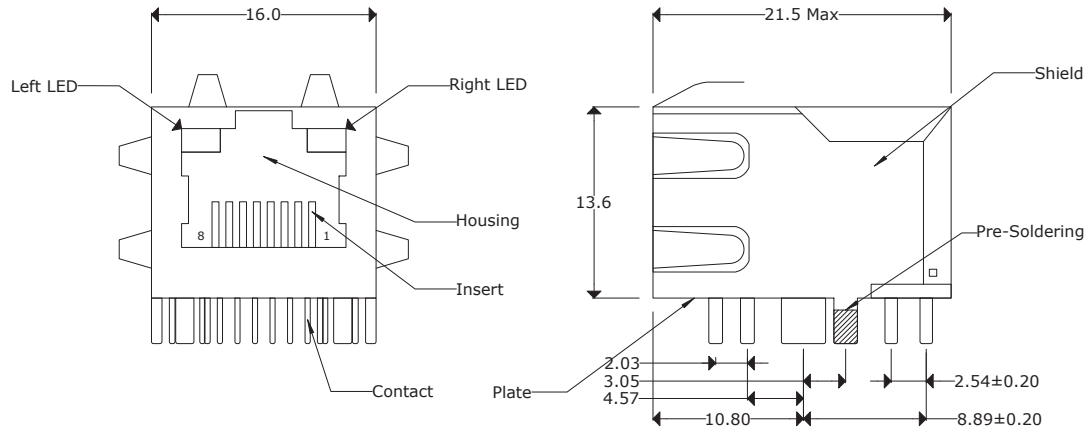
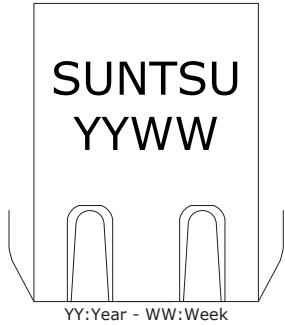
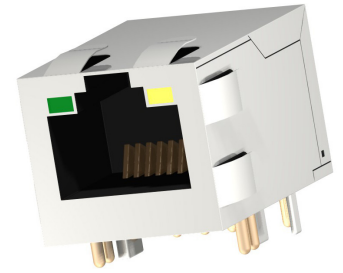
LED COLOR
 GY : Left - Green
 Right - Yellow

OPERATING TEMP
 07 : 0~70°C

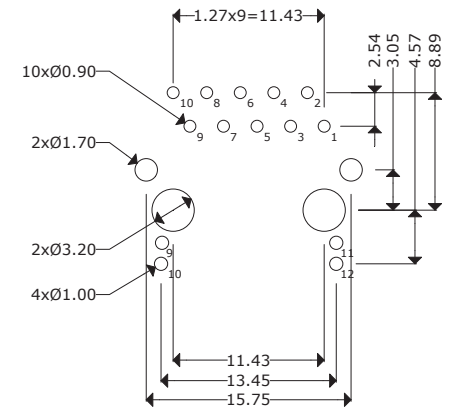
CONTACT TERMINATION
 SO : SOLDER

HEIGHT
 3G : 13.6mm

MOUNTING STYLE
 RTH : Right Angle
 Through Hole



PC Board Layout

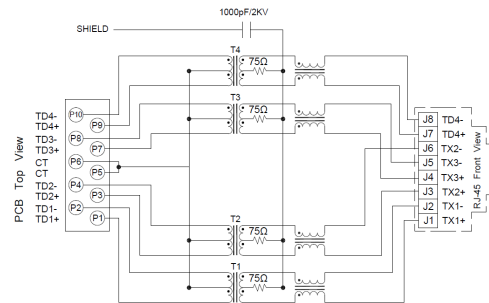


Electrical Parameters

Turn Ratio(±5%): 1CT:1CT
 Inductance(100KHz/0.1V@8mA): 350uH MIN
 Insertion Loss(dB MAX): -1.2dB(0.3-100MHz)
 Return Loss(dB MIN): -16dB(1-30MHz), -13.5dB(40MHz), -11.5dB(50MHz), -10dB(60-80MHz)
 Cross Talk(dB MIN): -40dB(30MHz), -36dB(60MHz), -30dB(100MHz)
 DCMR(dB MIN): -35dB(30MHz), -32dB(60MHz), -30dB(100MHz)
 HI-POT(Pri to Sec): 1500Vrms

Materials

Housing: Nylon 66 UL94V-0 Standard color Black
 Insert: Phos-Bronze C5210 EH---0.35 Thickness
 Insert: PBT GF UL94V-0
 Insert Plating: (1) Nickel (2) 100% Sn (3) Gold (6u")
 Plate: PBT GF UL 94V-0
 Contact Pin: Phos-Bronze C5191---0.35 Thickness
 Contact Plating: (1) Nickel (2) 100% Sn
 Shielding: Brass C2680 Plating Nickel



Remarks:
 Operating Life: 750 Cycles MIN.

Standard LED	Wavelength	Forward*V(MAX)	TYP
Green	565nm	2.5V	2.2V
Yellow	585nm	2.5V	2.1V

With a forward current of 20mA



1000 BASE-T SINGLE PORT RJ45 JACK MAGNETICS

Document History

Edits Made	Date	Edited By	Approved By
Initial Release	10/06/2021	B. Gibbons	KH Mun

Part No.
SCNRJ-1010GGMSEGY-073GSORTRH
Scale
Unit
mm

Drawn
B. Gibbons 10/06/2021
Tolerance
Unless otherwise specified, all tolerances are ±0.25
Pages
1/1