

2008

RELEASED FOR PUBLICATION

ALL RIGHTS RESERVED.

THIS DRAWING IS UNPUBLISHED.

BY -

© COPYRIGHT 2008

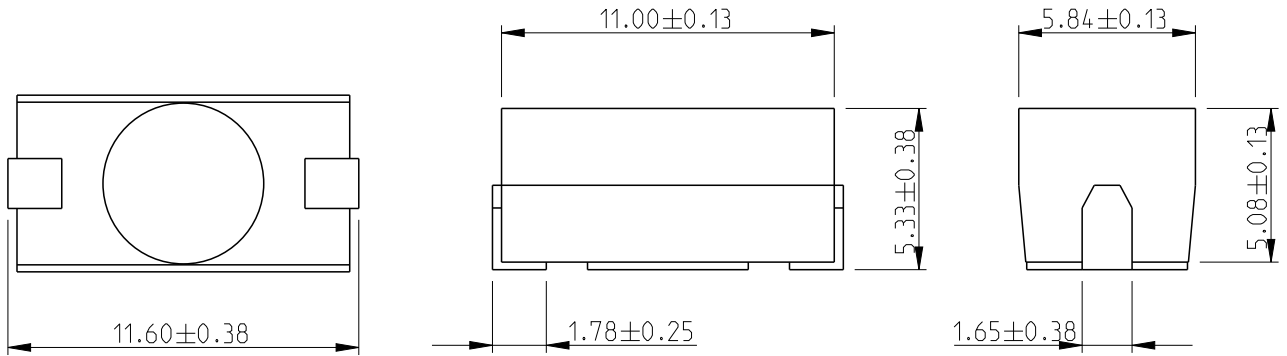
REVISIONS

P	LTR	DESCRIPTION	DATE	DWN	APVD
	BA	NEW RELEASE	10JULY2010	PT	St.P
	BA1	ECR-13-019092	07DEC2013	KR	TN
	BB	ECR-14-002163	17FEB2014	KR	TN

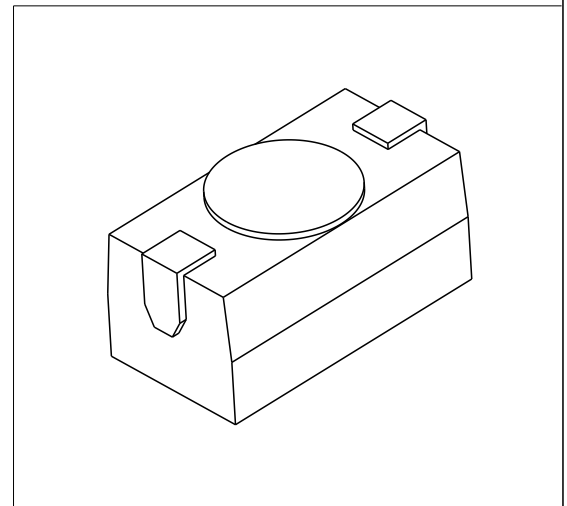
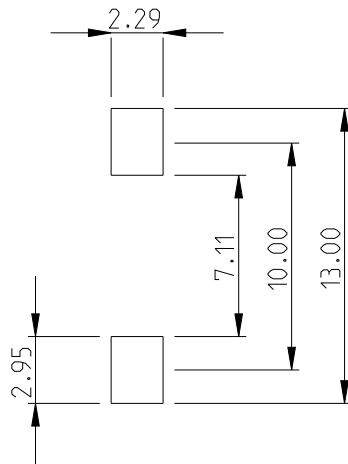
FOR FURTHER INFORMATION SEE DATA SHEET FOR SERIES S - SMD MOULDED POWER RESISTOR


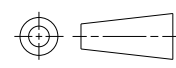
NOTE:

1. Terminal Finish - Hot Dipped Sn. Min 5µM



RECOMMENDED LAND PATTERN



DIMENSIONS:		DWN	10JULY2010	MATERIAL	-	FINISH	-
mm		PARUSURAM.T		 TE Connectivity			
TOLERANCES UNLESS OTHERWISE SPECIFIED:		CHK	10JULY2010				
0 PLC $\pm 0.2$		ALLAN.P		NAME SMD MOULDED POWER RESISTOR SERIES SP2			
1 PLC $\pm 0.1$		APVD	10JULY2010				
2 PLC $\pm$		STEPHEN.P		SIZE   CAGE CODE   DRAWING NO   RESTRICTED TO A 4   00779   C-1624299   -			
3 PLC $\pm$		PRODUCT SPEC	-				
4 PLC $\pm$		APPLICATION SPEC	-	SCALE   SHEET   OF   REV 4:1   1   1   BB			
ANGLES $\pm 5^\circ$		WEIGHT	-				
		Customer Drawing					