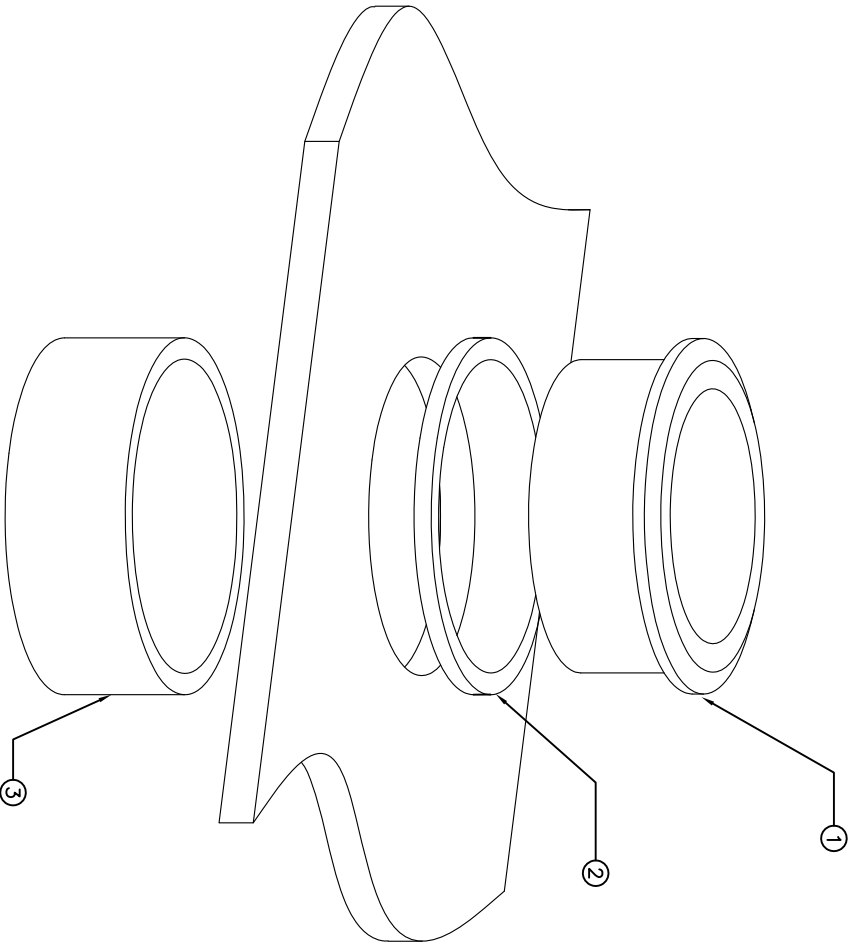


THIS DOCUMENT IS THE PROPERTY OF APEM COMPONENTS AND SHALL NOT BE COPIED, REPRODUCED, DISCLOSED OR USED AS THE BASIS FOR MANUFACTURING OR SALE WITHOUT PERMISSION OF A DULY AUTHORIZED REPRESENTATIVE OF APEM COMPONENTS INC.



DATE	SYM	REVISION RECORD	DWNL	CK
3/09	B	ECO# 833	CD	PD
4/09	C	ECO# 838	CD	PD

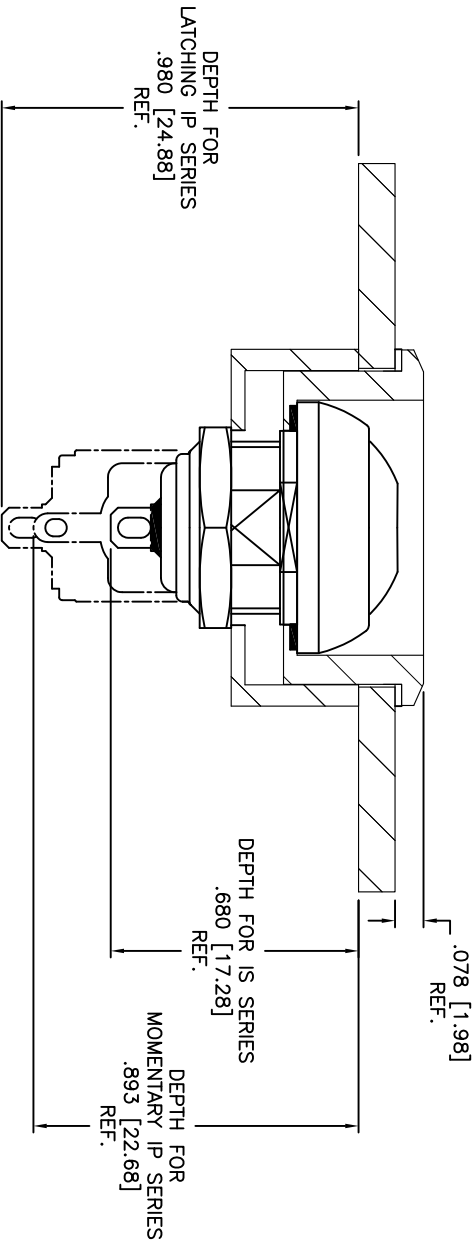
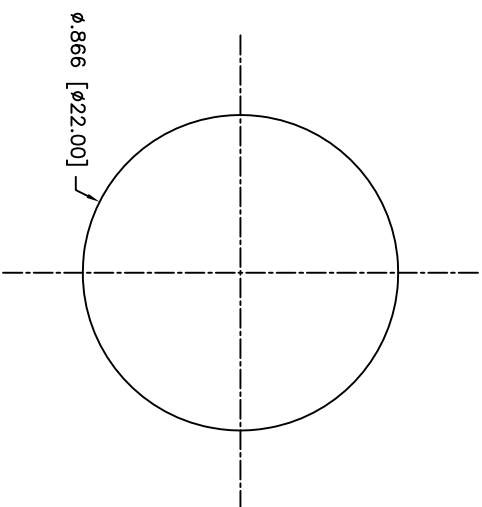
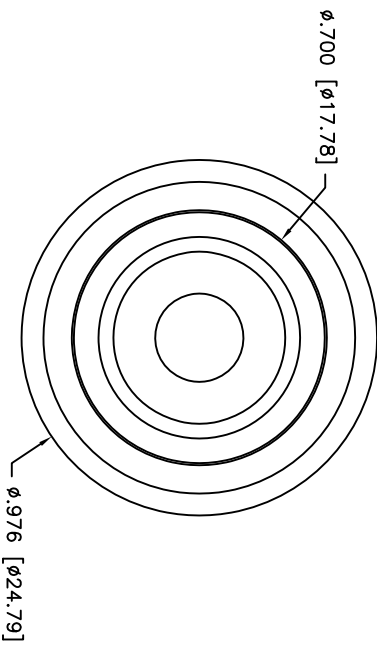
HP**
 L COLOR:
 00 = CLEAR ANODIZED
 02 = BLACK ANODIZED
 03 = GREEN ANODIZED
 06 = RED ANODIZED

NOTE: ALL COLOR OPTIONS WILL BE SUPPLIED WITH A BLACK SWITCH COLLAR (ITEM 3).

NUMBER	QTY.	DESCRIPTION	PART NUMBER
1	1	RECESSED SWITCH BEZEL	E0139P1
2	1	SEALING GASKET	26-0036
3	1	RECESSED SWITCH COLLAR	E0139P2



Q.A. INSPECT: Δ		APEM <small>APEM COMPONENTS</small> 63 Nork Rd. 01850 North Attleboro, MA Phone: 508-372-3534		P.N.: CJD BR.: OR.: PJD
DESIGNATES CRITICAL DIMENSION		INCH SHEET SIZE 1 OF 2 B	SCALE 3:1	THIRD ANGLE PROJECTION
TOLERANCES (except as noted) .XX = ±.02[0.5] .XXX = ±.008[0.20] .XXXX = ±.0008[0.02] ANGLE = ±0.5°		TITLE RECESSED PUSHBUTTON BEZEL		
DO NOT SCALE DRAWING		DATE 2/17/09	DRAWING NO. HP**	REV C

THIS DOCUMENT IS THE PROPERTY OF APEM COMPONENTS AND SHALL NOT BE COPIED, REPRODUCED, DISCLOSED OR USED AS THE BASIS FOR MANUFACTURING OR SALE WITHOUT PERMISSION OF A DULY AUTHORIZED REPRESENTATIVE OF APEM COMPONENTS INC.



NOTE:
MATERIAL: MACHINED ALUMINIUM

DATE	SYM	REVISION RECORD	DWN.	CK.

Q.A. INSPECT: Δ DESIGNATES CRITICAL DIMENSION		 63 Neck Rd. 01835 Holyoke, MA Phone: 508-772-3554		DRN. CJD BR. OR. PJD
TOLERANCES (UNLESS OTHERWISE SPECIFIED) .XX = ±.02 [0.5] .XXX = ±.008 [0.20] .XXXX = ±.0008 [0.02] ANGLE = 30.5°	SHEET 2 OF 2 SIZE B SCALE 3:1	THIRD ANGLE PROJECTION 	DATE 2/17/09 DRAWING NO. HP**	REV C

1 2 3 4 5 6 7 8