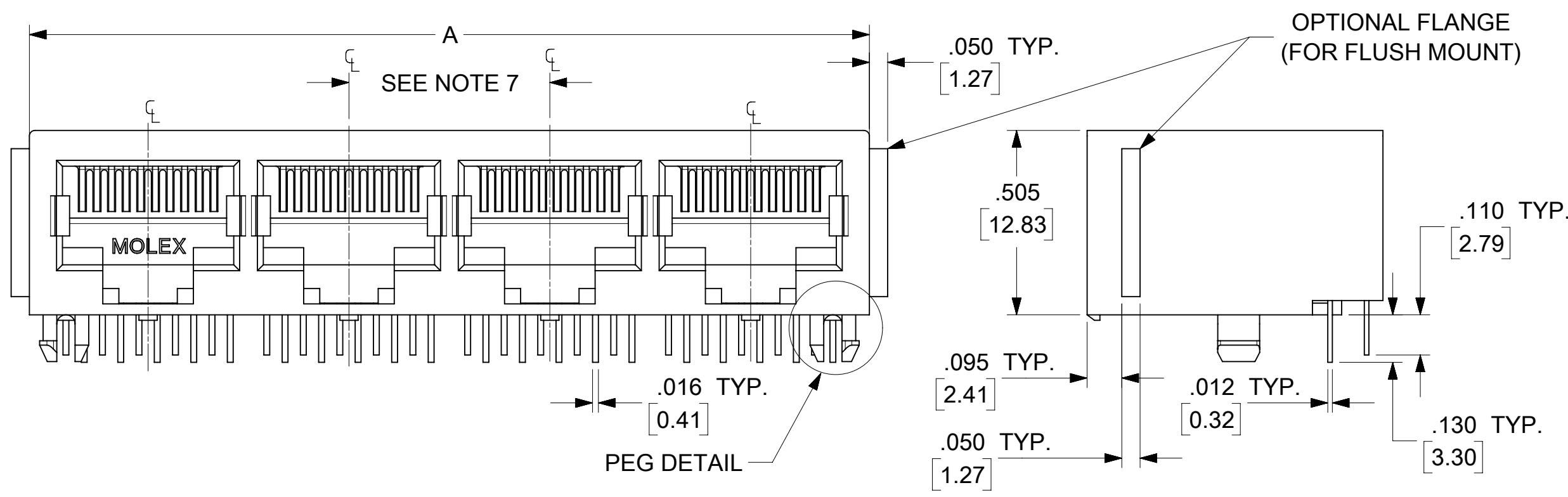


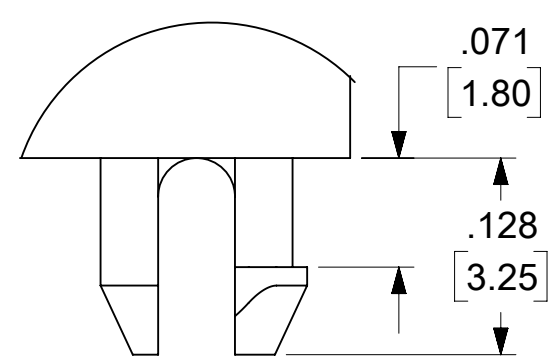
NOTES:

- 1) MATERIAL:
HOUSING: GLASS FILLED NYLON, UL94V-0, COLOR: BLACK
INSULATOR: GLASS FILLED NYLON, UL94V-0, COLOR: BLACK
TERMINALS: PHOSPHOR BRONZE: .012/ 0.30 THICK
- 2) FINISH:
TERMINALS:
SELECT GOLD IN CONTACT AREA: 50 MICROINCHES/ 1.27 MICROMETERS MIN.,
*SELECT TIN IN PC TAIL AREA: 100 MICROINCHES/ 2.54 MICROMETERS MIN.,
WITH OVERALL NICKEL UNDERPLATE: 50 MICROINCHES/ 1.27 MICROMETERS MIN.
*THE PRIMARY SHIPPING CARTON WILL BE LABELED "COMPLIANT TO RoHS DIRECTIVE 2002/95/EC AND ELV ANNEX II OF DIRECTIVE 2000/53/EC".
CARTONS WITHOUT THIS LABEL MAY CONTAIN PRODUCT WITH TIN-LEAD IN THE PC TAIL AREA.
- 3) PRODUCT SPECIFICATION AND PROCESSING PARAMETERS: PS-43223-001.
- 4) PACKAGING SPECIFICATION:
UNSHIELDED CONNECTOR ASSEMBLIES PACKAGED IN TRAYS PER MOLEX PACKAGING SPECIFICATION PK-43249-004.
- 5) SEE SHEETS 4-6 FOR P.C. BOARD LAYOUTS.
- 6) SEE SHEET 2 FOR THE SHIELDED JACK ASSEMBLY.
- 7) FOR 6 CIRCUIT JACKS CENTERLINE TO CENTERLINE SPACING IS .448/ 11.38, FOR 8 CIRCUIT JACKS CENTERLINE TO CENTERLINE SPACING IS .550/ 13.97.
- 8) ALL UNTOLERANCED DIMENSIONS ARE SHOWN FOR REFERENCE ONLY.
- 9) THIS PART CONFORMS TO CLASS B REQUIREMENTS OF COSMETIC SPECIFICATION PS-45499-002.

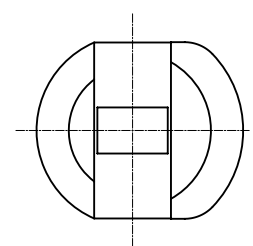


**4 PORT 8 LOADED
10 JACK SHOWN**

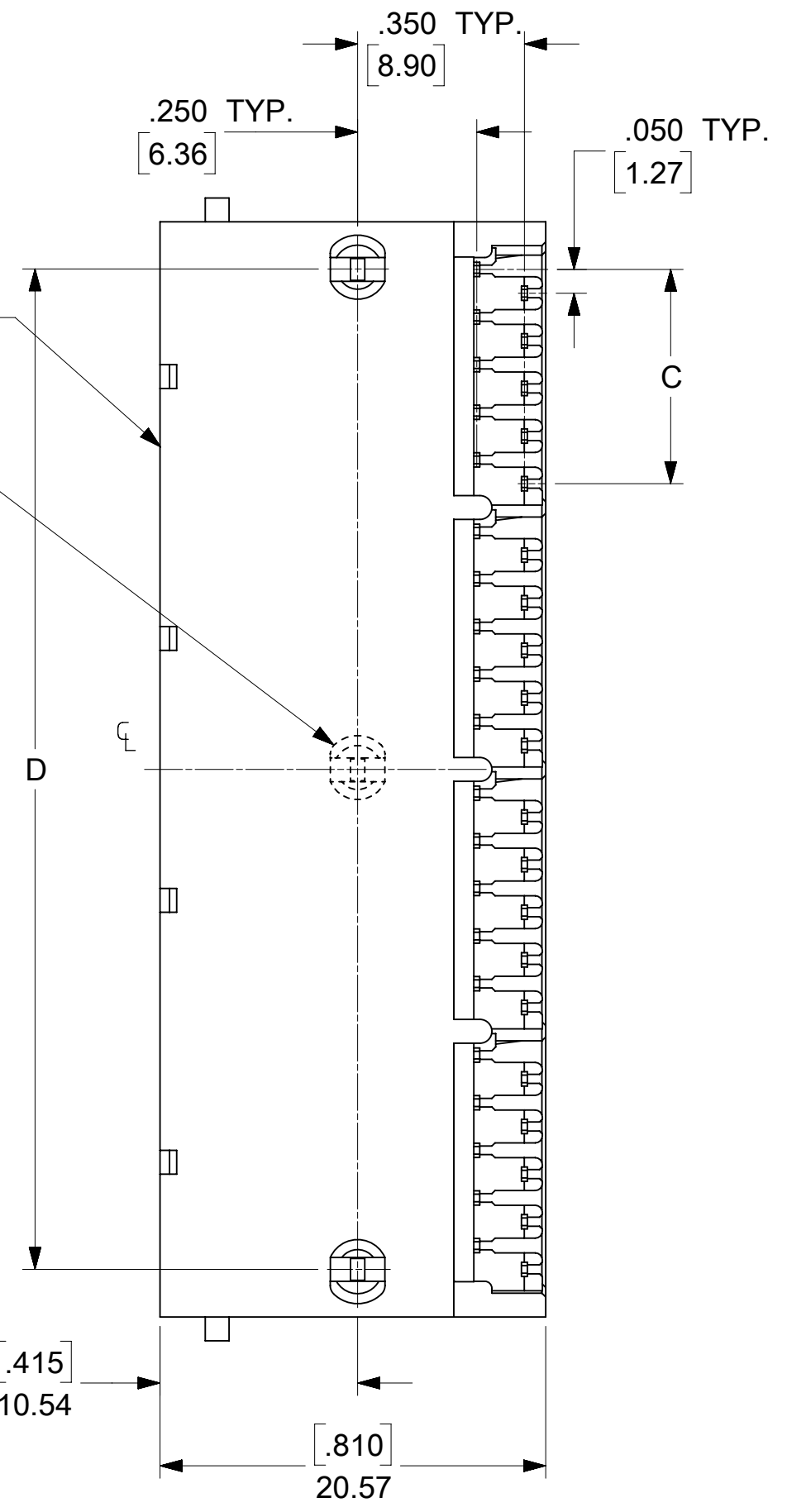
UNSHIELDED GANGED JACK ASSEMBLY
SHEET 3



CENTER PEG
(8 PORT ASSY. ONLY)



SNAP FIT
PEG DETAIL
SCALE 8:1



6 CIRCUIT HOUSING

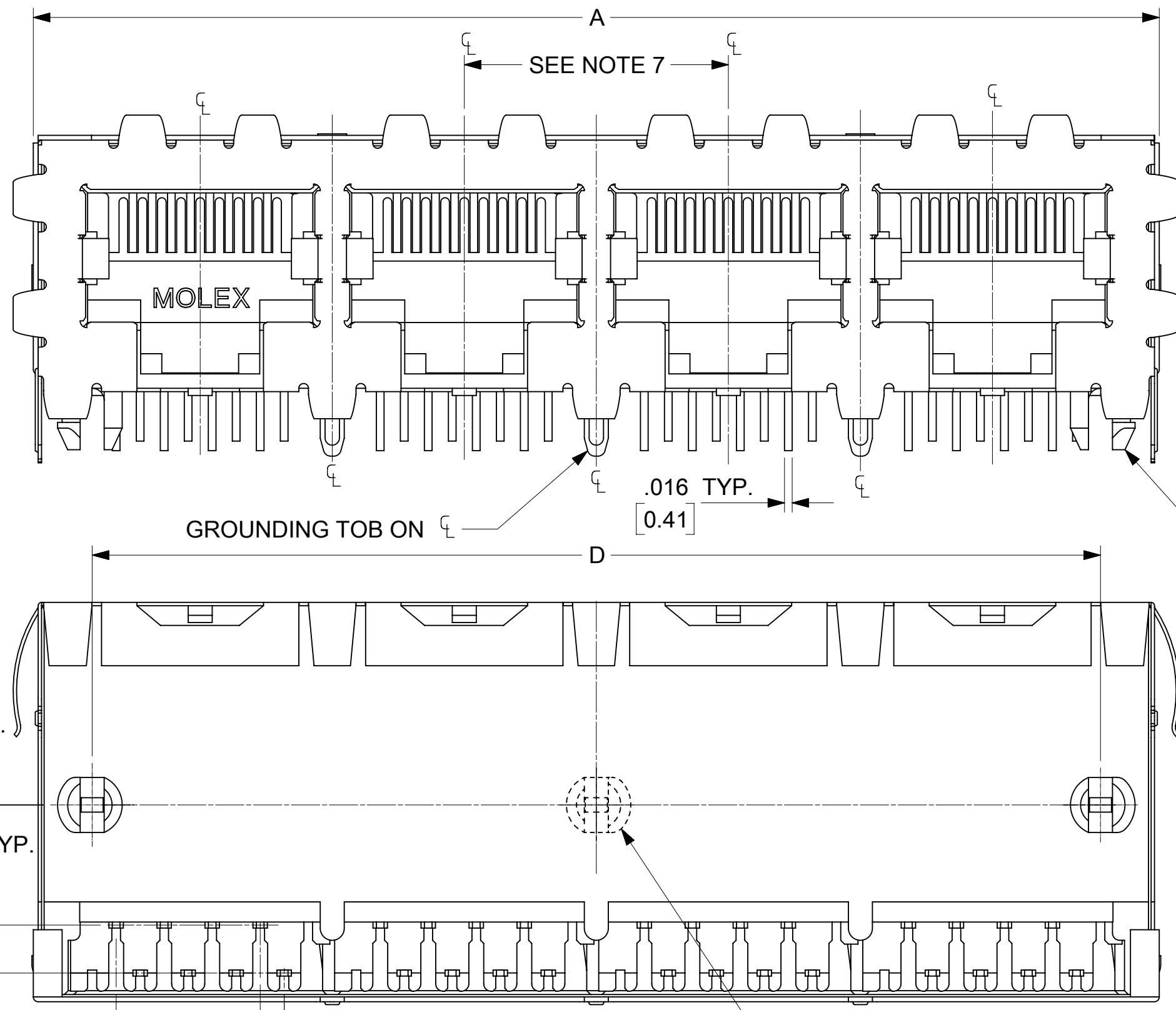
CIRCUIT SIZE	NO. OF PORTS	DIM. A	DIM. C	DIM. D
6	2	.985 (25.02)	.250 (6.35)	.848 (21.54)
4	2	.985 (25.02)	.150 (3.81)	.848 (21.54)
2	2	.985 (25.02)	.050 (1.27)	.848 (21.54)
6	3	1.433 (36.40)	.250 (6.35)	1.296 (32.92)
4	3	1.433 (36.40)	.150 (3.81)	1.296 (32.92)
2	3	1.433 (36.40)	.050 (1.27)	1.296 (32.92)
6	4	1.881 (47.78)	.250 (6.35)	1.744 (44.30)
4	4	1.881 (47.78)	.150 (3.81)	1.744 (44.30)
2	4	1.881 (47.78)	.050 (1.27)	1.744 (44.30)
6	5	2.329 (59.16)	.250 (6.35)	2.192 (55.68)
4	5	2.329 (59.16)	.150 (3.81)	2.192 (55.68)
2	5	2.329 (59.16)	.050 (1.27)	2.192 (55.68)
6	6	2.777 (70.54)	.250 (6.35)	2.640 (67.06)
4	6	2.777 (70.54)	.150 (3.81)	2.640 (67.06)
2	6	2.777 (70.54)	.050 (1.27)	2.640 (67.06)
6	8	3.673 (93.29)	.250 (6.35)	3.536 (89.81)
4	8	3.673 (93.29)	.150 (3.81)	3.536 (89.81)
2	8	3.673 (93.29)	.050 (1.27)	3.536 (89.81)

8 CIRCUIT HOUSING

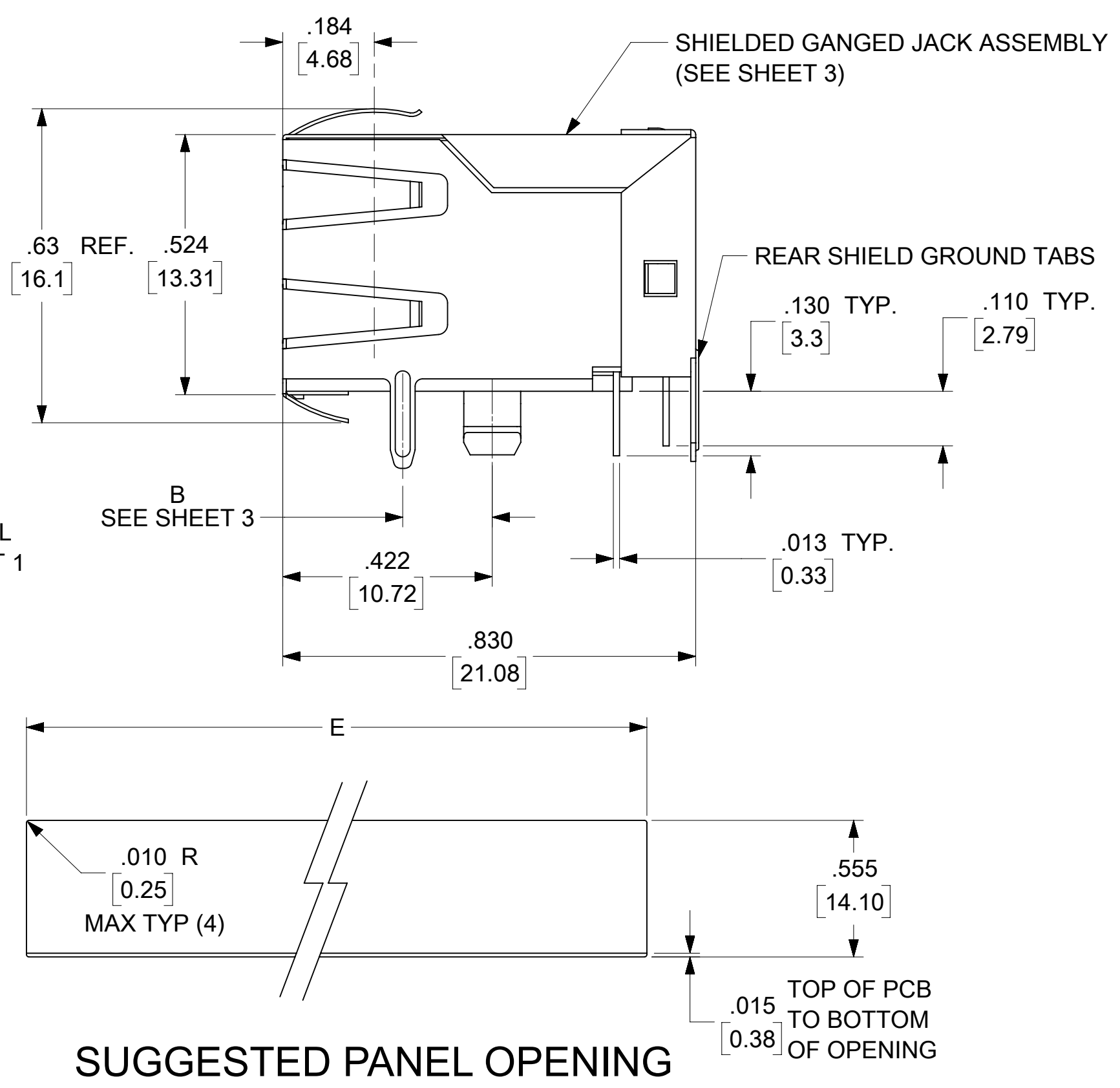
CIRCUIT SIZE	NO. OF PORTS	DIM. A	DIM. C	DIM. D
10	2	1.200 (30.48)	.450 (11.43)	1.000 (25.40)
8	2	1.200 (30.48)	.350 (8.89)	1.000 (25.40)
6	2	1.200 (30.48)	.250 (6.35)	1.000 (25.40)
10	3	1.750 (44.45)	.450 (11.43)	1.550 (39.37)
8	3	1.750 (44.45)	.350 (8.89)	1.550 (39.37)
6	3	1.750 (44.45)	.250 (6.35)	1.550 (39.37)
4	3	1.750 (44.45)	.150 (3.81)	1.550 (39.37)
10	4	2.300 (58.42)	.450 (11.43)	2.100 (53.34)
8	4	2.300 (58.42)	.350 (8.89)	2.100 (53.34)
4	4	2.300 (58.42)	.150 (3.81)	2.100 (53.34)
4	5	2.850 (72.39)	.150 (3.81)	2.650 (67.31)
10	5	2.850 (72.39)	.450 (11.43)	2.650 (67.31)
8	5	2.850 (72.39)	.350 (8.89)	2.650 (67.31)
10	6	3.400 (86.36)	.450 (11.43)	3.200 (81.28)
8	6	3.400 (86.36)	.350 (8.89)	3.200 (81.28)
10	8	4.500 (114.30)	.450 (11.43)	4.300 (109.22)
8	8	4.500 (114.30)	.350 (8.89)	4.300 (109.22)

THIS DRAWING CONTAINS INFORMATION THAT IS PROPRIETARY TO MOLEX ELECTRONIC TECHNOLOGIES, LLC AND SHOULD NOT BE USED WITHOUT WRITTEN PERMISSION

DIMENSION UNITS	SCALE	CURRENT REV DESC: REMOVED OBSOLETE PART NUMBER AS PER PCN#509457.	molex		
IN/MM	3:1				
GENERAL TOLERANCES (UNLESS SPECIFIED)			LOW PROFILE GANGED, RIGHT ANGLE MODULAR JACK ASSEMBLY		
4 PLACES	±	±	EC NO: 680890	PRODUCT CUSTOMER DRAWING	
3 PLACES	±	± 0.015	DRWN: SANTHN	2021/06/18	DOCUMENT NUMBER
2 PLACES	±	0.38	CHK'D: GGA	2021/11/25	DOC TYPE
1 PLACE	±	±	APPR: GGA	2021/11/25	DOC PART
0 PLACES	±	±	INITIAL REVISION:	1993/10/18	REVISION
ANGULAR TOL	±	0.5°	DRWN: JTR	1993/10/18	SDA-43223
DRAFT WHERE APPLICABLE MUST REMAIN WITHIN DIMENSIONS	THIRD ANGLE PROJECTION	DRAWING	APPR: RAS	SERIES	PSD 001 L
		C-SIZE		43223	MATERIAL NUMBER
					CUSTOMER
					GENERAL MARKET
					SHEET NUMBER
					1 OF 6

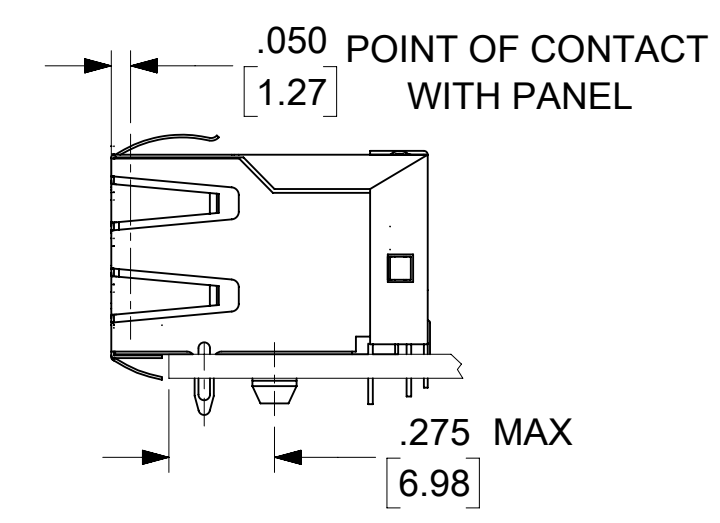


PEG DETAIL
SEE SHEET 1



SUGGESTED PANEL OPENING

SCALE : 2/1



**4 PORT 8 LOADED
8 JACK SHOWN**

- NOTES:
- MATERIAL:**
HOUSING: GLASS FILLED NYLON, UL94V-0, COLOR: BLACK
INSULATOR: GLASS FILLED NYLON, UL94V-0, COLOR: BLACK
TERMINALS: PHOSPHOR BRONZE: .012/ 0.30 THICK
SHIELD: BRASS, FRONT .007/ 0.18 THICK, REAR .010/ 0.25 THICK
 - FINISH:**
TERMINALS:
SELECT GOLD IN CONTACT AREA: 50 MICRONS/ 1.27 MICROMETERS MIN.,
*SELECT TIN IN PC TAIL AREA: 100 MICRONS/ 2.54 MICROMETERS MIN.,
WITH OVERALL NICKEL UNDERPLATE: 50 MICRONS/ 1.27 MICROMETERS MIN.
SHIELD:
*100 MICRONS/ 2.54 MICROMETERS NICKEL OVER 50 MICRONS/ 1.27 MICROMETERS COPPER UNDERPLATE. PCB GROUND TABS DIPPED IN TIN
*THE PRIMARY SHIPPING CARTON WILL BE LABELED "COMPLIANT TO RoHS DIRECTIVE 2002/95/EC AND ELV ANNEX II OF DIRECTIVE 2000/53/EC".
CARTONS WITHOUT THIS LABEL MAY CONTAIN PRODUCT WITH TIN-LEAD IN THE PC TAIL AND/OR SHIELD.

- PRODUCT SPECIFICATION AND PROCESSING PARAMETERS:** PS-43223-001.
- PACKAGING SPECIFICATION:**
SHIELDED CONNECTOR ASSEMBLIES PACKAGED IN TRAYS PER MOLEX PACKAGING SPECIFICATION PK-44150-004.
- SEE SHEETS 4-6 FOR P.C. BOARD LAYOUTS.
- REAR SHIELD IS AVAILABLE WITH (1) CENTERED GROUND TAB ON 4 & 8 PORT VERSIONS.
- 8 CIRCUIT JACKS CENTERLINE TO CENTERLINE SPACING IS .550/ 13.97.
- ALL UNTOLERANCED DIMENSIONS ARE SHOWN FOR REFERENCE ONLY.
- THIS PART CONFORMS TO CLASS B REQUIREMENTS OF COSMETIC SPECIFICATION PS-45499-002.

HOUSING SIZE	CIRCUIT SIZE	NO. OF PORTS	DIM. A	DIM. C	DIM. D	DIM. E
8	8	2	1.224 (31.09)	.350 (8.89)	1.000 (25.40)	1.255 (31.88)
8	8	4	2.324 (59.03)	.350 (8.89)	2.100 (53.34)	2.355 (59.82)
8	8	6	3.424 (86.97)	.350 (8.89)	3.200 (81.28)	3.455 (87.76)
8	8	8	4.524 (114.91)	.350 (8.89)	4.300 (109.22)	4.555 (115.97)
8	2	8	4.524 (114.91)	.050 (1.27)	4.300 (109.22)	4.555 (115.97)

THIS DRAWING CONTAINS INFORMATION THAT IS PROPRIETARY TO MOLEX ELECTRONIC TECHNOLOGIES, LLC AND SHOULD NOT BE USED WITHOUT WRITTEN PERMISSION

DIMENSION UNITS IN/MM	SCALE 4:1	CURRENT REV DESC: REMOVED OBSOLETE PART NUMBER AS PER PCN#509457.	molex		
GENERAL TOLERANCES (UNLESS SPECIFIED)		EC NO: 680890			
4 PLACES ±	±	DRWN: SANTHN	PRODUCT CUSTOMER DRAWING		
3 PLACES ±	± 0.015	CHK'D: GGA	DOCUMENT NUMBER	DOC TYPE	DOC PART
2 PLACES ±	0.38 ±	APPR: GGA	SDA-43223	PSD	001
1 PLACE ±	±	INITIAL REVISION:	SHEET NUMBER	2 OF 6	
0 PLACES ±	±	DRWN: JTR	MATERIAL NUMBER	CUSTOMER	
ANGULAR TOL ± 0.5 °		APPR: RAS	SEE SHT 3	GENERAL MARKET	
DRAFT WHERE APPLICABLE MUST REMAIN WITHIN DIMENSIONS	THIRD ANGLE PROJECTION	DRAWING	3		
		SERIES	43223		

FLANGELESS (SHIELDED)

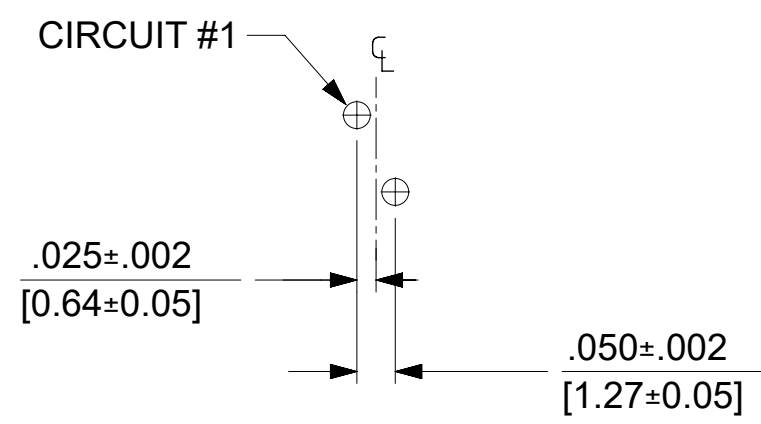
ASSEMBLY NUMBER	DIMENSION "B"	CONNECTOR SIZE	NUMBER OF CIRCUITS	NUMBER OF PORTS	NUMBER OF REAR SHIELD GROUND TABS	PACKAGING STYLE	PACKAGING SPECIFICATION
43223-8128	.180	8	8	2	1	TRAY	PK-44150-004
43223-8146	.180	8	8	4	3	↑	↑
43223-8164	.180	8	8	6	5	↑	↑
43223-8182	.180	8	8	8	7	↓	↓
43223-8185	.180	8	8	8	1	↓	↓
43223-8194	.180	8	2	8	7	TRAY	PK-44150-004
43223-8307	.145	8	2	8	7	TRAY	PK-44150-004

FLANGELESS (UNSHIELDED)

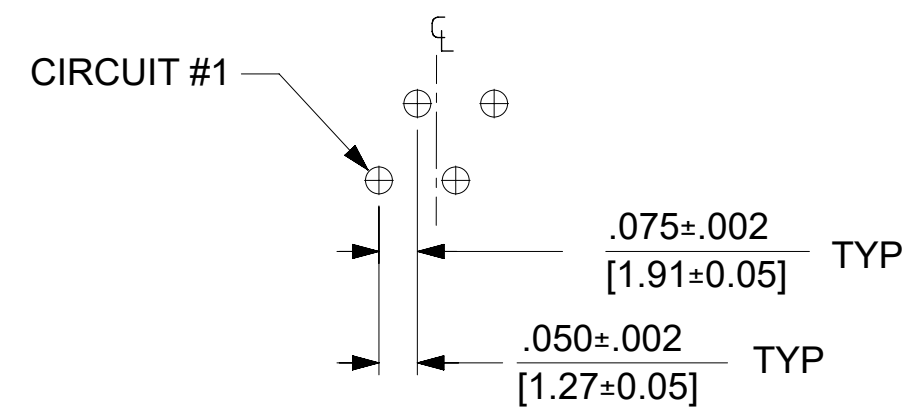
ASSEMBLY NUMBER	CONNECTOR SIZE	NUMBER OF CIRCUITS	NUMBER OF PORTS	PACKAGING STYLE	PACKAGING SPECIFICATION
43223-6101	6	6	2	TRAY	PK-43249-004
43223-6107	6	6	4	↑	↑
43223-6113	6	6	6	↑	↑
43223-6122	6	4	2		
43223-6128	6	4	4		
43223-6140	6	4	8		
43223-6155	6	2	6	↓	↓
43223-6158	6	2	8	TRAY	PK-43249-004
43223-8122	8	8	2	TRAY	PK-43249-004
43223-8140	8	8	4	↑	↑
43223-8158	8	8	6	↓	↓
43223-8176	8	8	8	TRAY	PK-43249-004

SNAP FIT PEG VERSIONS

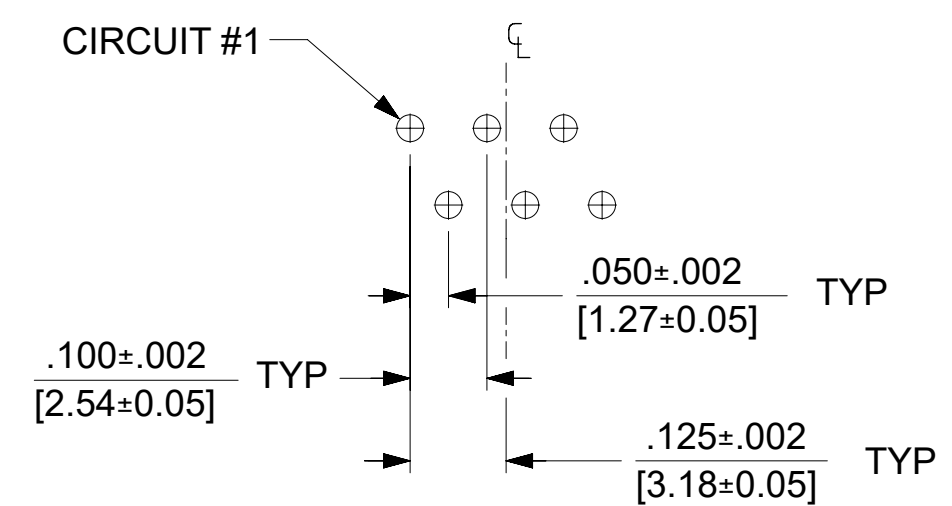
THIS DRAWING CONTAINS INFORMATION THAT IS PROPRIETARY TO MOLEX ELECTRONIC TECHNOLOGIES, LLC AND SHOULD NOT BE USED WITHOUT WRITTEN PERMISSION									
DIMENSION UNITS		SCALE		CURRENT REV DESC: REMOVED OBSOLETE PART NUMBER AS PER PCN#509457.				molex	
IN/MM		2:1							
GENERAL TOLERANCES (UNLESS SPECIFIED)				EC NO: 680890				PRODUCT CUSTOMER DRAWING	
				DRWN: SANTHN 2021/06/18					
4 PLACES		±		CHK'D: GGA 2021/11/25				DOCUMENT NUMBER	
3 PLACES		± 0.015		APPR: GGA 2021/11/25					
2 PLACES		± 0.38		INITIAL REVISION:				SDA-43223	
1 PLACE		±		DRWN: JTR 1993/10/18					
0 PLACES		±		APPR: RAS 1993/10/18				DOC TYPE	
ANGULAR TOL		± 0.5 °		THIRD ANGLE PROJECTION				DOC PART	
DRAFT WHERE APPLICABLE MUST REMAIN WITHIN DIMENSIONS				DRAWING		SERIES		REVISION	
				C-SIZE		43223		L	
MATERIAL NUMBER				CUSTOMER				SHEET NUMBER	
SEE SHT 3				GENERAL MARKET				3 OF 6	



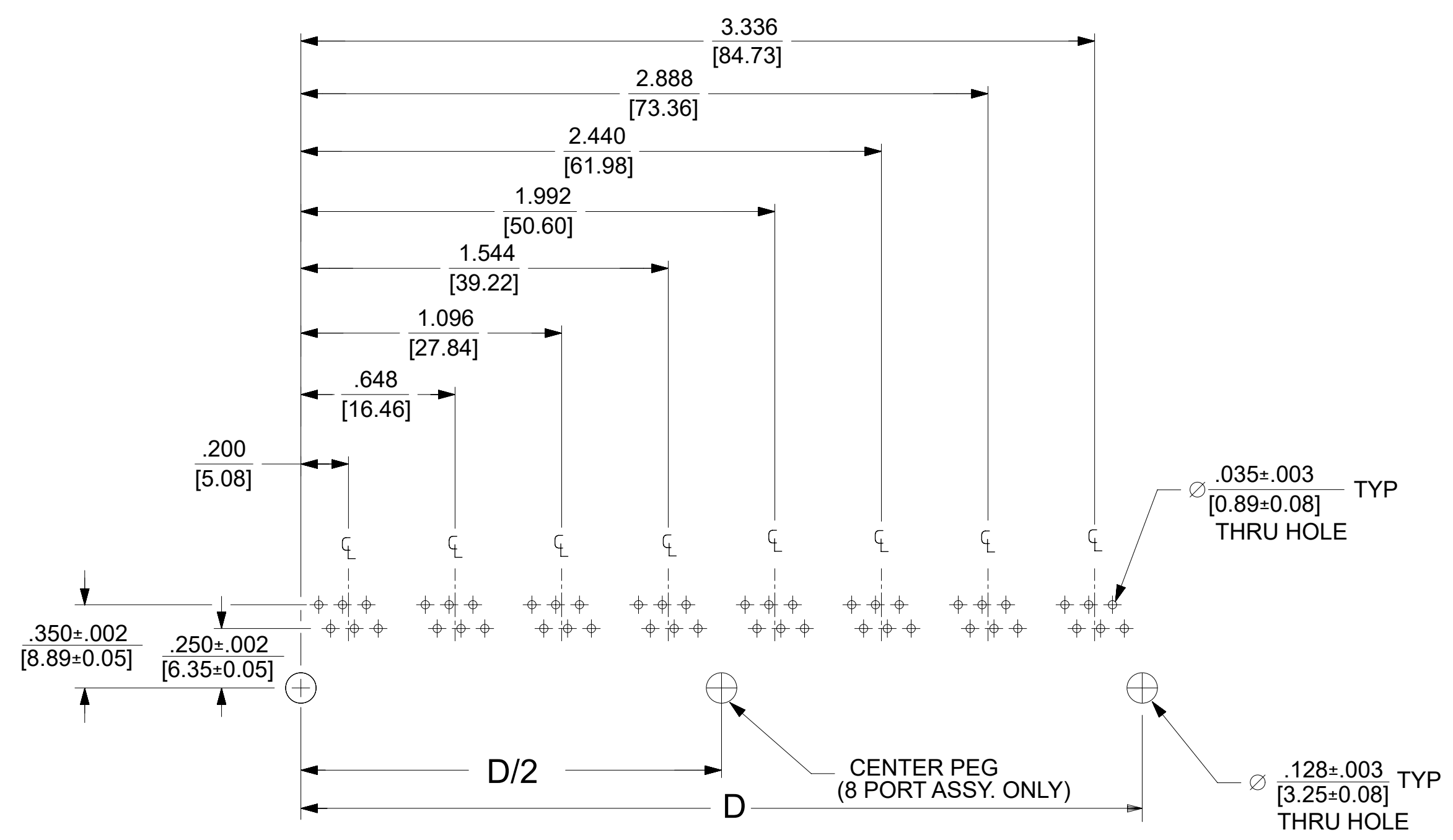
6 LOADED 2 DETAIL
SCALE: 4/1



6 LOADED 4 DETAIL
SCALE: 4/1



6 LOADED 6 DETAIL
SCALE: 4/1



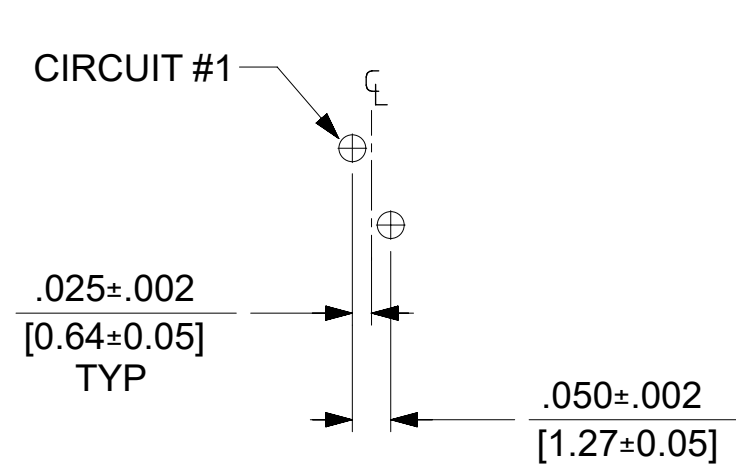
SUGGESTED P.C. BOARD LAYOUT
COMPONENT SIDE OF BOARD
8 PORT, 6 LOADED 6, LAYOUT SHOWN
(SNAP-FIT VERSIONS)

NOTES:
1. RECOMMENDED PCB THICKNESS: .062±.005/(1.57±0.13)

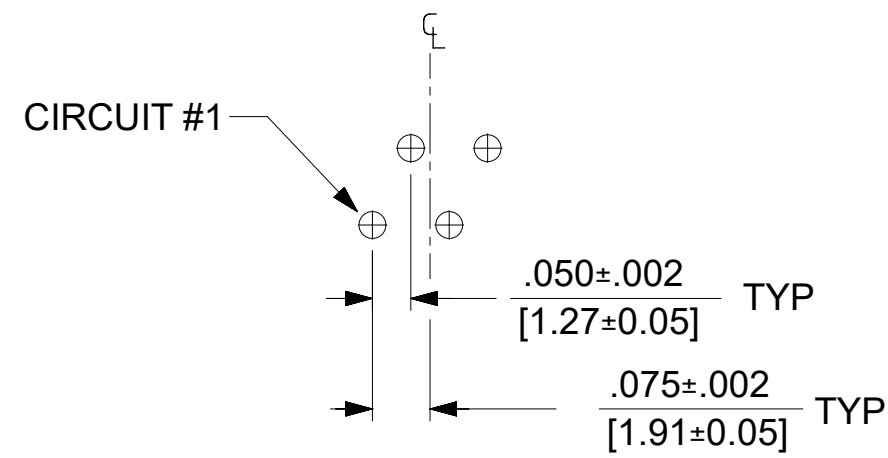
NUMBER OF PORTS	DIM. D
2	.848 (21.54)
3	1.296 (32.92)
4	1.744 (44.30)
5	2.192 (55.68)
6	2.640 (67.06)
8	3.536 (89.81)

THIS DRAWING CONTAINS INFORMATION THAT IS PROPRIETARY TO MOLEX ELECTRONIC TECHNOLOGIES, LLC AND SHOULD NOT BE USED WITHOUT WRITTEN PERMISSION

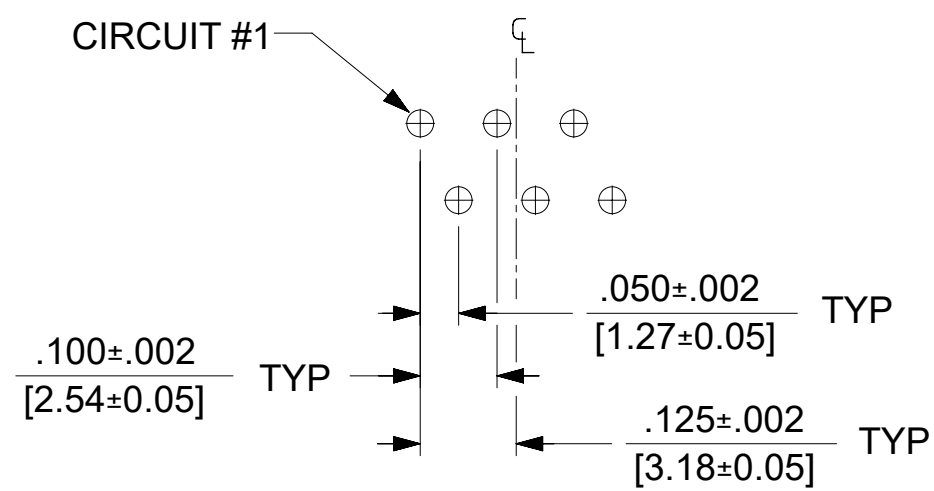
DIMENSION UNITS	SCALE	CURRENT REV DESC: REMOVED OBSOLETE PART NUMBER AS PER PCN#509457.	molex		
IN/MM	2:1				
GENERAL TOLERANCES (UNLESS SPECIFIED)			LOW PROFILE GANGED, RIGHT ANGLE MODULAR JACK ASSEMBLY		
4 PLACES	±	±	EC NO: 680890	PRODUCT CUSTOMER DRAWING	
3 PLACES	±	± 0.015	DRWN: SANTHN 2021/06/18	DOCUMENT NUMBER	
2 PLACES	±	0.38	CHK'D: GGA 2021/11/25	SDA-43223	
1 PLACE	±	±	APPR: GGA 2021/11/25	PSD 001 L	
0 PLACES	±	±	INITIAL REVISION:	DOC TYPE	
ANGULAR TOL	±	0.5 °	DRWN: JTR 1993/10/18	DOC PART	
DRAFT WHERE APPLICABLE MUST REMAIN WITHIN DIMENSIONS	THIRD ANGLE PROJECTION		APPR: RAS 1993/10/18	REVISION	
	DRAWING	SERIES	C-SIZE	43223	
	MATERIAL NUMBER	CUSTOMER	SHEET NUMBER		
	SEE SHT 3	GENERAL MARKET	4 OF 6		



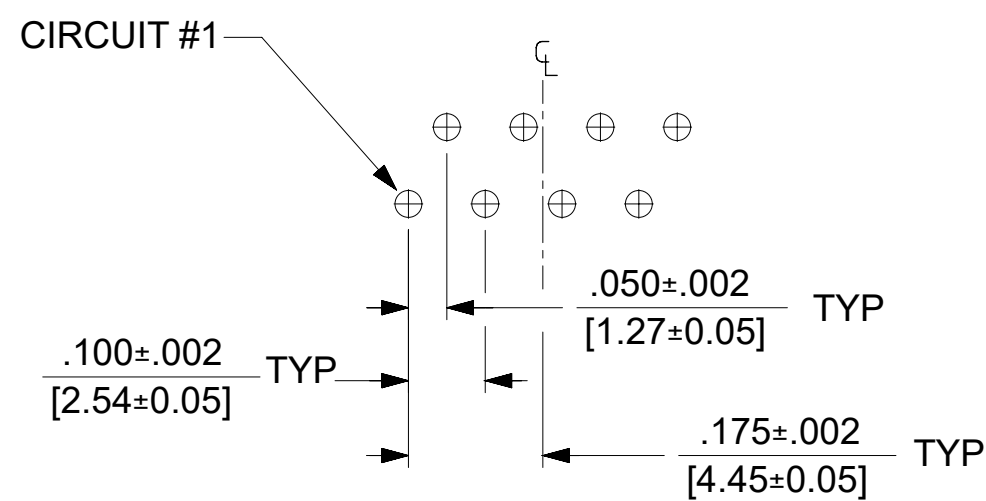
8 LOADED 2 DETAIL
SCALE: 4/1



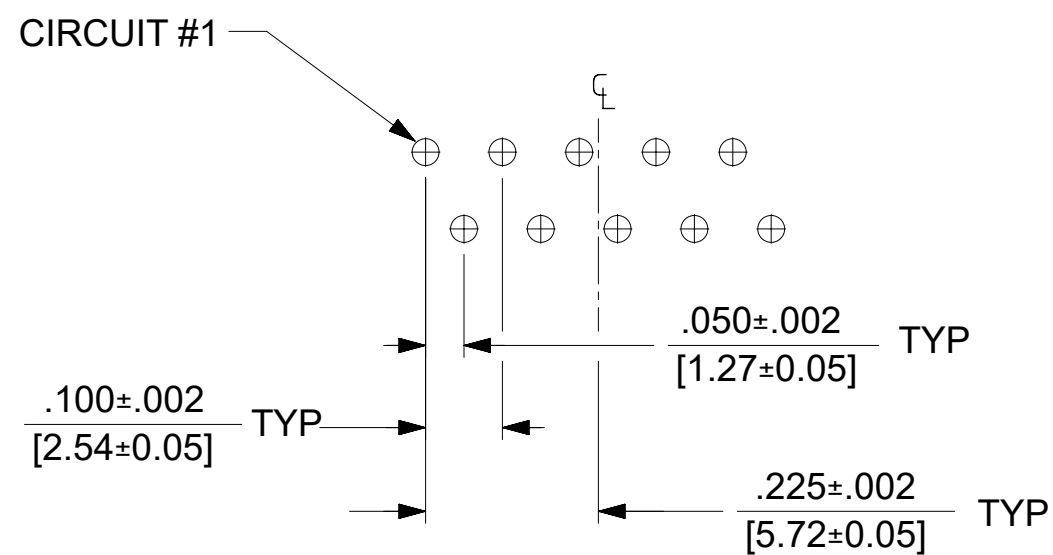
8 LOADED 4 DETAIL
SCALE: 4/1



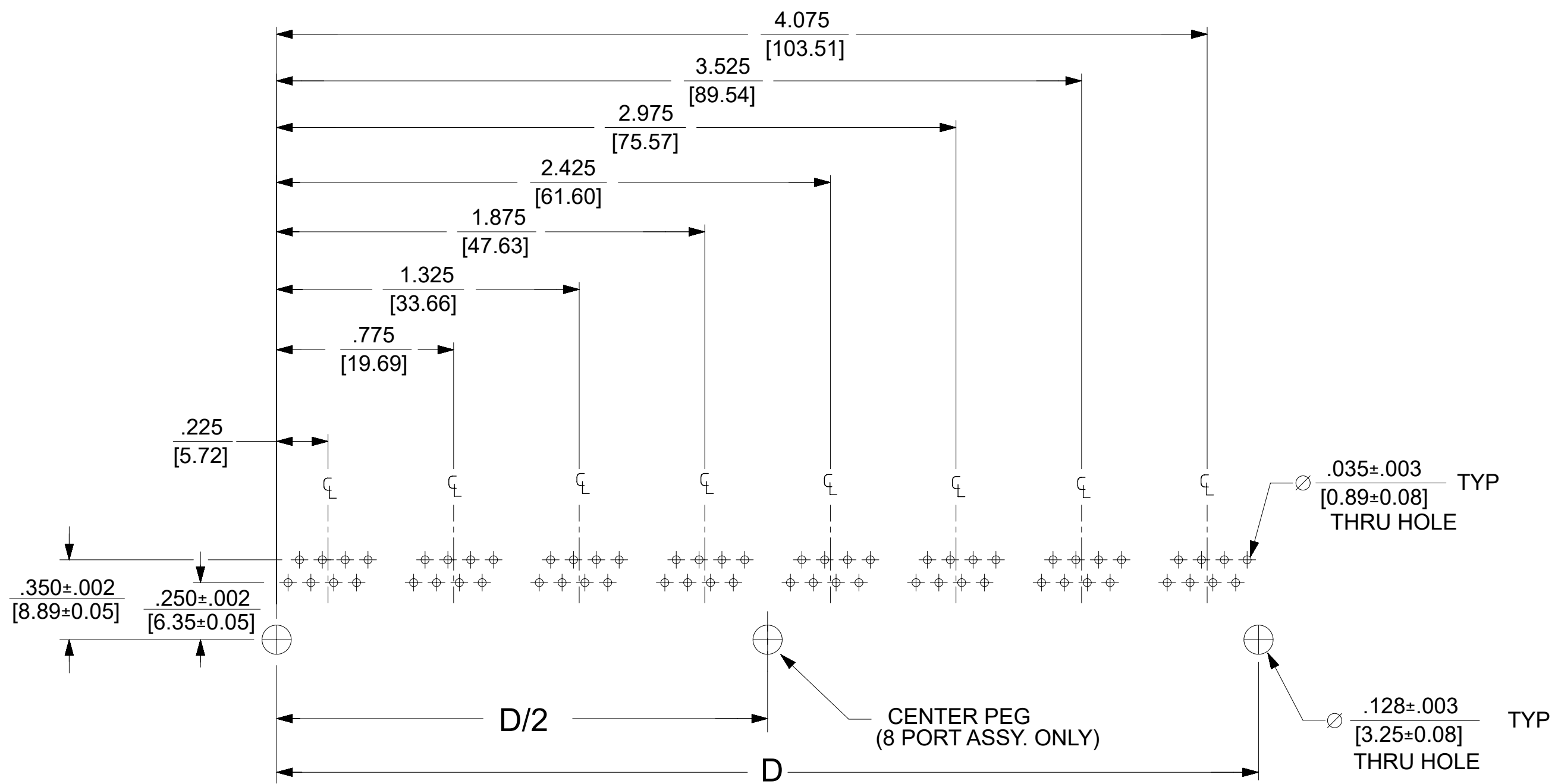
8 LOADED 6 DETAIL
SCALE: 4/1



8 LOADED 8 DETAIL
SCALE: 4/1



8 LOADED 10 DETAIL
SCALE: 4/1

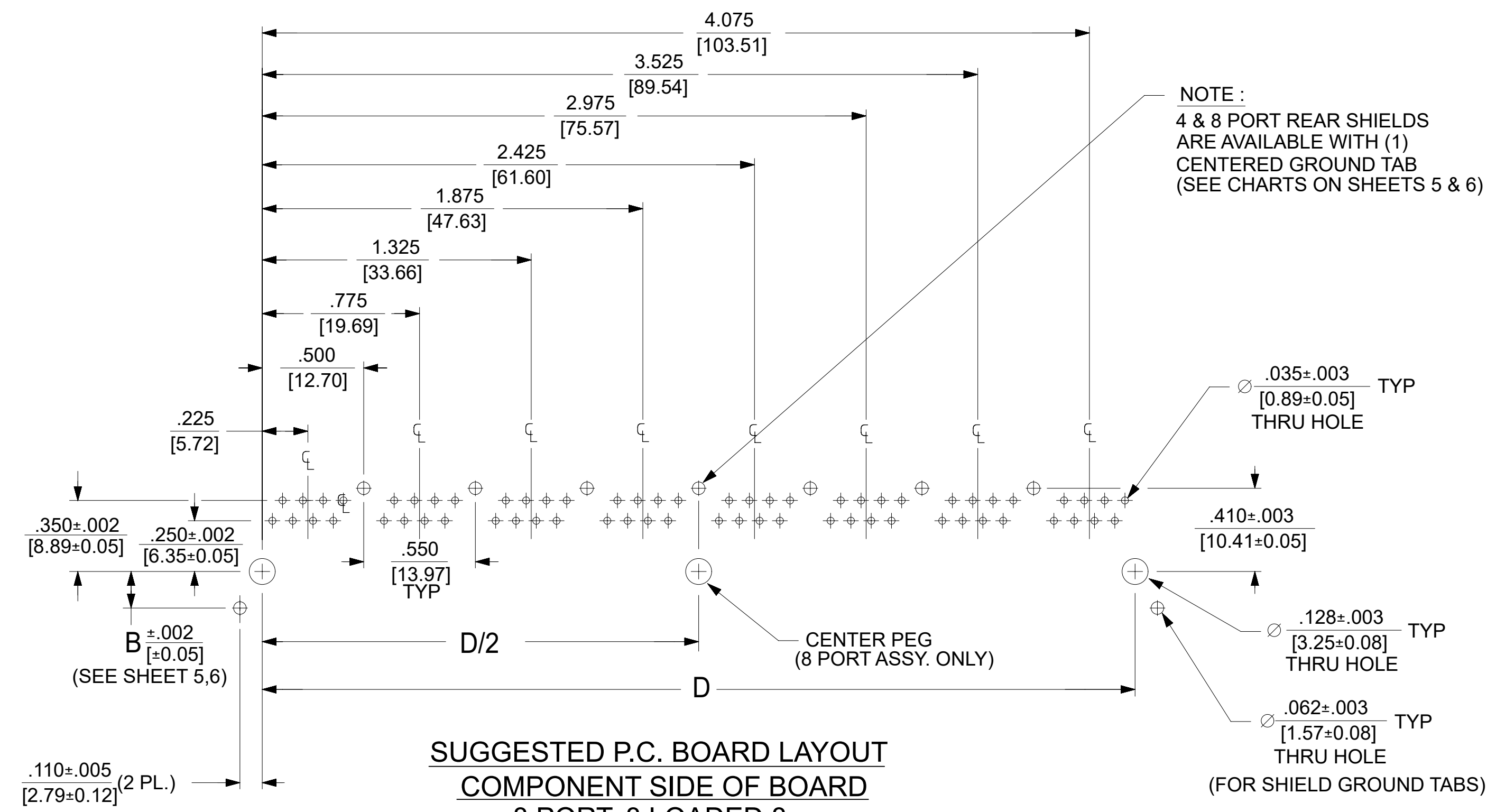
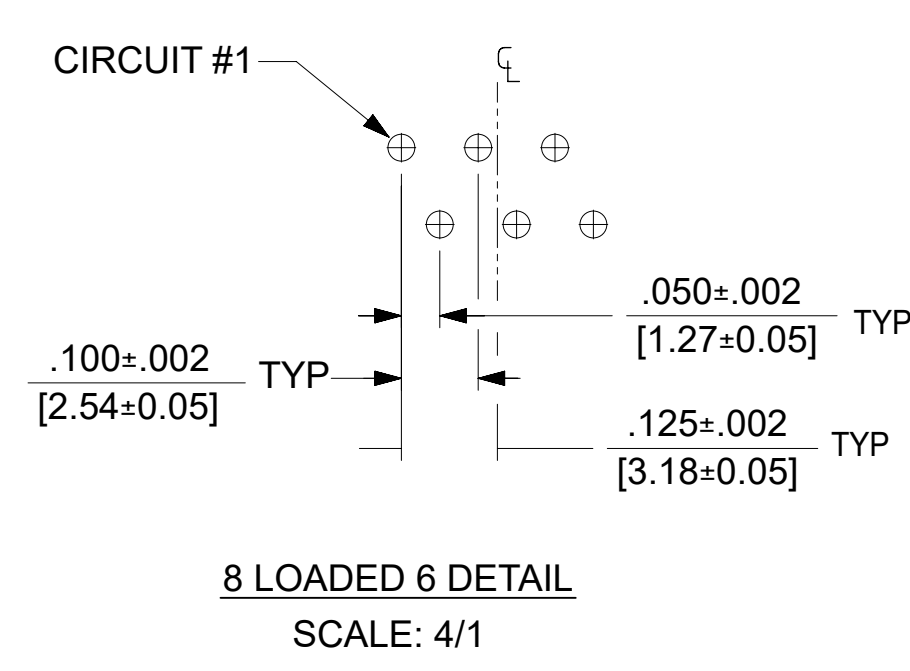
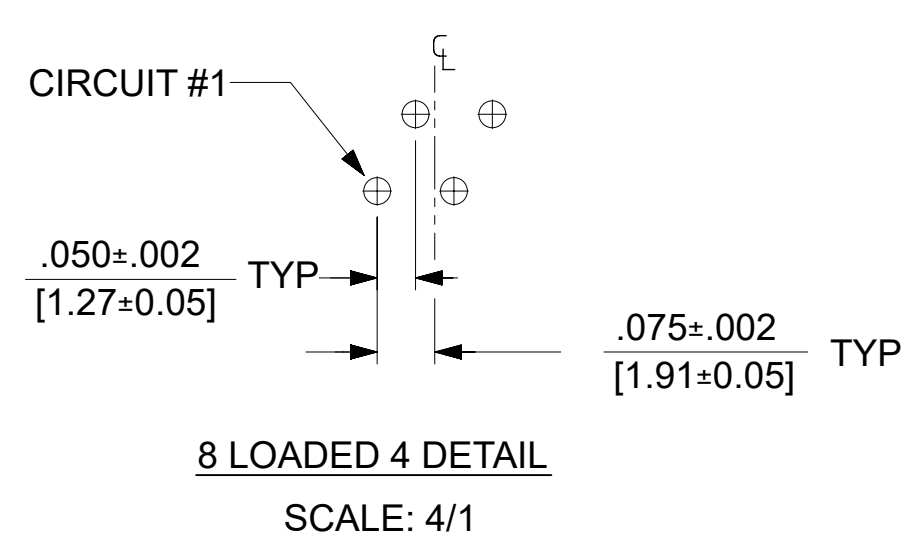
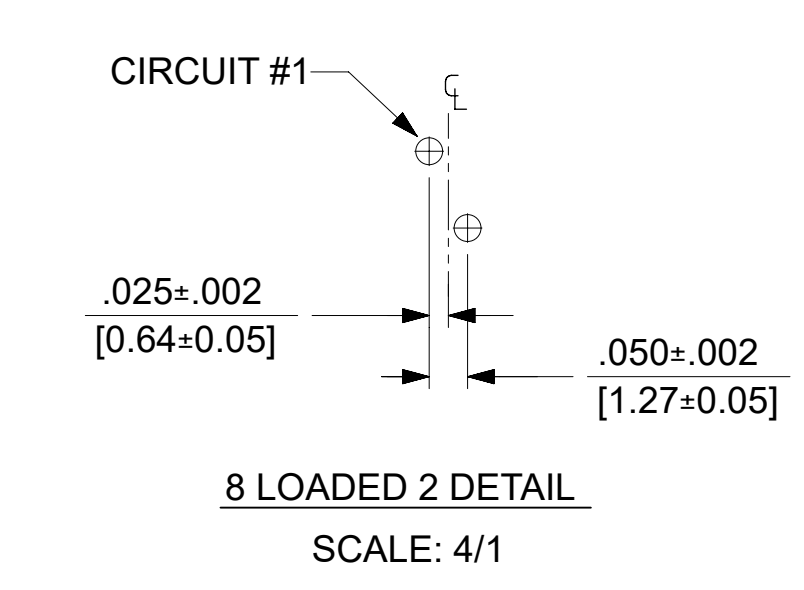


**SUGGESTED P.C. BOARD LAYOUT
COMPONENT SIDE OF BOARD
8 PORT, 8 LOADED 8
(SNAP-FIT VERSIONS)**

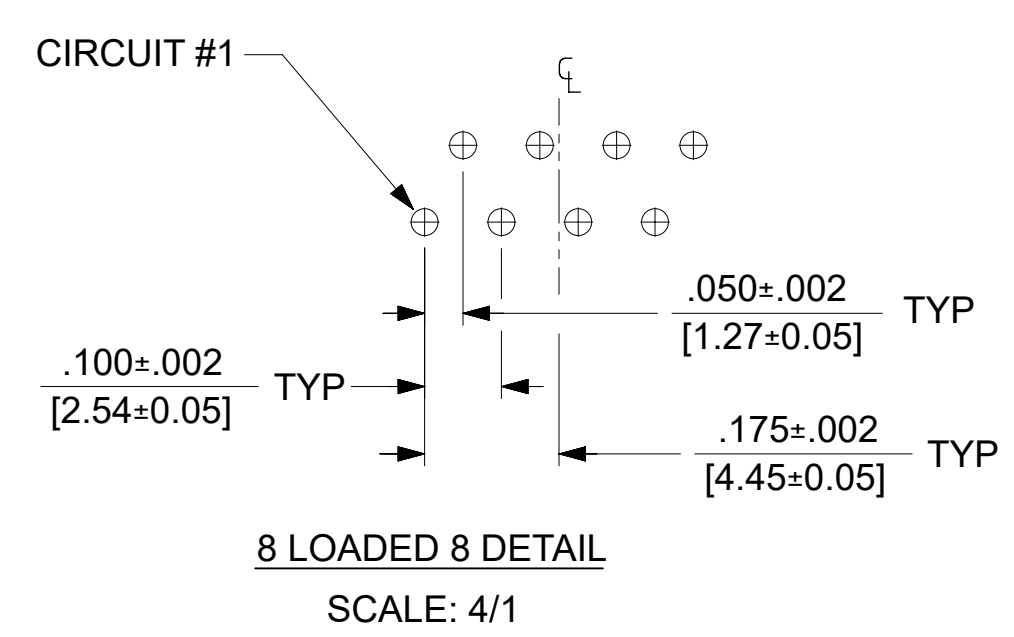
NOTES:
1. RECOMMENDED PCB THICKNESS: .062±.005/(1.57±0.13)

NUMBER OF PORTS	DIM. D
2	1.000 (25.40)
3	1.550 (39.37)
4	2.100 (53.34)
5	2.650 (67.31)
6	3.200 (81.28)
8	4.300 (109.32)

THIS DRAWING CONTAINS INFORMATION THAT IS PROPRIETARY TO MOLEX ELECTRONIC TECHNOLOGIES, LLC AND SHOULD NOT BE USED WITHOUT WRITTEN PERMISSION									
DIMENSION UNITS		SCALE		CURRENT REV DESC: REMOVED OBSOLETE PART NUMBER AS PER PCN#509457.					
IN/MM		2:1		EC NO: 680890 DRWN: SANTHN 2021/06/18 CHK'D: GGA 2021/11/25 APPR: GGA 2021/11/25 INITIAL REVISION: DRWN: JTR 1993/10/18 APPR: RAS 1993/10/18					
GENERAL TOLERANCES (UNLESS SPECIFIED)									
		MM	INCH						
4 PLACES	±	±	±						
3 PLACES	±	±	0.015						
2 PLACES	±	0.38	±						
1 PLACE	±	±	±						
0 PLACES	±	±	±						
ANGULAR TOL		± 0.5 °		THIRD ANGLE PROJECTION		DRAWING		SERIES	
DRAFT WHERE APPLICABLE MUST REMAIN WITHIN DIMENSIONS				C-SIZE		43223		MATERIAL NUMBER	
				SEE SHT 3		CUSTOMER		SHEET NUMBER	
				GENERAL MARKET		PSD 001		5 OF 6	



NOTE :
4 & 8 PORT REAR SHIELDS
ARE AVAILABLE WITH (1)
CENTERED GROUND TAB
(SEE CHARTS ON SHEETS 5 & 6)



NOTES:
1. RECOMMENDED PCB THICKNESS: .062±.005/(1.57±0.13)

NUMBER OF PORTS	DIM. D
2	1.000 (25.40)
4	2.100 (53.34)
6	3.200 (81.28)
8	4.300 (109.32)

THIS DRAWING CONTAINS INFORMATION THAT IS PROPRIETARY TO MOLEX ELECTRONIC TECHNOLOGIES, LLC AND SHOULD NOT BE USED WITHOUT WRITTEN PERMISSION									
DIMENSION UNITS IN/MM		SCALE 2:1		CURRENT REV DESC: REMOVED OBSOLETE PART NUMBER AS PER PCN#509457.					
GENERAL TOLERANCES (UNLESS SPECIFIED)				MM		INCH		EC NO: 680890	
4 PLACES		±		±		DRWN: SANTHN		2021/06/18	
3 PLACES		±		±		CHK'D: GGA		2021/11/25	
2 PLACES		±		0.38		APPR: GGA		2021/11/25	
1 PLACE		±		±		INITIAL REVISION:			
0 PLACES		±		±		DRWN: JTR		1993/10/18	
ANGULAR TOL		±		0.5 °		APPR: RAS		1993/10/18	
DRAFT WHERE APPLICABLE MUST REMAIN WITHIN DIMENSIONS				THIRD ANGLE PROJECTION		DRAWING		SERIES	
				C-SIZE		43223		MATERIAL NUMBER	
						SEE SHT 3		CUSTOMER	
						GENERAL MARKET		SHEET NUMBER	
						6 OF 6			

molex

LOW PROFILE GANGED,
RIGHT ANGLE MODULAR JACK ASSEMBLY

PRODUCT CUSTOMER DRAWING

DOCUMENT NUMBER: **SDA-43223** | DOC TYPE: PSD | DOC PART: 001 | REVISION: L