

Type LPK-01 In-Line Fuse Holder Automotive Blade Type 3 Terminal (Micro, 3-Leg)



www.optifuse.com

(619) 593-5050

Specifications:

Rating: 20A Max. 58 VDC

Body Material: Nylon with Glass Fiber, Black

Protective Cover: Polypropylene

Contacts: Brass, Junior Power Timer

IP Rating: IP 63 or IP 67

For use with Type ANK Fuse Series

(3 Terminal – Micro, 3 leg - Automotive Blade)

Standard Wire: UL1015, Red Color

Center: 5 inches, Sides: 6 inches

Bracket attached to gang multiple fuse holders together

Part Number	Wire Size (AWG)	
	Side	Center
LPK-01B-14R (-W)	#14	#12
LPK-01B-16R (-W)	#16	#14

Part number format

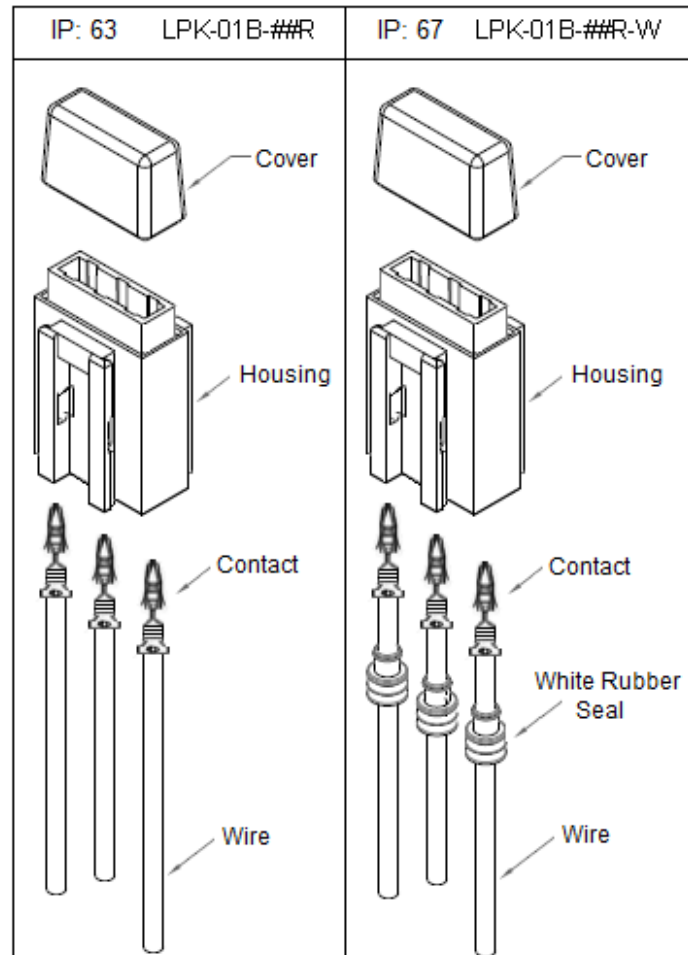
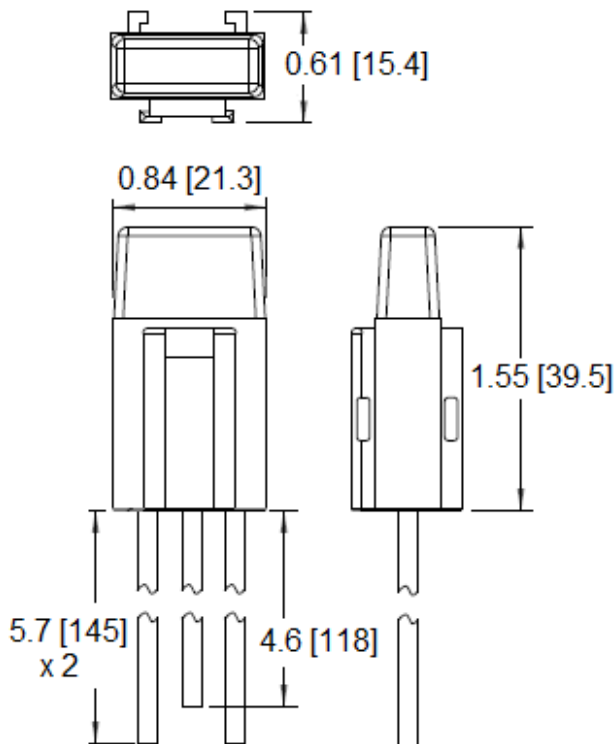
LPK-01B-##R (-W)

Where

= Side Wire Gauge

-W = IP Rating 67 (Else IP Rating is 63)

Mechanical Dimensions: Inches [mm]



Warning:



-Operation beyond the specified maximum ratings or improper use may result in damage and possible electrical arcing and/or flame.

-Device is intended for occasional overcurrent protection. Application for repeated overcurrent condition and/or prolonged trip are not anticipated.

-Avoid contact of device with chemical solvent. Prolonged contact will damage the device performance.

Note: All specifications and dimensions subject to change without notice.

Rev A 07/2018 - Page: 1/1
Code G02-01H