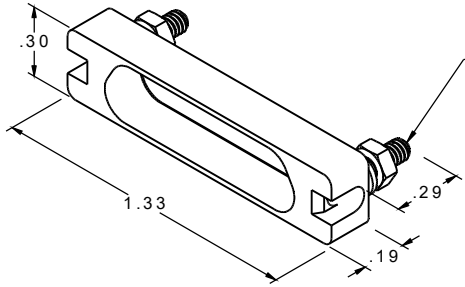
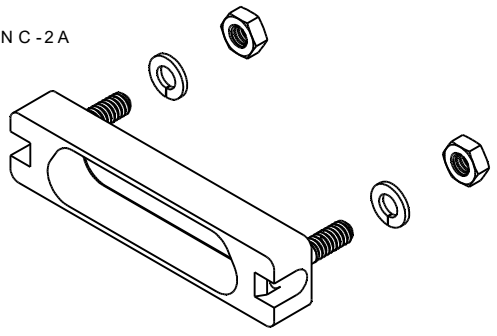


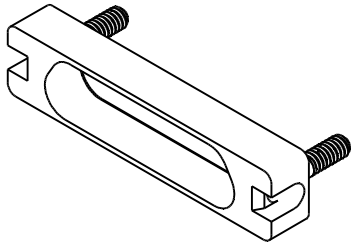
PART NO.	A99018-031	REV	ECO	DATE	APP
		A	97774	07-15-11	TLM



#2-56 UNC-2A



KIT CONSISTS OF:



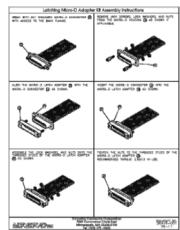
1 EA MICRO-D LATCH RECEPTACLE (D6097-031)



2 EA LOCKING WASHER (D5377-001)



2 EA #2-56 NUT (D5376-001)



1 EA INSTRUCTION SHEET (D6476-001)

SLDW

THIRD ANGLE
-TOLERANCES-
UNLESS OTHERWISE NOTED:
DIMENSIONS IN INCHES
2 PL DEC ± .01
3 PL DEC ± .005
4 PL DEC ± .0005
ANGLES ± 1°

THIS DRAWING CONTAINS CONFIDENTIAL AND PROPRIETARY INFORMATION WHICH IS THE PROPERTY OF OMNETICS CONNECTOR CORP. THIS DOCUMENT MAY NOT IN WHOLE OR IN PART, BE DUPLICATED, OR DISCLOSED FOR ANY PURPOSE, WITHOUT WRITTEN PERMISSION FROM OMNETICS CONNECTOR CORP.	
DFTM. DGJ	DATE 06-22-11
CHK'D.	DATE
APP'D.	DATE

TITLE:  
(31) LATCHING MICRO-D  
CONVERSION KIT  
HARDWARE

**OMNETICS**  
CONNECTOR CORPORATION  
7260 COMMERCE CIRCLE EAST  
MINNEAPOLIS, MN 55432  
WWW.OMNETICS.COM

CAGE CODE 61873
DWG NO. A99018-031
SHEET 1 OF 1
SCALE: 2:1
REV A