

Waterproof USB Connectors

M16-Panel mount connector Front mounting, Solder cup USB 2.0 Type A

Protection: IP 64 / IP 67
(Assembled with CAP)

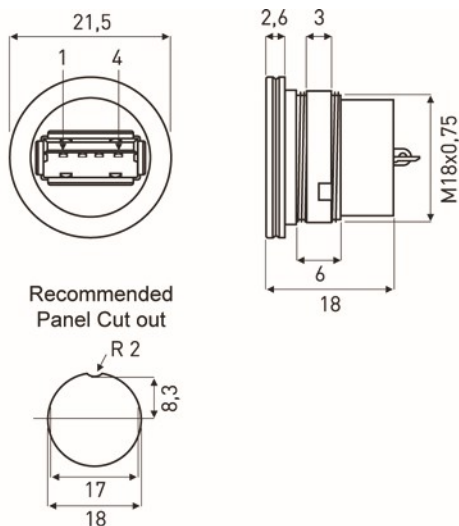
Contacts: 4 + 1 Shield connection

Terminal: Solder Cup

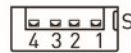
Housing material: Plastic, Black (PA)

Contact plating: Gold-plated

Kit: Including CAP + Circular nut

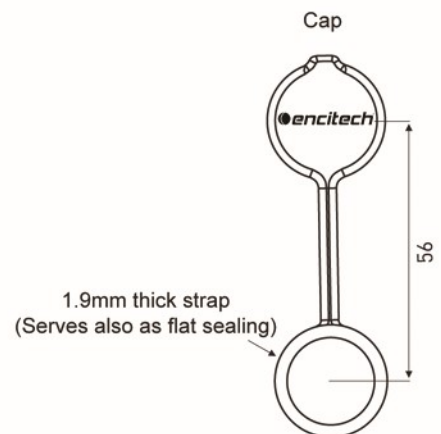


Solder Pins



Pin Assignment

- 1 - +5 V
- 2 - D-
- 3 - D+
- 4 - GND
- S - Shield



M16 Panel mount USB 2.0 - Type A

Connector:	Part No:
Panel Conn, Black	1310-1001-01

Accessories:	Part No:
Mounting Tool for Ring nut	1310-0099-01



Encitech AB
Rörkullsvägen 4
SE-302 41 HALMSTAD, Sweden

Tel: +46-(0)35-15 13 90
e-mail: connectors@encitech.com

www.encitech.com