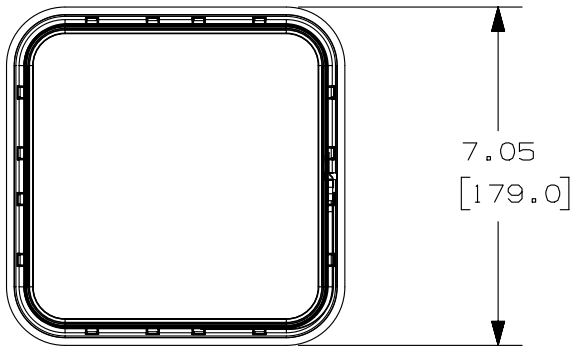


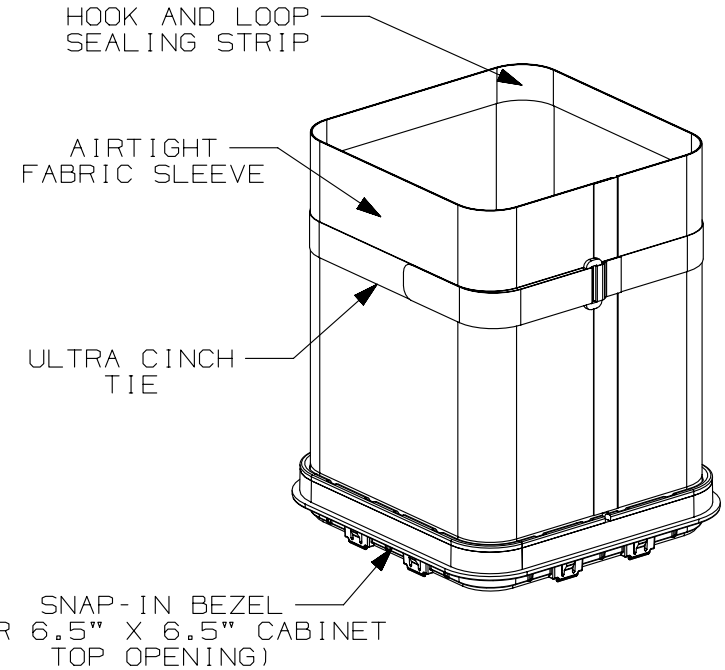
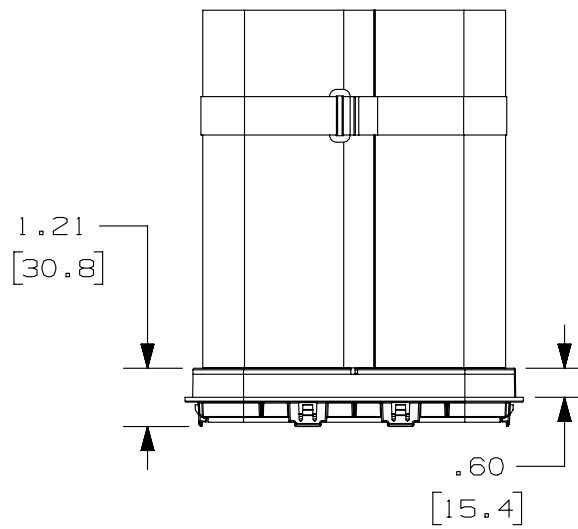
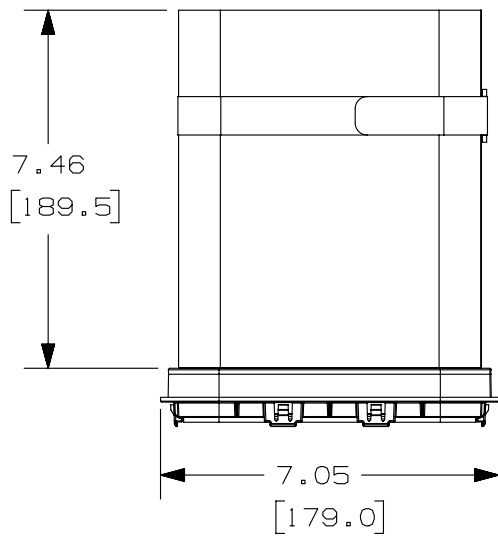
THIS COPY IS PROVIDED ON A RESTRICTED BASIS AND IS NOT TO BE USED IN ANY WAY DETRIMENTAL TO THE INTERESTS OF PANDUIT CORP.



NOTES:

1. FOR USE WITH NET-ACCESS CABINETS
2. USED TO SEAL OFF 6.5" X 6.5" CABINET TOP OPENINGS WHEN CABLES ARE ROUTED THROUGH THE TOP OF THE CABINET.+
3. FINISH COLOR: BLACK
4. DIMENSION IN PARENTHESES ARE IN METRIC

| PANDUIT PART NUMBER | WEIGHT |
|---------------------|----------------------------------|
| CTGN6X6 | .35 LBS/EACH 160.4 GRAMS/EACH |



| REV | DATE | BY | CHK | APR | DESCRIPTION | ECN |
|-----|----------|-----|-----|-----|------------------------|-------------|
| 1 | 03-12-13 | SSP | DWR | RN | RELEASED TO PRODUCTION | 12D308AA-DC |
| R | 08-21-12 | SSP | DWR | | DRAWING RELEASED | |

| | | |
|--|------------|-------------------------------------|
| TITLE 6.5" X 6.5" CABLE PROTECTION BEZEL AND COOL BOOT AIR SEALING FITTING (CTGN6X6) | | PANDUIT TM |
| CUSTOMER DRAWING | | |
| ITEM REVISION NAME 12D308AA/00 | | MATERIAL: SEE NOTES ABOVE |
| DATASET FILE NAME 12D308AA_DC/00B CTGN6X6 | | |
| UNLESS OTHERWISE SPECIFIED, DIMENSIONAL TOLERANCES ARE: IN (mm) .X ± .XXX ± .XX ± .03 [.8] ANGLES ± | | |
| DRAWN BY SSP | | DRAWING NUMBER: 12D308AA-DC |
| DATE 08-21-12 | CHK DWR | SCALE NONE |
| SHT 1 OF 1 | | SIZE A |

D10100DA/12

2

1

2

1