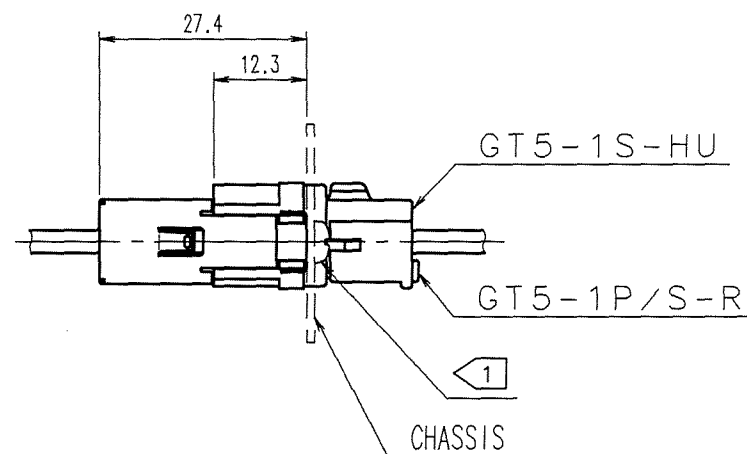
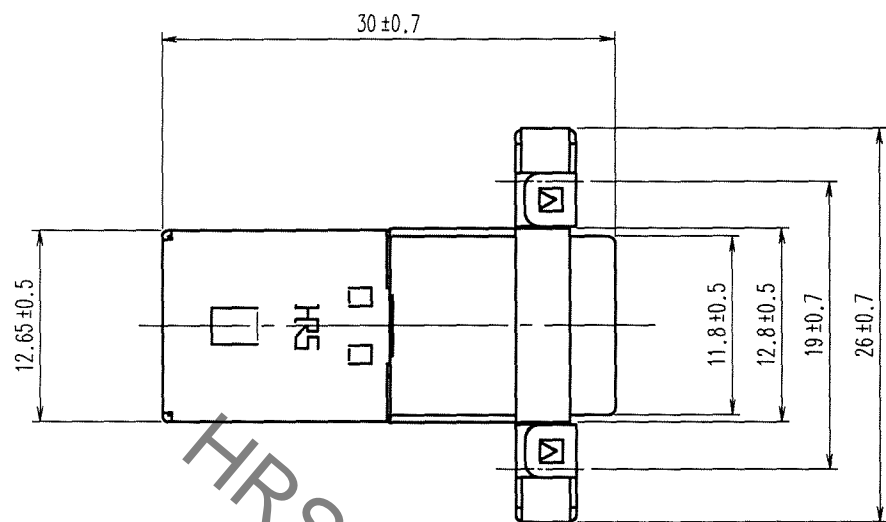
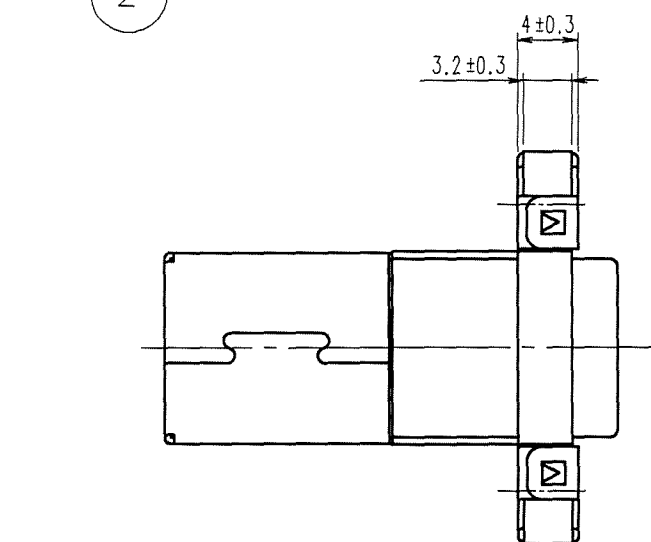
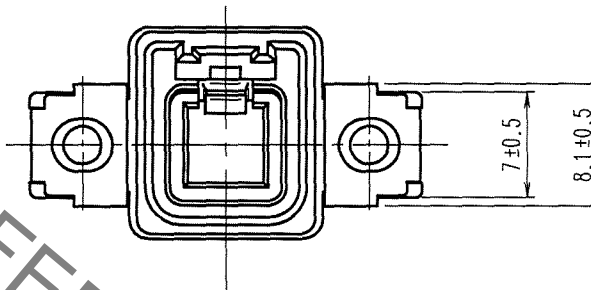
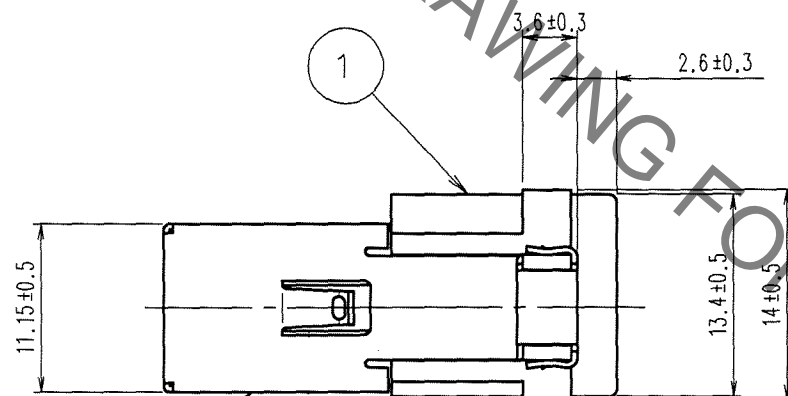
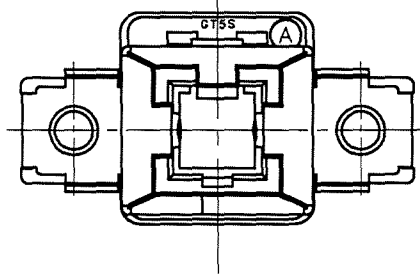


May.1.2023 Copyright 2023 HIROSE ELECTRIC CO., LTD. All Rights Reserved.  
In case of consideration for using Automotive equipment / device which demand high reliability, kindly contact our sales window correspondents.

ELV. RoHS COMPLIANT



MATED CONNECTORS ( 1 : 1 )



HRS DRAWING FOR REFERENCE

COUNT	DESCRIPTION OF REVISIONS	BY	CHKD	DATE	COUNT	DESCRIPTION OF REVISIONS	BY	CHKD	DATE
△					△				
△					△				
△					△				

1	PBT	LIGHT GRAY	2	PHOSPHOR BRONZE	TIN PLATED
NO.	MATERIAL	FINISH, REMARKS	NO.	MATERIAL	FINISH, REMARKS
CODE NO. (OLD)			DRAWN	DESIGNED	CHECKED
			T.KUBOTA	M.OKADA	K. Sato
			'06. 6. 15	'96. 12. 9	'06. 6. 16
			APPROVED	RELEASED	
			K. Sato	K. Sato	
			'06. 6. 16	'06. 6. 16	
DRAWING NO.			PART NO.		
EDC3-165373-02			GT5S-1PP-HU(70)		
SCALE			CODE NO.		
2 : 1			CL755-0050-4-70		
UNITS			1/1		
mm			HRS HIROSE ELECTRIC CO., LTD		

NOTE1. FIXING SCREW SHALL BE IN ACCORDANCE WITH ISO 1481 AND 7049. NOMINAL DIAMETER 3.

TO  
AMC