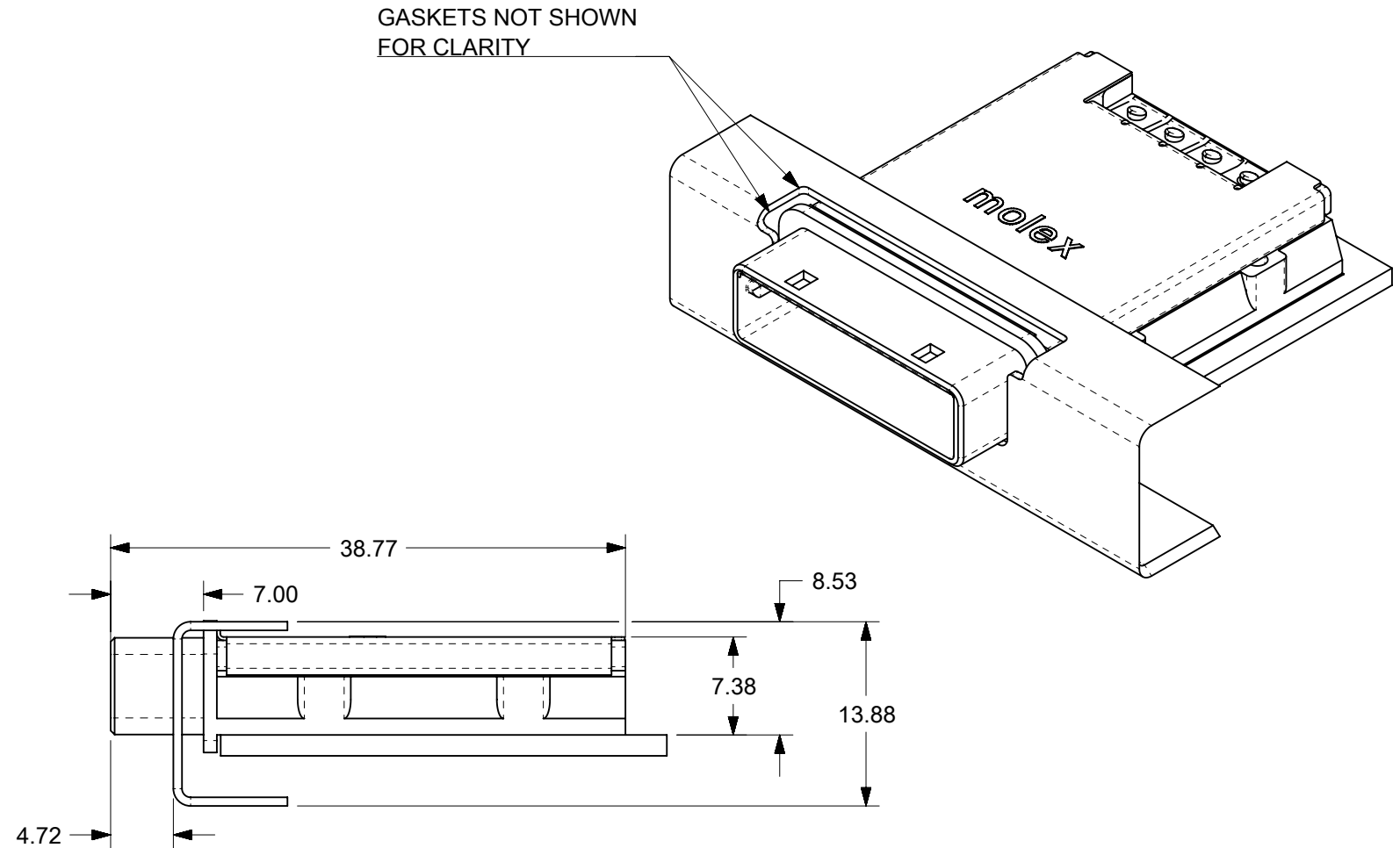
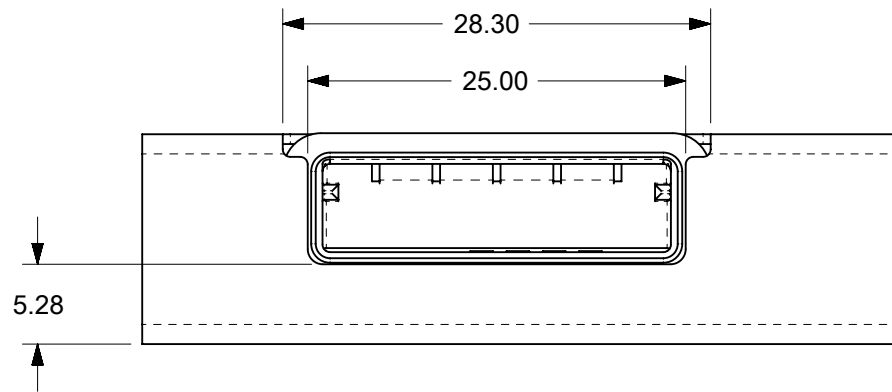


- NOTES:
- REF. PCI EXPRESS CARD ELECTROMECHANICAL SPECIFICATION, REV 1.0a FOR IO BRACKET WINDOW LOCATION.
 - PCB AND IO BRACKET SHOWN FOR REFERENCE ONLY.
 - REFER TO SHEET 2 FOR ATCA GUIDE HOUSING ASSEMBLY.
 - GUIDE HOUSING MOUNTING THREAD= M2.5 X 0.45.
 - NO RoHS EXEMPTIONS

iPass™ is a trademark of Molex.

THIS DRAWING CONTAINS INFORMATION THAT IS PROPRIETARY TO MOLEX ELECTRONIC TECHNOLOGIES, LLC AND SHOULD NOT BE USED WITHOUT WRITTEN PERMISSION											
DIMENSION UNITS		SCALE		CURRENT REV DESC:						molex	
MM		2:1									
GENERAL TOLERANCES (UNLESS SPECIFIED)				EC NO: 620216		DRWN: AKUMAR19		2018/06/21		IPASS X4 EMI GUIDE HOUSING ASSEMBLY GEN 1	
				DRWN: BAREED		CHK'D: GGA		2019/07/09			
4 PLACES ±				APPR: GGA		2019/07/09		PRODUCT CUSTOMER DRAWING			
3 PLACES ±				INITIAL REVISION:		DRWN: BAREED		2005/02/03		DOCUMENT NUMBER	
2 PLACES ± 0.05				APPR: DDOYE		2005/02/03		SD-74540-400		DOC TYPE DOC PART REVISION	
1 PLACE ± 0.1				THIRD ANGLE PROJECTION		DRAWING		SERIES		MATERIAL NUMBER	
0 PLACES ±				DRAFT WHERE APPLICABLE MUST REMAIN WITHIN DIMENSIONS		B-SIZE		74540		CUSTOMER	
ANGULAR TOL ± 0.5°										SEE TABLE	
										GENERAL MARKET	
										SHEET NUMBER	
										1 OF 3	



ADVANCED TCA
LOW PROFILE GUIDE
HOUSING ASSEMBLY

PART NUMBER	DESCRIPTION	ELASTOMERIC GASKET FLAMMABILITY RATING
74540-0400	X4 EMI GUIDE HOUSING ASSEMBLY - PCIe	
74540-0500	X4 EMI GUIDE HOUSING ASSEMBLY - ATCA	

iPass™ is a trademark of Molex.

THIS DRAWING CONTAINS INFORMATION THAT IS PROPRIETARY TO MOLEX ELECTRONIC TECHNOLOGIES, LLC AND SHOULD NOT BE USED WITHOUT WRITTEN PERMISSION											
DIMENSION UNITS MM		SCALE 2:1		CURRENT REV DESC:				molex			
GENERAL TOLERANCES (UNLESS SPECIFIED)				EC NO: 620216							
				DRWN: AKUMAR19		2018/06/21		IPASS X4 EMI GUIDE HOUSING ASSEMBLY GEN 1			
				CHK'D: GGA		2019/07/09					
				APPR: GGA		2019/07/09		PRODUCT CUSTOMER DRAWING			
				INITIAL REVISION:							
				DRWN: BAREED		2005/02/03		DOCUMENT NUMBER		DOC TYPE	
				APPR: DDOYE		2005/02/03		SD-74540-400		PSD	
ANGULAR TOL ± 0.5°		THIRD ANGLE PROJECTION		DRAWING		SERIES		MATERIAL NUMBER		CUSTOMER	
DRAFT WHERE APPLICABLE MUST REMAIN WITHIN DIMENSIONS		THIRD ANGLE PROJECTION		DRAWING		SERIES		MATERIAL NUMBER		CUSTOMER	
		B-SIZE		74540		SEE TABLE		GENERAL MARKET		SHEET NUMBER	
										2 OF 3	

