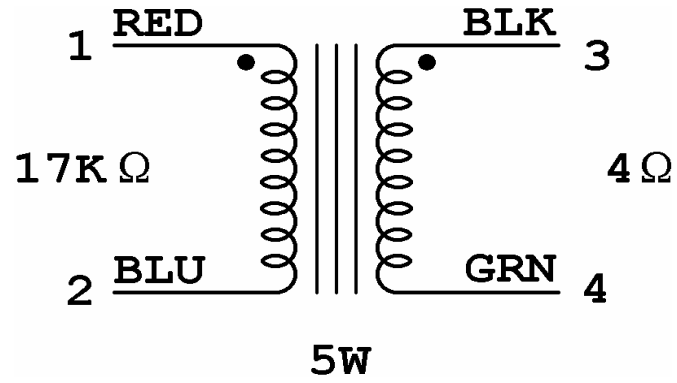
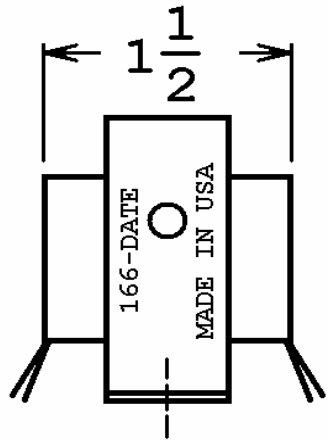
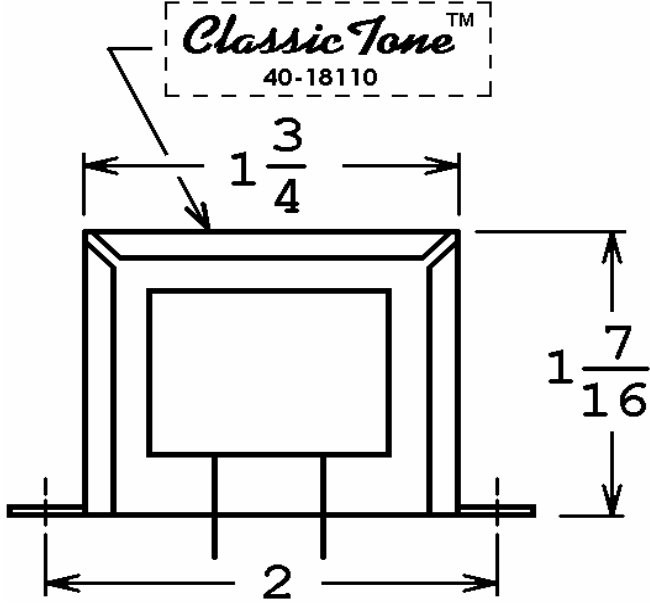


This drawing is the property of Magnetic Components, Inc. and shall not be reproduced, in whole or in part, without the written permission of Magnetic Components, Inc.

REVISIONS			
LTR	DESCRIPTION	DATE	APPROVED



P/N TO-10002

UNLESS OTHERWISE SPECIFIED		SIGNATURES		DATE		MAGNETIC COMPONENTS, INC.		DIV : SCHILLER PK	
ALL DIMENSIONS IN INCHES DO NOT SCALE DRAWING		DRAWN : <i>[Signature]</i>		26 AUG 2015		TITLE 5F1 CHAMP OUTPUT			
FRACTIONS +/-		CHECK :				CAGE 50508		PART No.	
.X = +/-		APPR : <i>[Signature]</i>		26 AUG 2015		SCALE NONE		REV	
.XX = +/-						SIZE A		40-18110	
.XXX = +/-								-	
ANGLES = +/-								SHEET :	