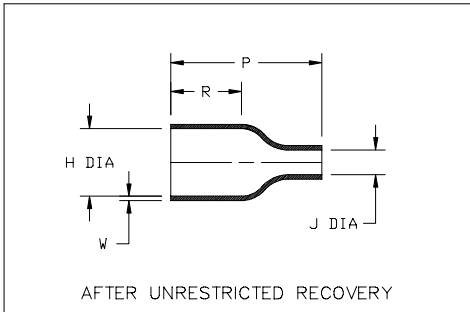
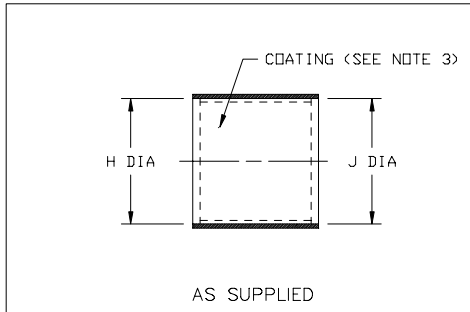


Thermofit[®] Molded Parts
 Specification Control Drawing
 Limited Distribution

Part Number : 202A174-X-03
 Description : Boot, Straight

NOTES

- All dimensions are in $\frac{\text{inches}}{\text{[millimeters]}}$
- Dimensions appearing in table are as follows:
 a - As Supplied
 b - After Unrestricted Recovery
- Coating is optional. As supplied dimensions appearing in table are for uncoated parts. When coating is added, entry diameters will be reduced by .06 max.



PART NUMBER	H		J		P	R	JO	W
	Min	Max	Min	Max				
	a	b	a	b	±20%	Ref	Ref	±20%
202A174-X-03	2.04 [51,8]	1.39 [35,3]	2.04 [51,8]	.63 [16,0]	2.25 [57,1]	1.12 [28,4]	.14 [3,5]	.13 [3,3]

**If this document is printed it becomes uncontrolled.
 Check for the latest revision.**



RAYCHEM CORPORATION
 300 CONSTITUTION DRIVE
 MENLO PARK, CALIFORNIA 94025

Revision : A
 Date : 9/4/96

Part Number : 202A174-X-03
 Description : Boot, Straight

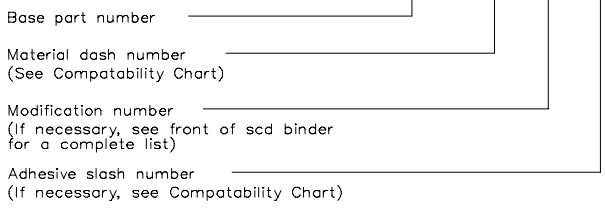
Thermofit[®] Molded Parts
 Specification Control Drawing
 Limited Distribution

Part Number : 202A174-X-03
 Description : Boot, Straight

COMPATABILITY CHART					
MATERIAL DASH NO.	MATERIAL DESCRIPTION	RT SPEC	COATING SLASH NO.	COATING S NO.	COATING DESCRIPTION
-3	Polyolefin, Semi-rigid	RT-301	/42;/86	S-1017;S-1048	Adhesive

ORDERING INFORMATION

202A174 -X- 03 /XX



THIS DRAWING IS SUBJECT TO CHANGE WITHOUT NOTICE; CONSULT YOUR
 NEAREST FIELD REPRESENTATIVE FOR CURRENT REVISION



RAYCHEM CORPORATION
 300 CONSTITUTION DRIVE
 MENLO PARK, CALIFORNIA 94025

Revision : A
 Date : 9/4/96

Part Number : 202A174-X-03
 Description : Boot, Straight