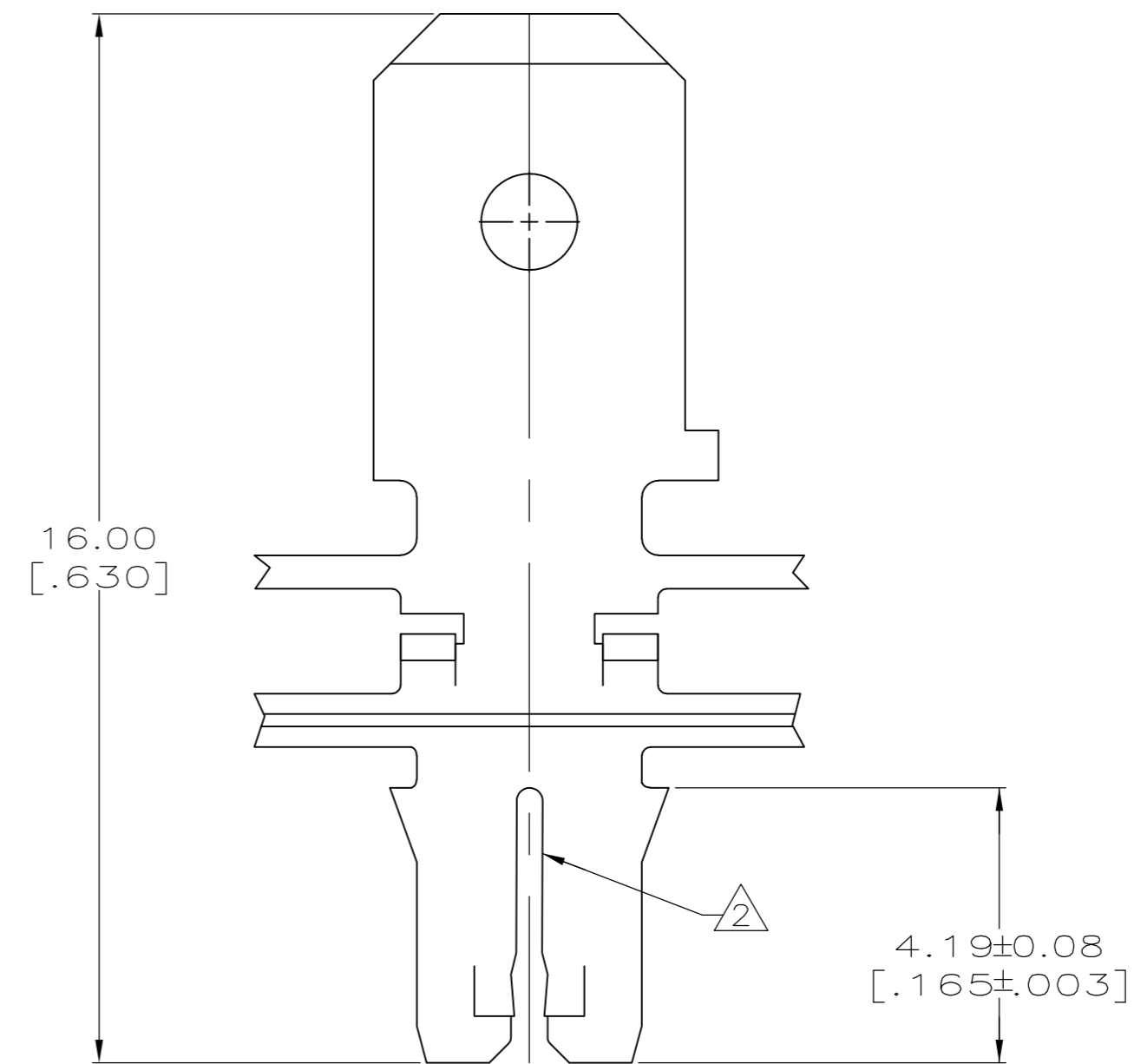
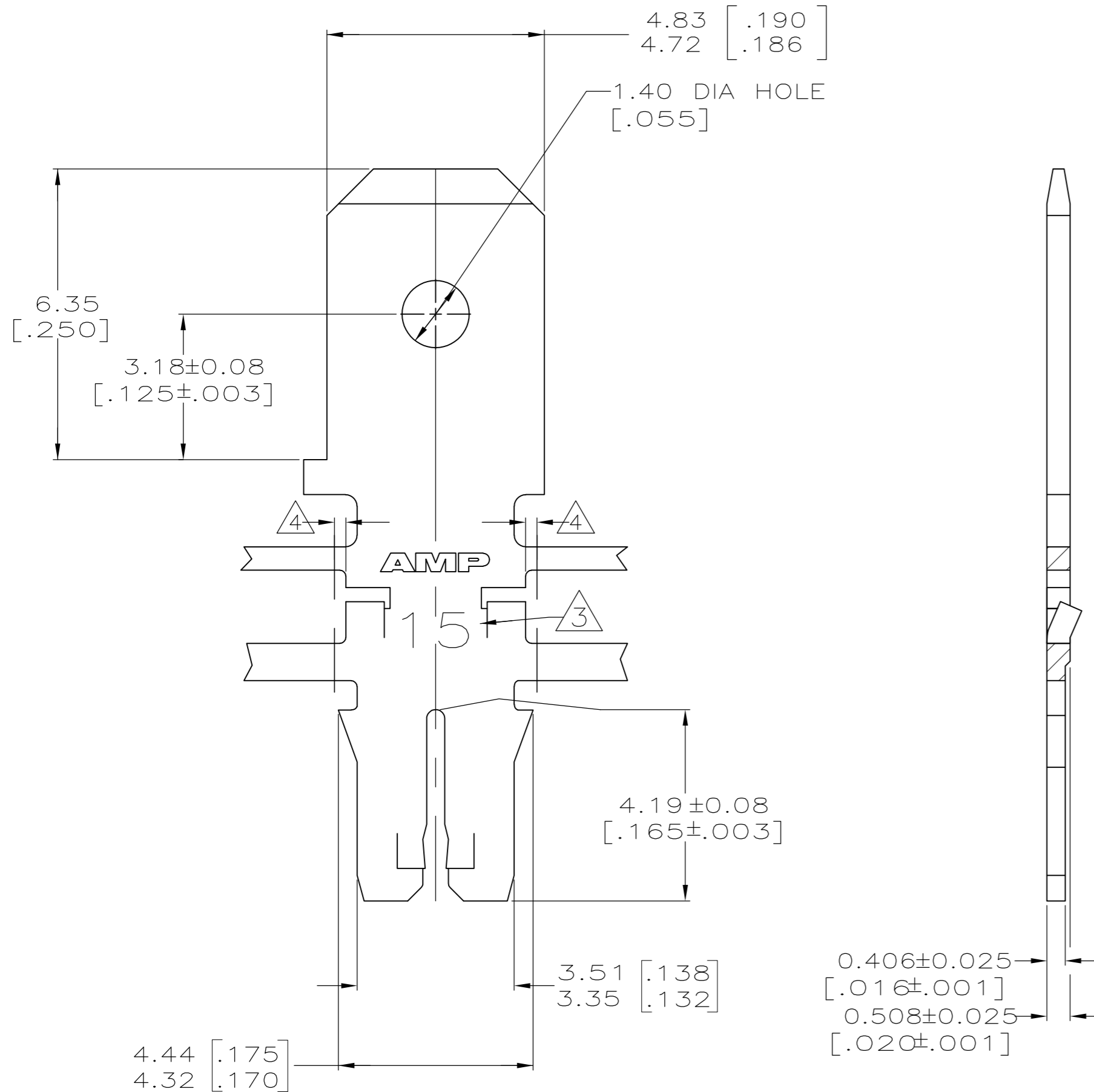


THIS DRAWING IS UNPUBLISHED. RELEASED FOR PUBLICATION
 © COPYRIGHT - By TE Connectivity ALL RIGHTS RESERVED.

REVISIONS				
P	LTR	DESCRIPTION	DATE	APVD
F2		REMOVED FASR NOTE FROM 63713-2	18JUL2017	SV

- 1 CONTINUOUS STRIP ON REELS WITH TERMINALS LOCATED ON 6.86±0.08 [.270±.003] CENTERS
- 2 SLOT ACCEPTS 0.57-0.81mm [#23-#20] AWG COPPER MAGNET WIRE. TWO WIRES OF THE SAME SIZE MAX PER SLOT FOR #23 GAGE. ONE WIRE MAX PER SLOT FOR #22-#20 AWG
- 3 IDENTIFICATION NUMBER 15 FOR THE MAGNET WIRE SLOT SIZE
- 4 0.25[.010] MAX CARRIER CUT-OFF TABS



082 BRASS	63713-2
4M BRASS	63713-1
MATERIAL	PART NO

THIS DRAWING IS A CONTROLLED DOCUMENT.		DWN	L.A.MAYER	9-27-93	 TE Connectivity
DIMENSIONS: mm[INCHES]		CHK	M.S. FEHER	9-27-93	
TOLERANCES UNLESS OTHERWISE SPECIFIED:		APVD	-	-	
0 PLC ± - 1 PLC ± - 2 PLC ± 0.13 [.005] 3 PLC ± - 4 PLC ± - ANGLES ± -		PRODUCT SPEC	108-1484	NAME	
MATERIAL	SEE TABLE	FINISH	TIN PLATED	APPLICATION SPEC	114-2140
		WEIGHT	0.0000	SIZE	A2
		CUSTOMER DRAWING		CAGE CODE	00779
				DRAWING NO	63713
		SCALE	10:1	SHEET	1 of 1
				REV	F2