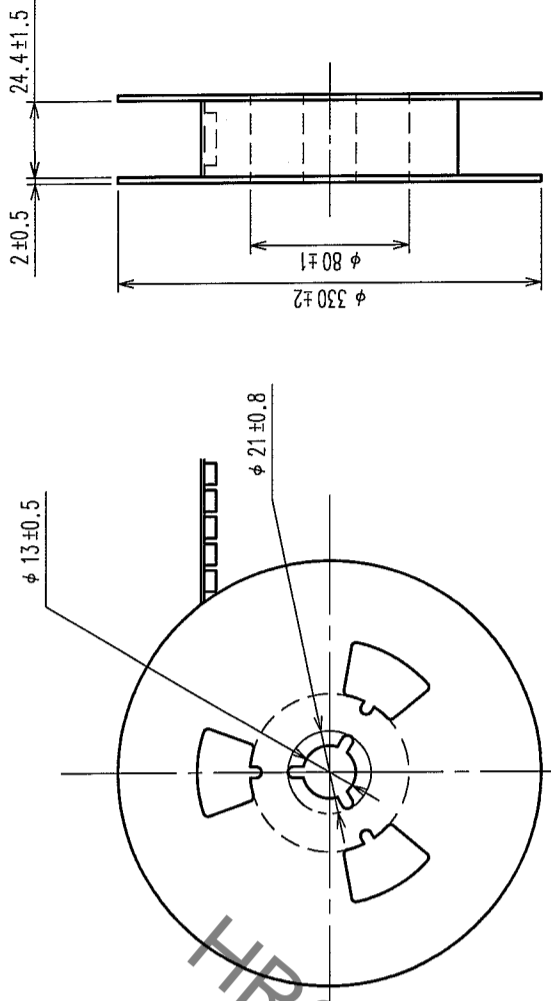


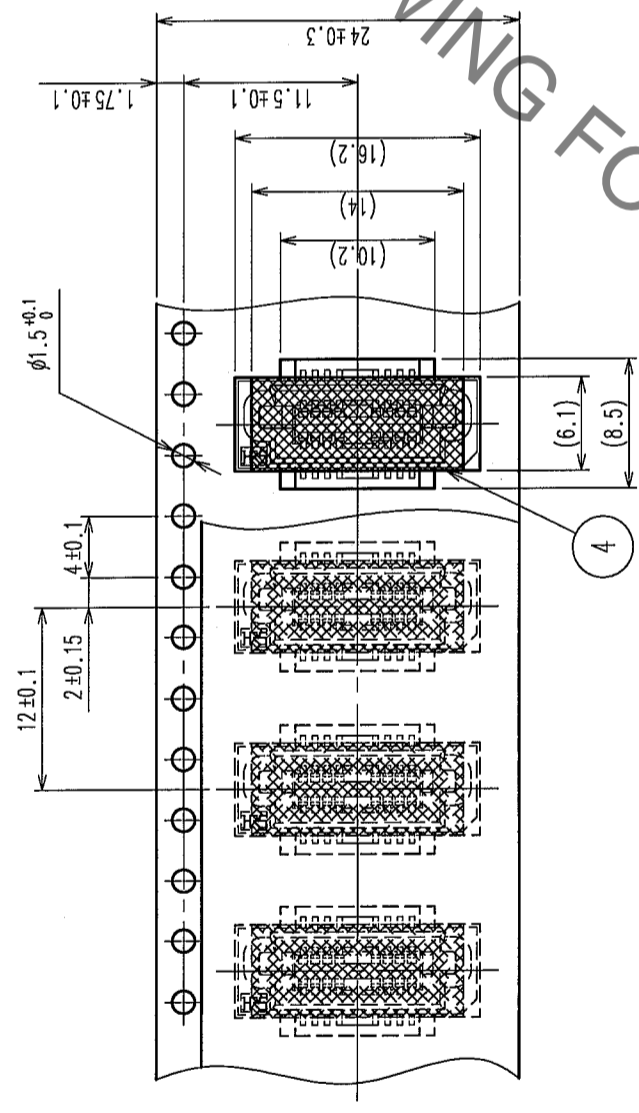
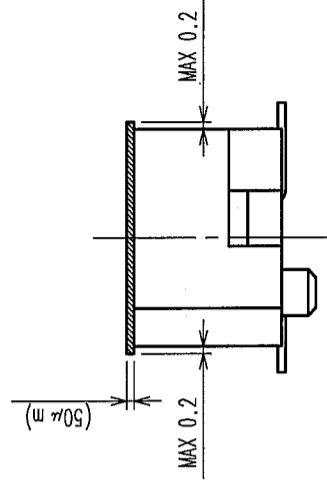
COUNT	DESCRIPTION OF REVISIONS	BY	CHKD	DATE	COUNT	DESCRIPTION OF REVISIONS	BY	CHKD	DATE
△					△				
△					△				
△					△				

STYLE AND DIMENSIONS OF REEL (FREE)

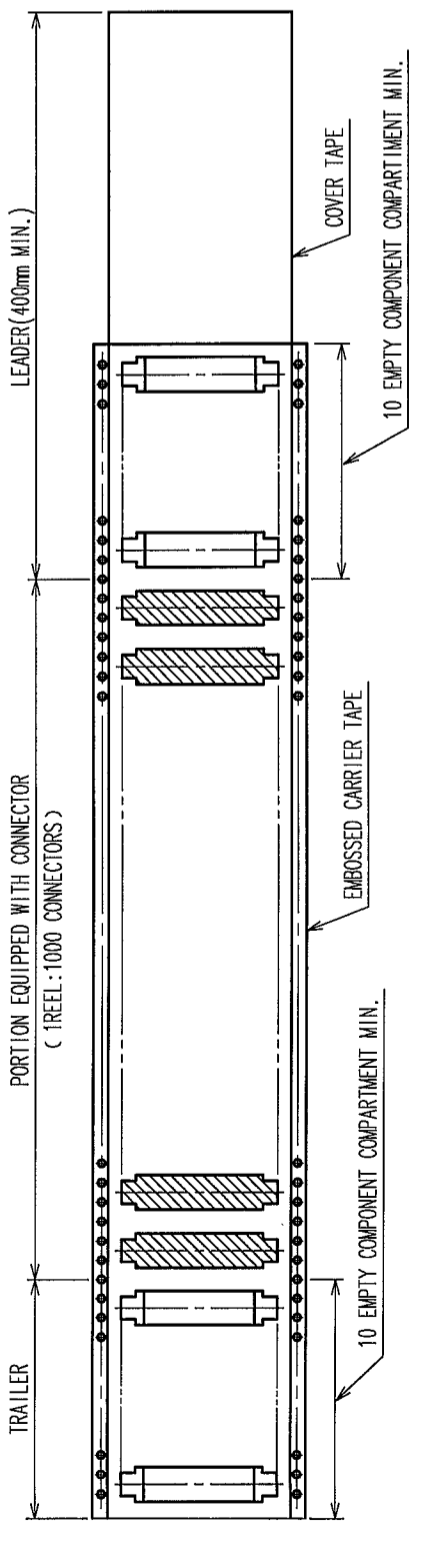
DIRECTION OF UNREELING



DETAIL OF TAPE FOR VACUUM PICK-UP (5 : 1)



NOTE 1 THE DIMENSIONS IN PARENTHESES ARE FOR REFERENCE.
2 1REEL : 1000 CONNECTORS.



2	POLYESTER	COVER TAPE	4	POLYIMIDE	TAPE FOR VACUUM PICK-UP
1	POLYSTYRENE	EMBOSSED CARRIER TAPE	3	(CONNECTOR)	
NO.	MATERIAL	FINISH, REMARKS	NO.	MATERIAL	FINISH, REMARKS
CODE NO. (OLD)	DRAWN		DESIGNED	CHECKED	APPROVED
	T. YANAGISAWA		<i>T. Yanagisawa</i>	<i>N. Ogawa</i>	<i>H. Osawa</i>
	'05.07.25		'05.08.22	'05.08.03	
SCALE	DRAWING NO.		PART NO.		
FREE	EDC3-084977-23		FX6-20S-0.8SV(93)		
UNITS	HIROSE ELECTRIC CO., LTD		CODE NO.		
mm	HRS		CL576-0101-8-93		

TO	
PCK	

HRS DRAWING FOR REFERENCE