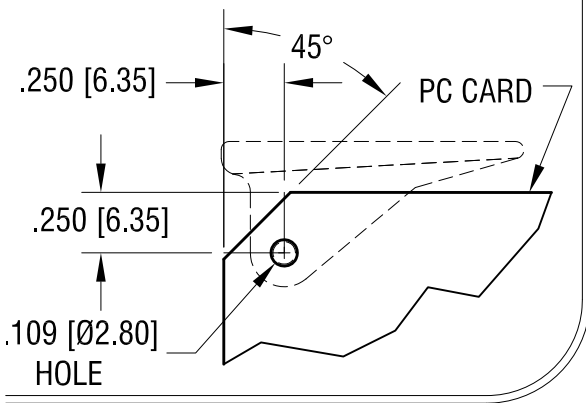
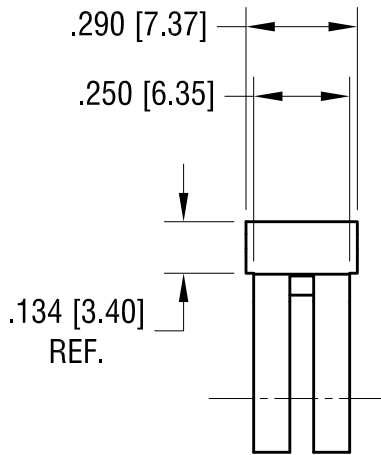
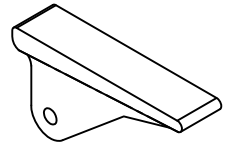


THIS DOCUMENT IS THE PROPERTY OF KEYSTONE ELECTRONICS CORP. AND SHALL NOT BE REPRODUCED, DISTRIBUTED OR USED AS A BASIS FOR MANUFACTURE WITHOUT PRIOR WRITTEN PERMISSION FROM KEYSTONE ELECTRONICS CORP.

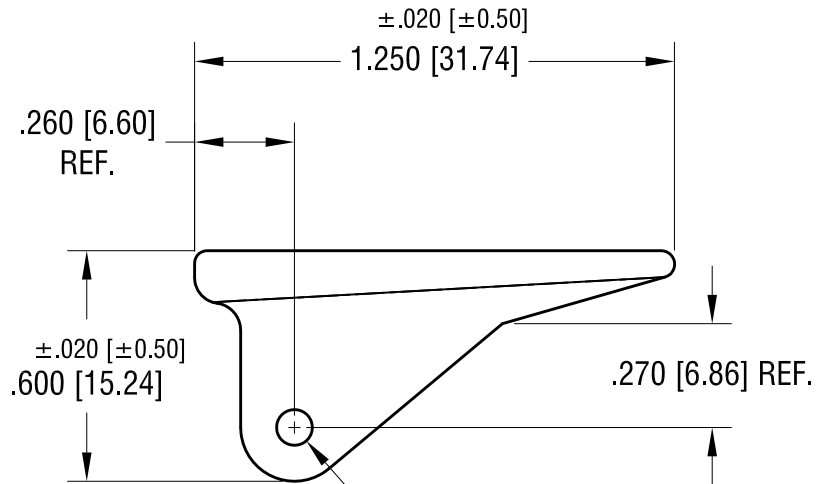
CARD MOUNTING DIMENSIONS



ACTUAL SIZE



SLOT DESIGNED FOR
.062 [1.57] THICK
PC BOARD



±.005 [±0.13]
Ø.093 [Ø2.36]
DIA. HOLE
SEE NOTE 1.

(A1)

5.16.22	NEW TOOL USED CHANGE AS PER ECN 22-070	B
5.05.14	SPLIT C/M TO 'C' AND 'M' DESIGN DID NOT CHANGED (A1) WAS .093 [2.36] ±.005 [±0.15] CHANGE AS PER ECR 14-050	A

KEYSTONE ELECTRONICS CORP.			
www.keyelco.com • NEW HYDE PARK NY 11040 • Tel (516)328-7500			
PART NAME		PC BOARD CARD EJECTOR	
MATERIAL		WHITE NYLON 6/6 UL 94V-2	
FINISH		DRN BY	DATE
NONE		BOONE	2.07.06
		APP'D	SCALE
		RH	2X
TOLERANCES	INCH [MM]	CODE	DWG NO.
DECIMAL	±.010 [±0.25]	C	8643
ANGULAR	± 1°		
UNLESS OTHERWISE SPECIFIED			

DATE	DESCRIPTION	REV.
------	-------------	------