



1842 MHz Cavity Bandpass Filter

Part Number: AB1842B752



ANATECH ELECTRONICS INC
RF & Microwave Filters & Products

Electrical specifications

Passband: 1805-1880 MHz
Center frequency: 1842.5 MHz
Insertion loss @ CF: 0.5 dB max
Return loss: 15 dB
Attenuation: >70 dB @ Fc+/- 70 MHz
Power Handling: 40W CW

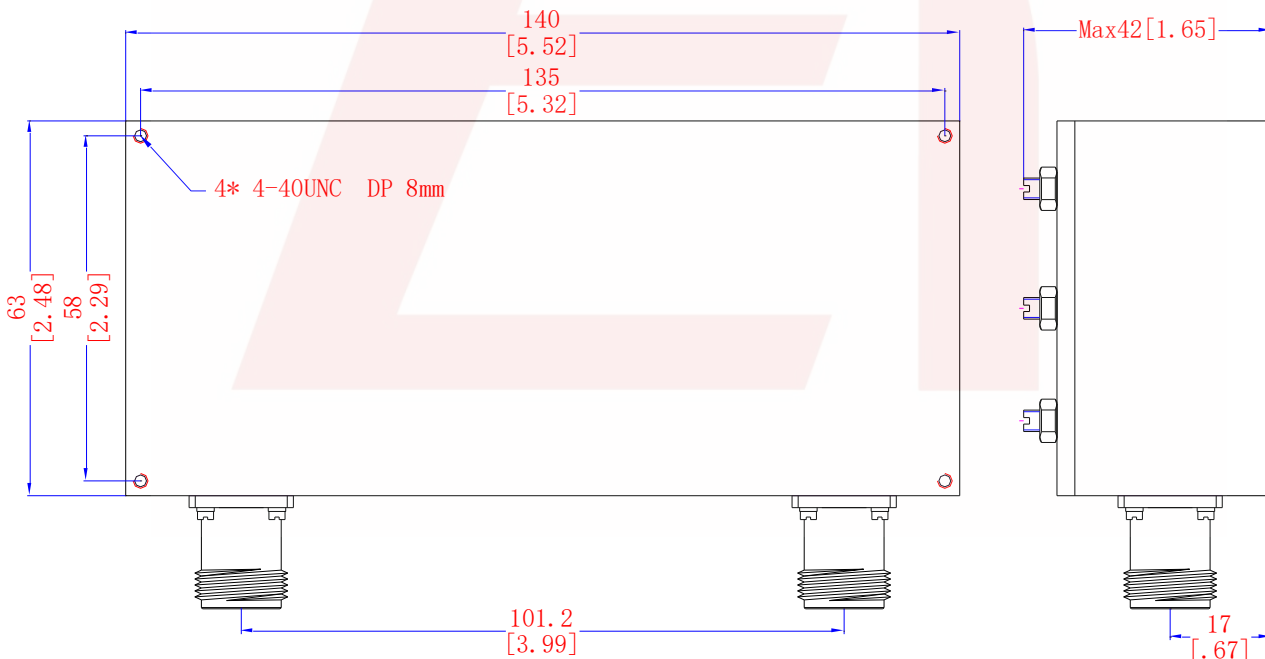
Mechanical

Mounting Method: Threaded Mounting Holes
Connector Type: N-type Female
Dimensions: 5.52 x 2.48 x 1.65 in

Environmental

Operating Temperature: -45 to +85° C
Storage Temperature: -55 to +95° C
Shock: 20 G. 11ms
Vibration: 20 G. 5 to 200 MHz

Outline Drawing:



DS-B752-10082020-Rev1



Response Plot:

