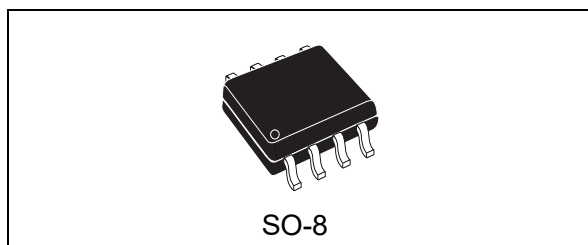


## OMNIFET III fully protected low-side driver for automotive applications

Datasheet - production data



### Description

The VNLD5090-E is a monolithic device made using STMicroelectronics VIPower technology, intended for driving resistive or inductive loads with one side connected to the battery. Built-in thermal shutdown protects the chip from overtemperature and short-circuit. Output current limitation protects the device in an overload condition. In case of long duration overload, the device limits the dissipated power to a safe level up to thermal shutdown intervention. Thermal shutdown, with automatic restart, allows the device to recover normal operation as soon as a fault condition disappears. Fast demagnetization of inductive loads is achieved at turn-off.

### Features

Type	V <sub>clamp</sub>	R <sub>DS(on)</sub>	I <sub>D</sub>
VNLD5090-E	41 V	90 mΩ	25 A

- AEC-Q100 qualified
- Drain current: 13 A
- ESD protection
- Overvoltage clamp
- Thermal shutdown
- Current and power limitation
- Very low standby current
- Very low electromagnetic susceptibility
- In compliance with the 2002/95/EC European directive



**Table 1. Device summary**

Package	Order codes	
	Tube	Tape and reel
SO-8	VNLD5090-E	VNLD5090TR-E

# Contents

<b>1</b>	<b>Block diagrams and pins configurations</b>	<b>5</b>
<b>2</b>	<b>Electical specifications</b>	<b>7</b>
2.1	Absolute maximum ratings	7
2.2	Thermal data	7
2.3	Electrical characteristics	8
<b>3</b>	<b>Application information</b>	<b>11</b>
3.1	MCU I/O protection	11
<b>4</b>	<b>Package and PC board thermal data</b>	<b>13</b>
4.1	SO-8 thermal data	13
<b>5</b>	<b>Package and packing information</b>	<b>16</b>
5.1	ECOPACK	16
5.2	SO-8 mechanical data	16
5.3	SO-8 packing information	18
<b>6</b>	<b>Revision history</b>	<b>19</b>

## List of tables

Table 1.	Devices summary . . . . .	1
Table 2.	Pin function . . . . .	5
Table 3.	Suggested connections for unused and n.c. pins . . . . .	6
Table 4.	Absolute maximum ratings . . . . .	7
Table 5.	Thermal data . . . . .	7
Table 6.	PowerMOS section . . . . .	8
Table 7.	Source drain diode . . . . .	8
Table 8.	Input section . . . . .	8
Table 9.	Status pin . . . . .	8
Table 10.	Switching characteristics . . . . .	9
Table 11.	Protection and diagnostics . . . . .	9
Table 12.	Truth table. . . . .	10
Table 13.	SO-8 thermal parameters . . . . .	15
Table 14.	SO-8 mechanical data . . . . .	17
Table 15.	Document revision history . . . . .	19

## List of figures

Figure 1.	Block diagram . . . . .	5
Figure 2.	Current and voltage conventions . . . . .	6
Figure 3.	Configuration diagrams (top view) . . . . .	6
Figure 4.	Switching characteristics . . . . .	10
Figure 5.	Application schematic . . . . .	11
Figure 6.	Maximum demagnetization energy ( $V_{CC} = 16\text{ V}$ ) . . . . .	12
Figure 7.	SO-8 PC board . . . . .	13
Figure 8.	SO-8 $R_{thj-amb}$ vs PCB copper area in open box free air condition . . . . .	13
Figure 9.	SO-8 thermal impedance junction ambient single pulse . . . . .	14
Figure 10.	Thermal fitting model of a LSD in SO-8 . . . . .	14
Figure 11.	SO-8 package dimensions . . . . .	16
Figure 12.	SO-8 tube shipment (no suffix) . . . . .	18
Figure 13.	SO-8 tape and reel shipment (suffix "TR") . . . . .	18

# 1 Block diagrams and pins configurations

Figure 1. Block diagram

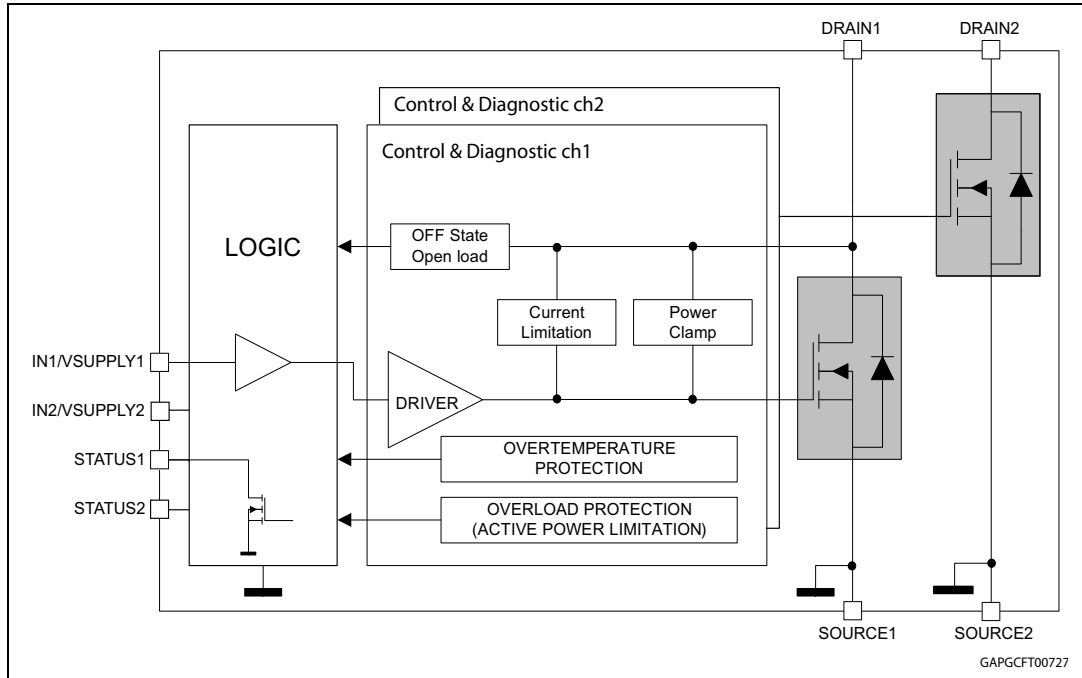


Table 2. Pin function

Name	Function
IN <sub>1,2</sub> /VSUPPLY <sub>1,2</sub>	Voltage controlled input pin with hysteresis, CMOS compatible. They controls output switch state
DRAIN <sub>1,2</sub>	PowerMOS drain
SOURCE <sub>1,2</sub>	PowerMOS source and ground reference for the control section
STATUS <sub>1,2</sub>	Open drain digital diagnostic pin

Figure 2. Current and voltage conventions

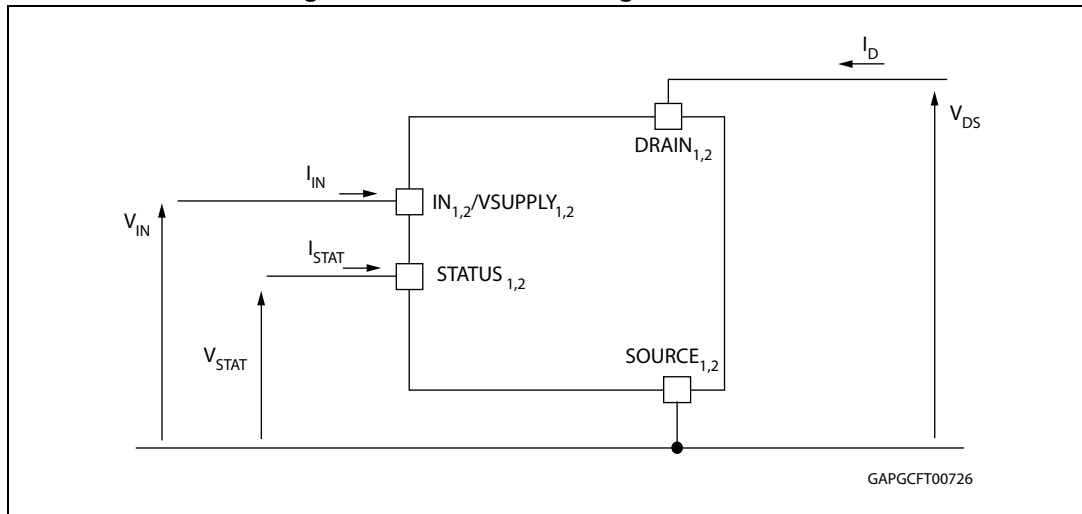


Figure 3. Configuration diagrams (top view)

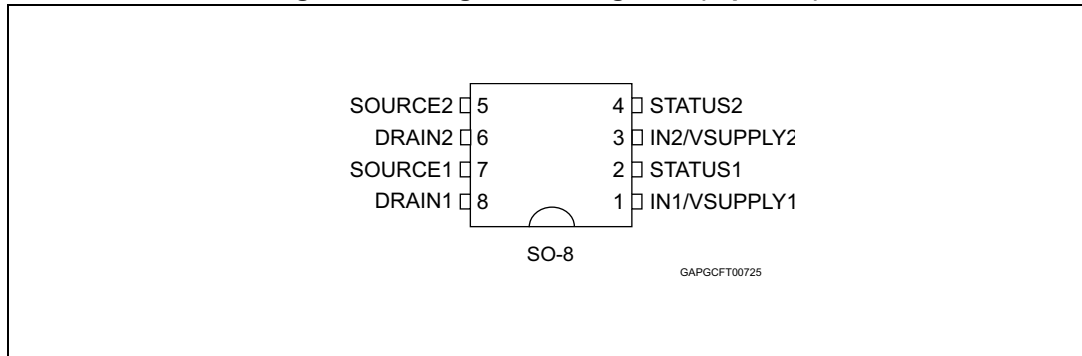


Table 3. Suggested connections for unused and n.c. pins

Connection / pin	STATUS <sub>1,2</sub>	N.C.	INPUT <sub>1,2</sub>
Floating	X <sup>(1)</sup>	X	X
To ground	Not allowed	X	Through 10 kΩ resistor

1. X: do not care.

## 2 Electical specifications

### 2.1 Absolute maximum ratings

Stressing the device above the rating listed in the [Table 4](#) may cause permanent damage to the device. These are stress ratings only and operation of the device at these or any other conditions above those indicated in the operating sections of this specification is not implied. Exposure to absolute maximum rating conditions for extended periods may affect device reliability.

**Table 4. Absolute maximum ratings**

Symbol	Parameter	Value	Unit
		SO-8	
$V_{DS}$	Drain-source voltage ( $V_{IN} = 0$ V)	Internally clamped	V
$I_D$	DC drain current	Internally limited	A
$-I_D$	Reverse DC drain current	12.5	A
$I_S$	DC supply current	-1 to 10	mA
$I_{IN}$	DC input current	-1 to 10	mA
$I_{STAT}$	DC status current	-1 to 10	mA
$V_{ESD1}$	Electrostatic discharge ( $R = 1.5$ k $\Omega$ ; $C = 100$ pF) – DRAIN – SUPPLY, INPUT, STATUS	5000 4000	V
$V_{ESD2}$	Electrostatic discharge on output pin only ( $R = 330$ $\Omega$ , $C = 150$ pF)	2000	V
$T_j$	Junction operating temperature	-40 to 150	$^{\circ}$ C
$T_{stg}$	Storage temperature	-55 to 150	$^{\circ}$ C
$E_{AS}$	Single pulse avalanche energy ( $L = 1.1$ mH; $T_j = 150$ $^{\circ}$ C; $R_L = 0$ ; $I_{OUT} = I_{limL}$ )	50	mJ

### 2.2 Thermal data

**Table 5. Thermal data**

Symbol	Parameter	Maximum value	Unit
		SO-8	
$R_{thj-amb}$	Thermal resistance junction-ambient	108	$^{\circ}$ C/W

## 2.3 Electrical characteristics

Values specified in this section are for  $V_{INx/SUPPLYx} = 4.5\text{ V to }5.5\text{ V}$ ,  $-40^{\circ}\text{C} < T_j < 150^{\circ}\text{C}$ , unless otherwise stated.

**Table 6. PowerMOS section**

Symbol	Parameter	Test conditions	Min.	Typ.	Max.	Unit
$R_{ON}$	ON-state resistance	$I_D = 1.6\text{ A}$ ; $T_j = 25^{\circ}\text{C}$ , $V_{INx/SUPPLYx} = 5\text{ V}$			90	m $\Omega$
		$I_D = 1.6\text{ A}$ ; $T_j = 150^{\circ}\text{C}$ , $V_{INx/SUPPLYx} = 5\text{ V}$			180	
		$I_D = 1.6\text{ A}$ ; $T_j = 150^{\circ}\text{C}$ , $V_{INx/SUPPLYx} = 4.5\text{ V}$			190	
$V_{CLAMP}$	Drain-source clamp voltage	$V_{IN} = 5\text{ V}$ ; $I_D = 1.6\text{ A}$	41	46	52	V
$V_{CLTH}$	Drain-source clamp threshold voltage	$V_{IN} = 0\text{ V}$ ; $I_D = 2\text{ mA}$	36			V
$I_{DSS}$	OFF-state output current	$V_{IN} = 0\text{ V}$ ; $V_{DS} = 13\text{ V}$ ; $T_j = 25^{\circ}\text{C}$	0		3	$\mu\text{A}$
		$V_{IN} = 0\text{ V}$ ; $V_{DS} = 13\text{ V}$ ; $T_j = 125^{\circ}\text{C}$	0		5	

**Table 7. Source drain diode**

Symbol	Parameter	Test conditions	Min.	Typ.	Max.	Unit
$V_{SD}$	Forward on voltage	$I_D = 1.6\text{ A}$ ; $V_{IN} = 0\text{ V}$	—	0.8	—	V

**Table 8. Input section**

Symbol	Parameter	Test conditions	Min.	Typ.	Max.	Unit
$I_{ISS}$	Supply current from input pin	ON-state: $V_{INx/SUPPLYx} = 5\text{ V}$ ; $V_{DS} = 0\text{ V}$		30	65	$\mu\text{A}$
$V_{ICL}$	Input clamp voltage	$I_S = 1\text{ mA}$	5.5		7	V
		$I_S = -1\text{ mA}$		-0.7		
$V_{INTH}$	Input threshold voltage	$V_{DS} = V_{IN}$ ; $I_D = 1\text{ mA}$	1		3.5	V

**Table 9. Status pin**

Symbol	Parameter	Test conditions	Min.	Typ.	Max.	Unit
$V_{STAT}$	Status low output voltage	$I_{STAT} = 1\text{ mA}$			0.5	V
$I_{LSTAT}$	Status leakage current	Normal operation; $V_{STAT} = 5\text{ V}$			10	$\mu\text{A}$
$C_{STAT}$	Status pin input capacitance	Normal operation; $V_{STAT} = 5\text{ V}$			100	pF



Table 9. Status pin (continued)

Symbol	Parameter	Test conditions	Min.	Typ.	Max.	Unit
V <sub>STCL</sub>	Status clamp voltage	I <sub>STAT</sub> = 1 mA	5.5		7	V
		I <sub>STAT</sub> = -1 mA		-0.7		

Table 10. Switching characteristics

Symbol	Parameter	Test conditions	Min.	Typ.	Max.	Unit
t <sub>d(ON)</sub>	Turn-on delay time	R <sub>L</sub> = 8.2 Ω; V <sub>CC</sub> = 13 V <sup>(1)</sup>	—	8	—	μs
t <sub>d(OFF)</sub>	Turn-off delay time	R <sub>L</sub> = 8.2 Ω; V <sub>CC</sub> = 13 V <sup>(1)</sup>	—	3.4	—	μs
t <sub>r</sub>	Rise time	R <sub>L</sub> = 8.2 Ω; V <sub>CC</sub> = 13 V <sup>(1)</sup>	—	10	—	μs
t <sub>f</sub>	Fall time	R <sub>L</sub> = 8.2 Ω; V <sub>CC</sub> = 13 V <sup>(1)</sup>	—	2.7	—	μs
W <sub>ON</sub>	Switching energy losses at turn-on	R <sub>L</sub> = 8.2 Ω; V <sub>CC</sub> = 13 V <sup>(1)</sup>	—	57	—	μJ
W <sub>OFF</sub>	Switching energy losses at turn-off	R <sub>L</sub> = 8.2 Ω; V <sub>CC</sub> = 13 V <sup>(1)</sup>	—	14	—	μJ
Qg	Total gate charge	V <sub>INx/SUPPLYx</sub> = 5 V		2		nC

1. See [Figure 4: Switching characteristics](#).

Note: See [Figure 5: Application schematic](#).

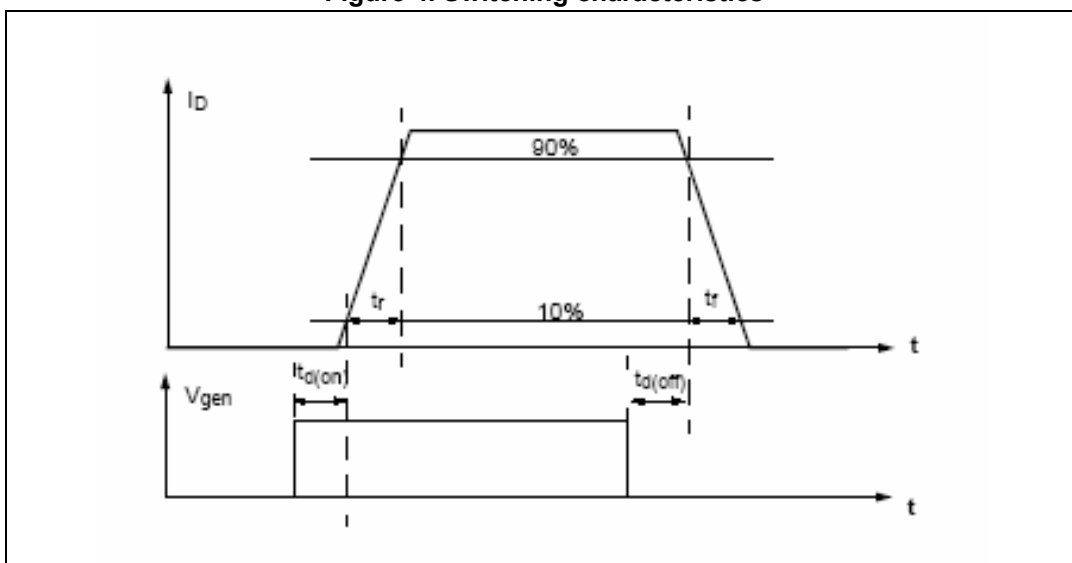
Table 11. Protection and diagnostics

Symbol	Parameter	Test conditions	Min.	Typ.	Max.	Unit
I <sub>limH</sub>	DC short-circuit current	V <sub>DS</sub> = 13 V; V <sub>INx/SUPPLYx</sub> = 5 V	13	18	25	A
I <sub>limL</sub>	Short-circuit current during thermal cycling	V <sub>DS</sub> = 13 V; T <sub>R</sub> < T <sub>j</sub> < T <sub>TSD</sub> ; V <sub>INx/SUPPLYx</sub> = 5 V		8		A
t <sub>dlimL</sub>	Step response current limit	V <sub>DS</sub> = 13 V; V <sub>input</sub> = 5 V		44		μs
T <sub>TSD</sub>	Shutdown temperature		150	175	200	°C
T <sub>R</sub>	Reset temperature		T <sub>RS</sub> + 1	T <sub>RS</sub> + 5		°C
T <sub>RS</sub>	Thermal reset of STATUS		135			°C
T <sub>HYST</sub>	Thermal hysteresis (T <sub>TSD</sub> - T <sub>R</sub> )			7		°C

Table 12. Truth table

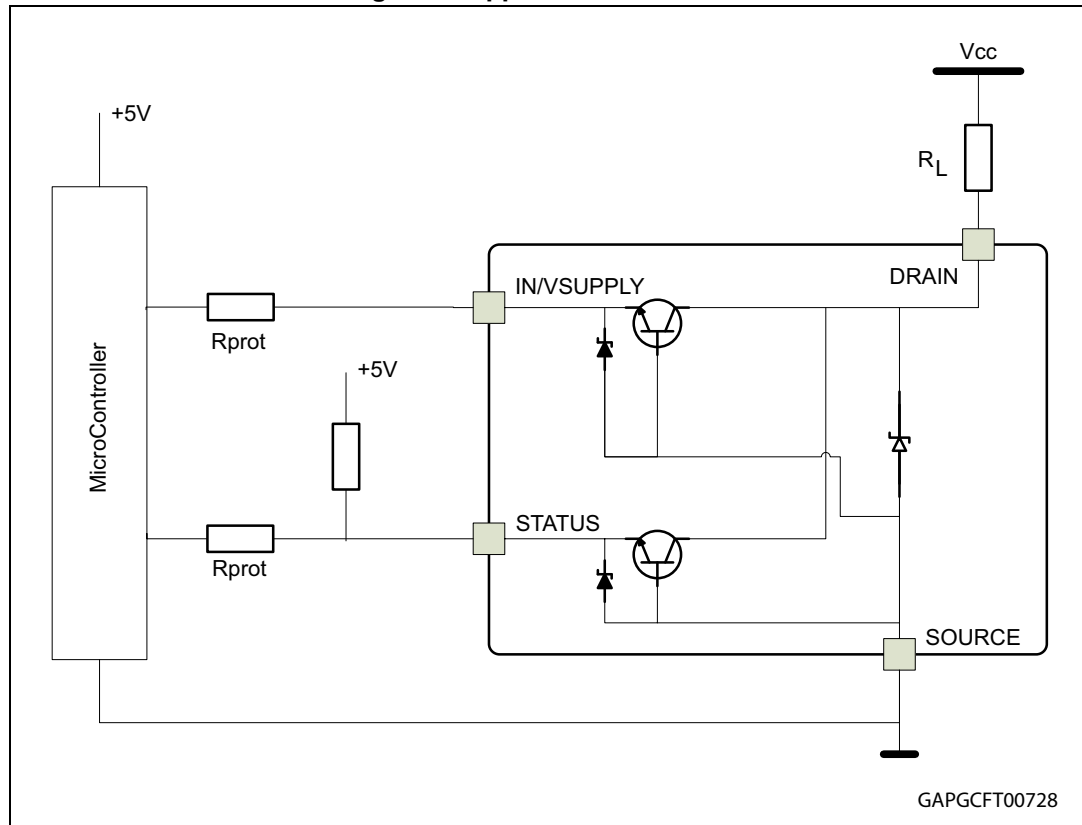
Conditions	INPUT	DRAIN	STATUS
Normal operation	L	H	H
	H	L	H
Current limitation	L	H	H
	H	X	H
Overtemperature	L	H	H
	H	H	L
Undervoltage	L	H	X
	H	H	X

Figure 4. Switching characteristics



### 3 Application information

Figure 5. Application schematic



#### 3.1 MCU I/O protection

ST suggests to insert a resistor ( $R_{\text{prot}}$ ) in line to prevent the microcontroller I/O pins from latching up<sup>(a)</sup>. The value of these resistors is a compromise between the leakage current of microcontroller and the current required by the LSD I/Os (input levels compatibility) with the latch-up limit of microcontroller I/Os:

##### Equation 1

$$\frac{0.7}{I_{\text{latchup}}} \leq R_{\text{prot}} \leq \frac{(V_{\text{OH}\mu\text{C}} - V_{\text{IH}})}{I_{\text{H max}}}$$

Let:

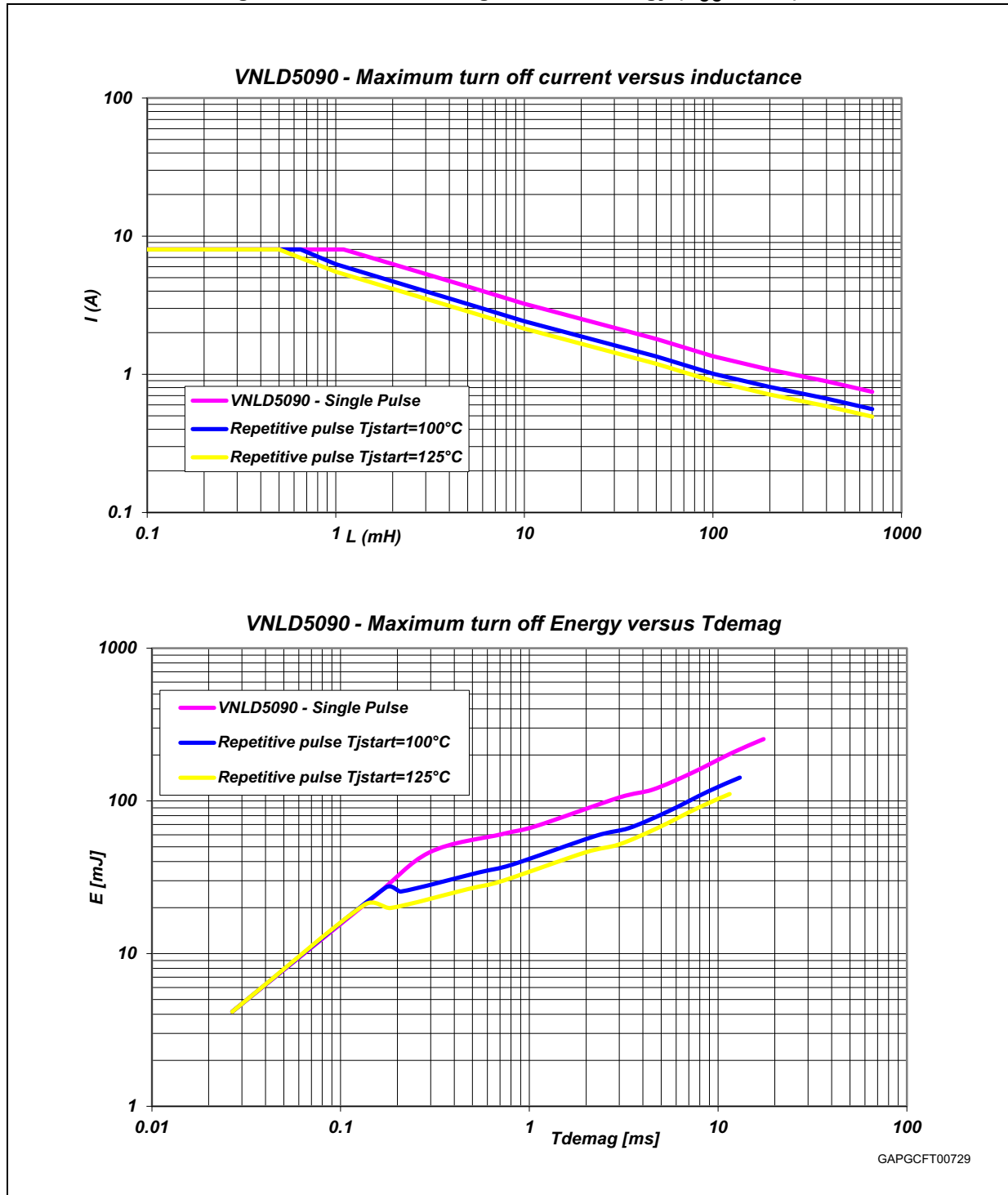
- $I_{\text{latchup}} \geq 20 \text{ mA}$
- $V_{\text{OH}\mu\text{C}} \geq 4.5 \text{ V}$
- $35 \Omega \leq R_{\text{prot}} \leq 100 \text{ K}\Omega$

a. In case of negative transient on the drain pin.

Then, the recommended value is  $R_{prot} = 1\text{ K}\Omega$

Figure 6 shows the turn-off current drawn during the demagnetization.

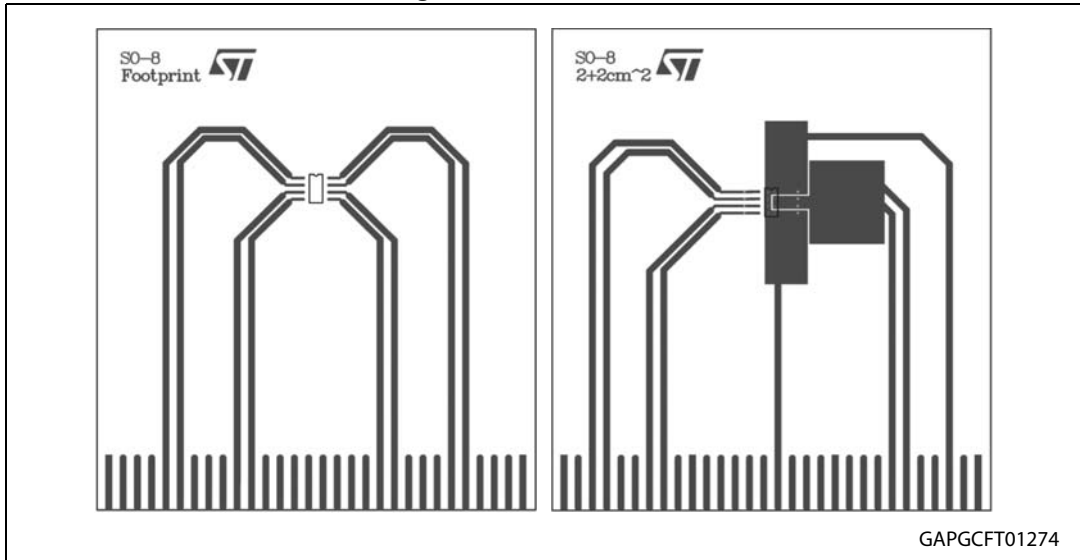
Figure 6. Maximum demagnetization energy ( $V_{CC} = 16\text{ V}$ )



## 4 Package and PC board thermal data

### 4.1 SO-8 thermal data

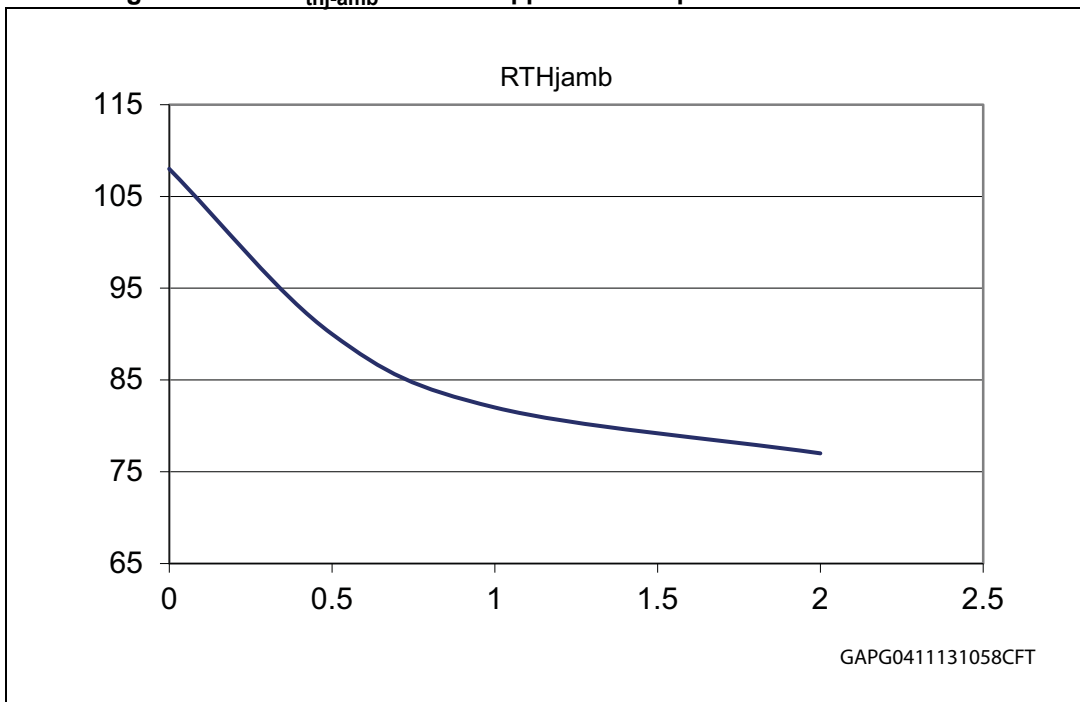
Figure 7. SO-8 PC board



GAPGCFT01274

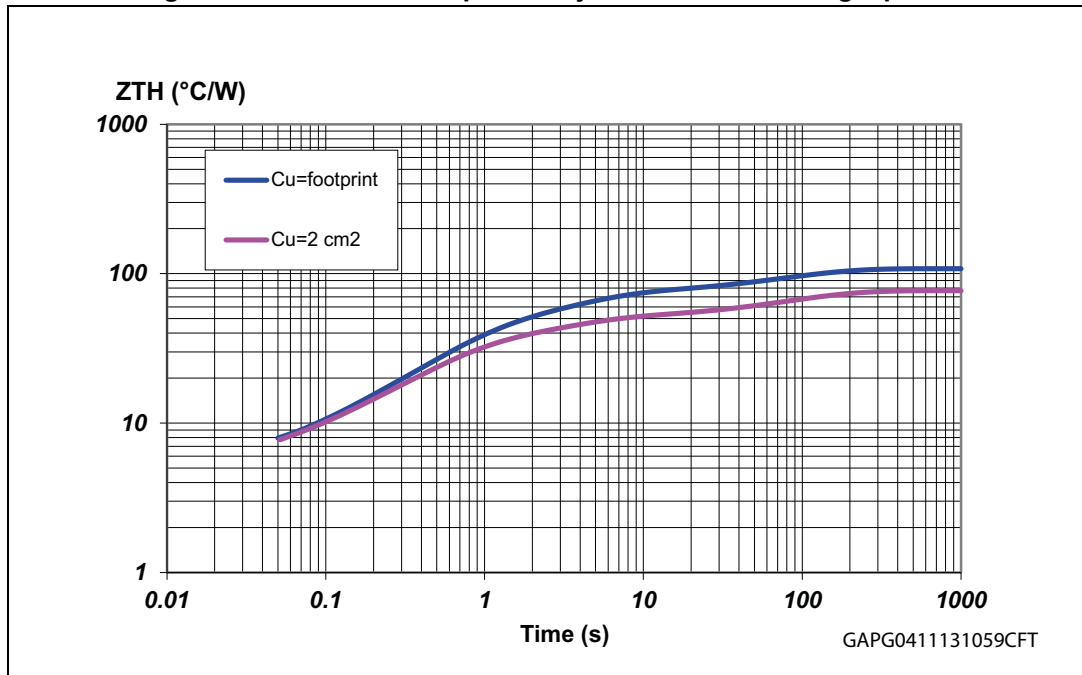
Note: Layout condition of  $R_{th}$  and  $Z_{th}$  measurements (Board finish thickness 1.6 mm +/- 10%; Board double layer; Board dimension 78 mm x 86 mm; Board Material FR4; Cu thickness 0.070 mm (front and back side); Thermal vias separation 1.2 mm; Thermal via diameter 0.3 mm +/- 0.08 mm; Cu thickness on vias 0.025 mm).

Figure 8. SO-8  $R_{thj-amb}$  vs PCB copper area in open box free air condition



GAPG0411131058CFT

Figure 9. SO-8 thermal impedance junction ambient single pulse

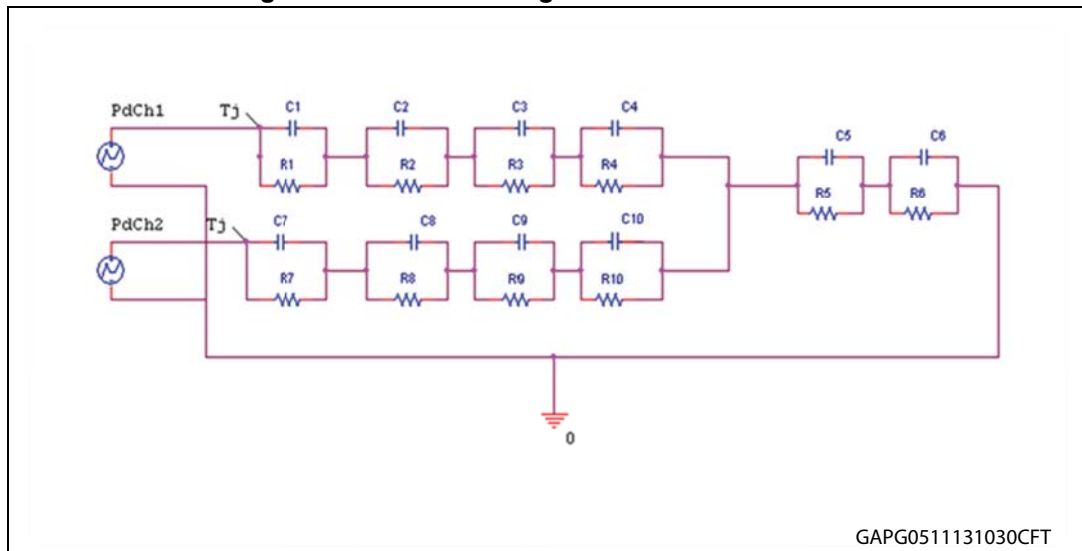


Equation 2: pulse calculation formula

$$Z_{TH\delta} = R_{TH} \cdot \delta + Z_{THtp}(1 - \delta)$$

where  $\delta = t_p/T$

Figure 10. Thermal fitting model of a LSD in SO-8



Note: The fitting model is a simplified thermal tool and is valid for transient evolutions where the embedded protections (power limitation or thermal cycling during thermal shutdown) are not triggered.

Table 13. SO-8 thermal parameters

Area/island (cm <sup>2</sup> )	Footprint	2
R1 = R7 (°C/W)	0.8	0.8
R2 = R8 (°C/W)	2.7	2.7
R3 = R9 (°C/W)	1.5	1.5
R4 = R10 (°C/W)	32	25
R5 (°C/W)	36	20
R6 (°C/W)	35	27
C1 = C7 (W.s/°C)	0.00005	0.00005
C2 = C8 (W.s/°C)	0.001	0.001
C3 = C9 (W.s/°C)	0.01	0.01
C4 = C10 (W.s/°C)	0.02	0.02
C5 (W.s/°C)	0.1	0.15
C6 (W.s/°C)	2.5	3.5

## 5 Package and packing information

### 5.1 ECOPACK

In order to meet environmental requirements, ST offers these devices in different grades of ECOPACK packages, depending on their level of environmental compliance. ECOPACK specifications, grade definitions and product status are available at: [www.st.com](http://www.st.com). ECOPACK is an ST trademark.

### 5.2 SO-8 mechanical data

Figure 11. SO-8 package dimensions

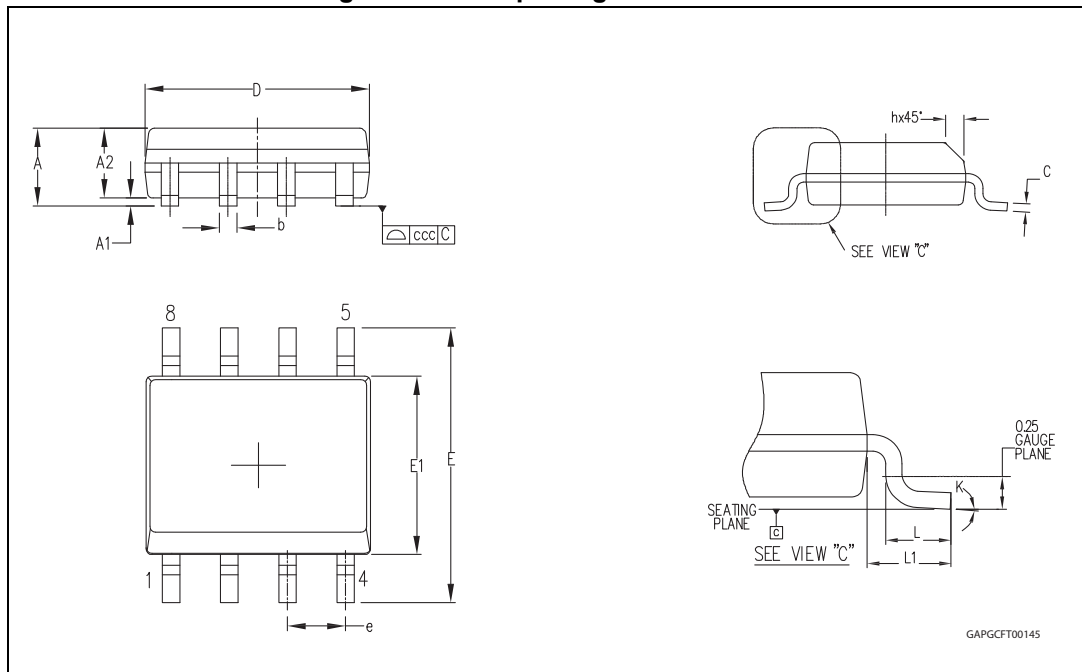




Table 14. SO-8 mechanical data

Symbol	Millimeters		
	Min.	Typ.	Max.
A			1.75
A1	0.10		0.25
A2	1.25		
b	0.28		0.48
c	0.17		0.23
D <sup>(1)</sup>	4.80	4.90	5.00
E	5.80	6.00	6.20
E1 <sup>(2)</sup>	3.80	3.90	4.00
e		1.27	
h	0.25		0.50
L	0.40		1.27
L1		1.04	
k	0°		8°
ccc			0.10

1. Dimensions D does not include mold flash, protrusions or gate burrs. Mold flash, protrusions or gate burrs shall not exceed 0.15 mm in total (both side).
2. Dimension "E1" does not include interlead flash or protrusions. Interlead flash or protrusions shall not exceed 0.25 mm per side.

### 5.3 SO-8 packing information

Figure 12. SO-8 tube shipment (no suffix)

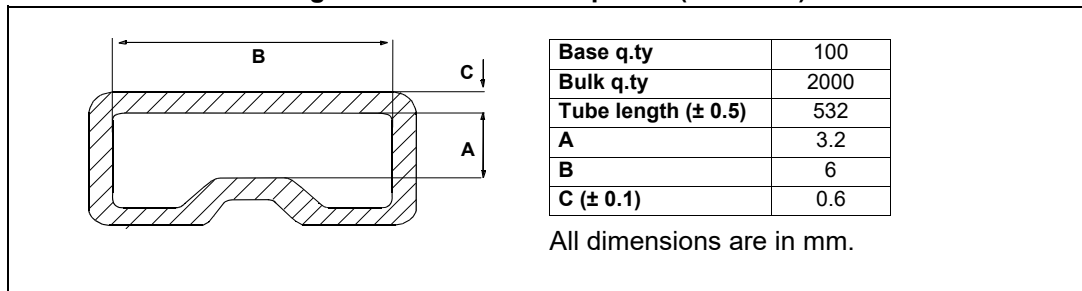
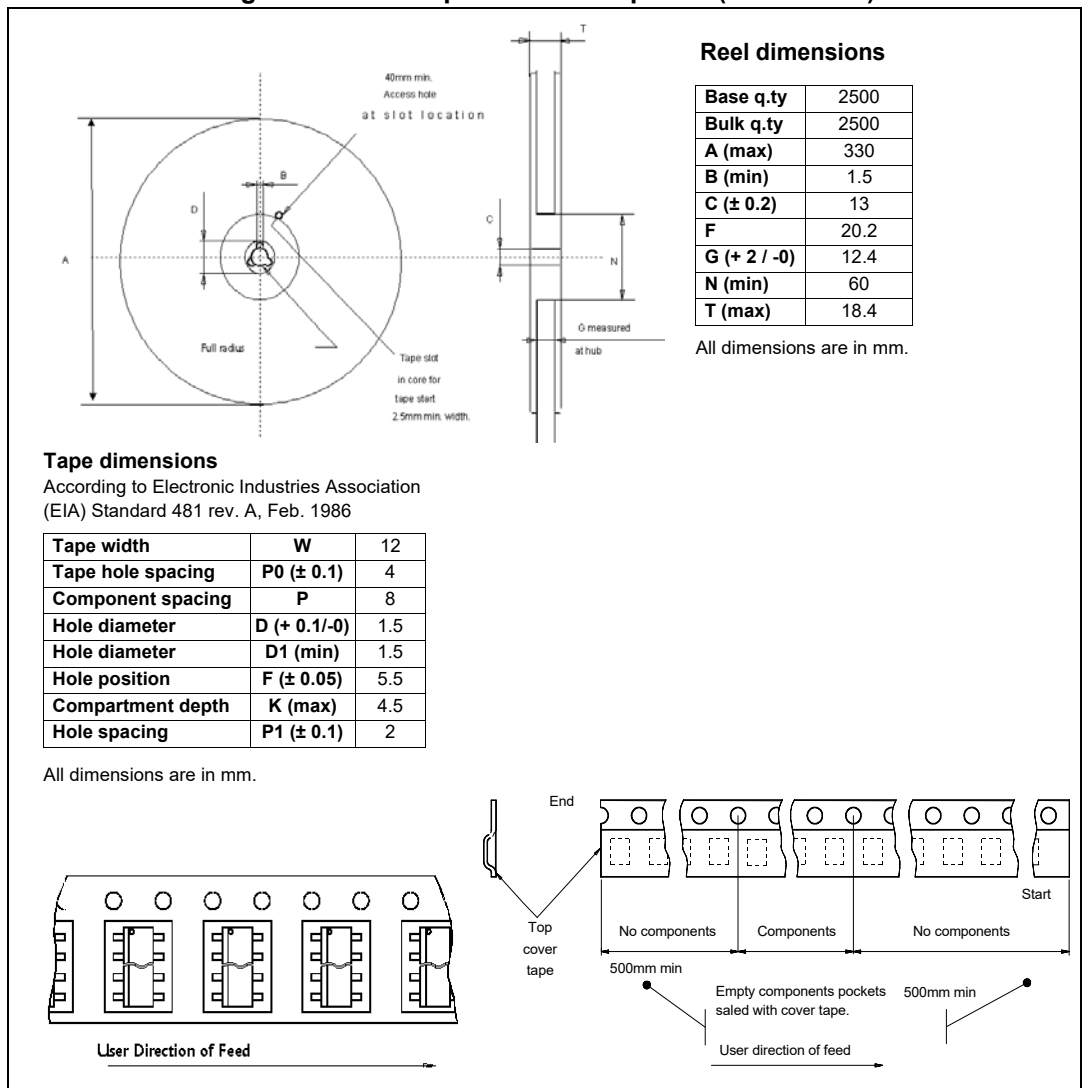


Figure 13. SO-8 tape and reel shipment (suffix “TR”)



## 6 Revision history

**Table 15. Document revision history**

Date	Revision	Changes
16-May-2012	1	Initial release.
21-Jun-2012	2	Updated Figure 3: Configuration diagrams (top view)
13-Nov-2013	3	Updated Features list Table 4: Absolute maximum ratings: – $I_D$ , $E_{AS}$ : updated values Updated Table 5: Thermal data Table 6: PowerMOS section: – $V_{CLAMP}$ : updated parameter Table 8: Input section: – $I_{SS}$ : updated maximum value Table 10: Switching characteristics: – $W_{ON}$ , $W_{OFF}$ : updated unit values Updated Figure 5: Application schematic Updated Section 3.1: MCU I/O protection Added Chapter 4: Package and PC board thermal data
26-Feb-2015	4	Table 12: Truth table: removed “Output voltage < $V_{OL}$ ” condition
26-Oct-2017	5	Added in cover page “automotive” word in the title and the icon of the car. Updated Features on page 1.
20-Sep-2021	6	Updated <a href="#">Table 8: Input section</a> .

**IMPORTANT NOTICE – PLEASE READ CAREFULLY**

STMicroelectronics NV and its subsidiaries (“ST”) reserve the right to make changes, corrections, enhancements, modifications, and improvements to ST products and/or to this document at any time without notice. Purchasers should obtain the latest relevant information on ST products before placing orders. ST products are sold pursuant to ST’s terms and conditions of sale in place at the time of order acknowledgement.

Purchasers are solely responsible for the choice, selection, and use of ST products and ST assumes no liability for application assistance or the design of Purchasers’ products.

No license, express or implied, to any intellectual property right is granted by ST herein.

Resale of ST products with provisions different from the information set forth herein shall void any warranty granted by ST for such product.

ST and the ST logo are trademarks of ST. For additional information about ST trademarks, please refer to [www.st.com/trademarks](http://www.st.com/trademarks). All other product or service names are the property of their respective owners.

Information in this document supersedes and replaces information previously supplied in any prior versions of this document.

© 2021 STMicroelectronics – All rights reserved