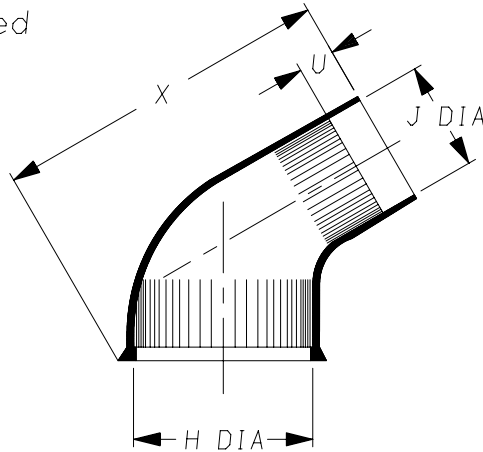
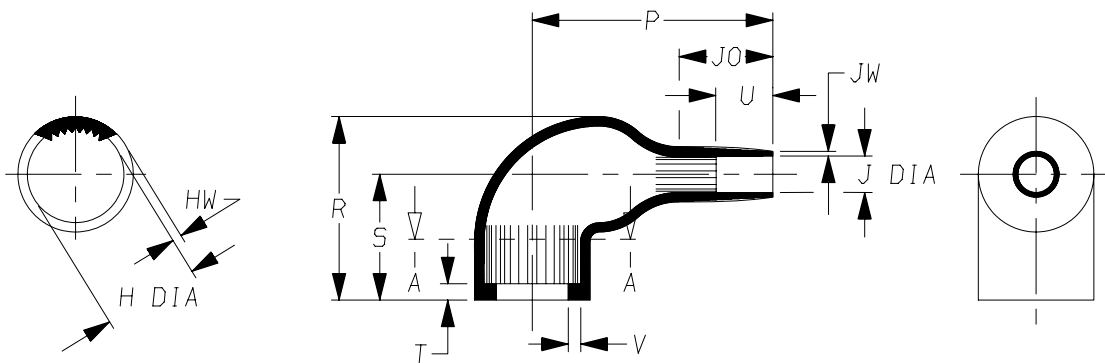


a) Part as supplied

222S1**-100S



b) Part as supplied



SCRAP SECTION A-A

DIMENSIONS in millimetres
(in inches, for reference)

Part No.	H		J		P Ref	R ±10%	S Ref	T Ref	U		V Ref	JO Ref	X ±5%	HW ±30%	JW ±30%
	Min a	Max b	Min a	Max b					Min a	±20% b					
222S121-100S	14 {0.55}	10.4 {0.41}	10 {0.39}	5.0 {0.20}	30 {1.18}	25 {0.98}	19 {0.75}	3.0 {0.12}	5.0 {0.20}	10 {0.39}	1.0 {0.04}	15 {0.59}	47 {1.85}	1.5 {0.06}	1.0 {0.04}
222S132-100S	20 {0.79}	14.2 {0.56}	12 {0.47}	6.0 {0.24}	38 {1.50}	28 {1.10}	20 {0.79}	3.0 {0.12}	5.0 {0.20}	10 {0.39}	1.0 {0.04}	17 {0.67}	57 {2.24}	1.5 {0.06}	1.0 {0.04}
222S142-100S	26 {1.02}	18.0 {0.71}	14 {0.55}	7.2 {0.28}	42 {1.65}	31 {1.22}	21 {0.83}	3.0 {0.12}	6.0 {0.24}	10 {0.39}	1.0 {0.04}	18 {0.71}	64 {2.52}	2.0 {0.08}	1.0 {0.04}
222S152-100S	31 {1.22}	22.4 {0.88}	20 {0.79}	8.5 {0.33}	51 {2.01}	38 {1.50}	26 {1.02}	3.0 {0.12}	7.0 {0.28}	12 {0.47}	1.0 {0.04}	20 {0.79}	76 {2.99}	2.0 {0.08}	1.0 {0.04}
222S163-100S	38 {1.50}	28.2 {1.11}	24 {0.94}	10.0 {0.39}	67 {2.64}	45 {1.77}	30 {1.18}	3.0 {0.12}	12 {0.47}	20 {0.79}	1.7 {0.07}	28 {1.10}	92 {3.62}	2.2 {0.09}	1.5 {0.06}
222S174-100S	41 {1.61}	35.1 {1.38}	32 {1.26}	15.8 {0.62}	80 {3.15}	54 {2.13}	36 {1.42}	3.0 {0.12}	12 {0.47}	20 {0.79}	1.7 {0.07}	31 {1.22}	111 {4.37}	3.0 {0.12}	1.5 {0.06}

Copyright (!)

The copyright in this drawing is the property of Tyco Electronics UK Ltd. The drawing is issued on the condition that it is not copied, reproduced or disclosed to a third party, either in whole or in part without the prior written consent of Tyco Electronics UK Ltd.

Drawn A.LILLEY. Checked

Issue 5

Date March 2008

Conforms to ISO Recommendations

Approval

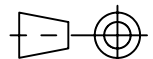
3rd Angle Projection

Design

MKTG.

Tech.

Not to Scale



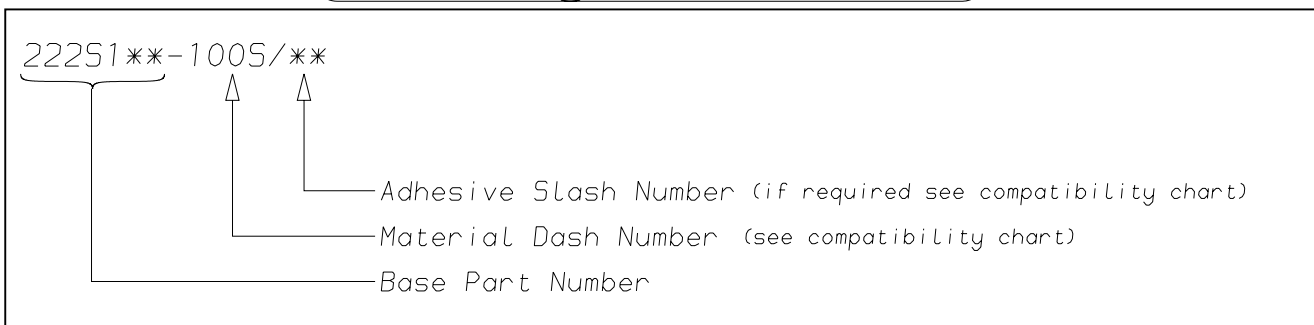
Specification
Control Drawing

Part Number

Issue 5

Iss.	Date	E.C.R. No.	Details of Change
3	June 1988	4668	Xa changed
4	December 2006	CR06-HM-012	Imperial dimensions added
5	March 2008	CR08-HM-005	Note 2 (RW spec) added

(Ordering Information)



(COMPATIBILITY CHART)

Material Dash Number	Material Description	SPEC Number	Coating Slash Number
-1005	ZEROHALOGEN/COPPER COMPOSITE	RW-2078	/86

NOTES

- ① As supplied dimensions are for uncoated parts, when coating is added entry diameters will reduce by 1.5mm Max.
- ② For method of measuring recovered diameter, see appropriate RW specification (SPEC Number), section 2.2,