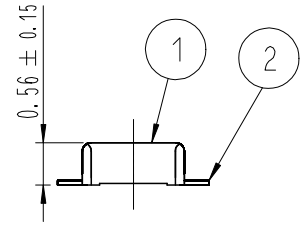
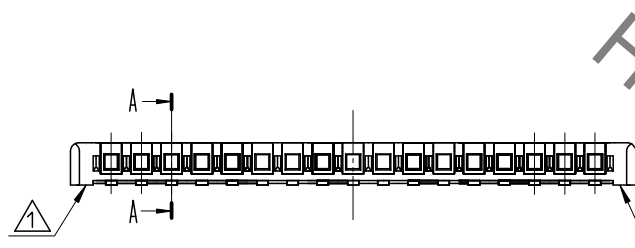
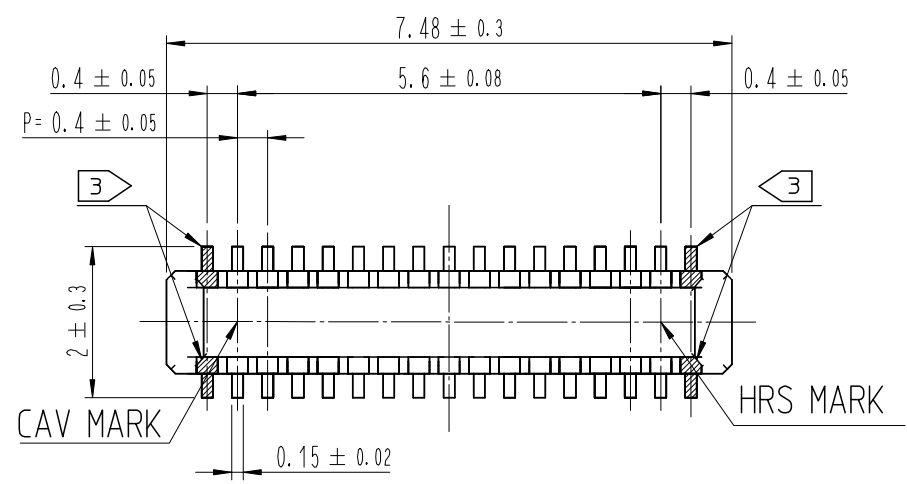
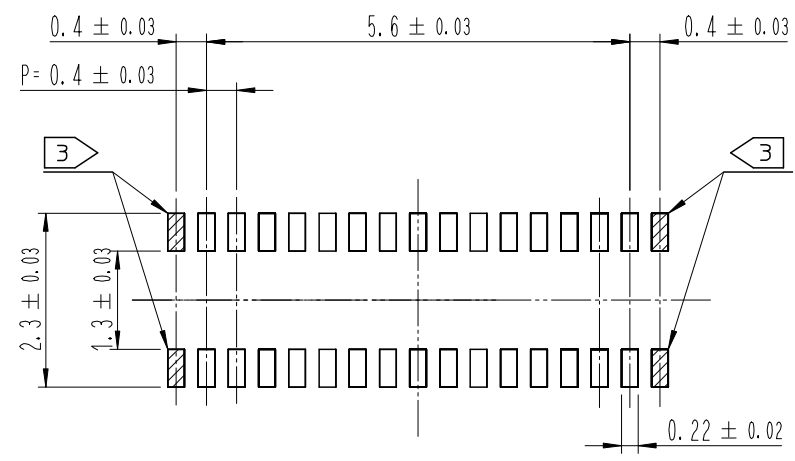


May.1.2023 Copyright 2023 HIROSE ELECTRIC CO., LTD. All Rights Reserved.
In case of consideration for using Automotive equipment / device which demand high reliability, kindly contact our sales window correspondents.

COUNT	DESCRIPTION OF REVISIONS	B	Y	CHKD	DATE	COUNT	DESCRIPTION OF REVISIONS	B	Y	CHKD	DATE
2	RE-6-0807	J.S.H	J.H.W		17. 05. 25						

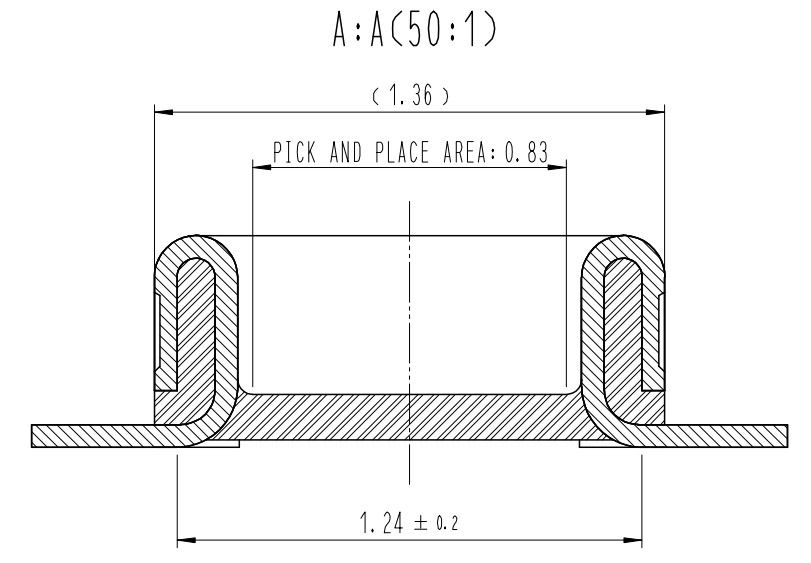


4 RECOMMENDED PATTERN

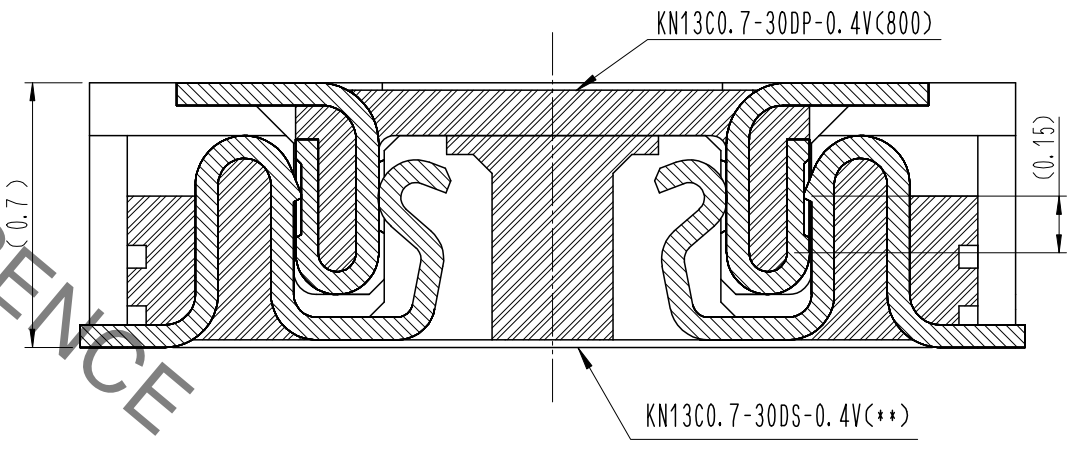


4 RECOMMENDED SOLDER PASTE: THICKNESS 100 μm

DRAWING FOR REFERENCE
This is subject to change without notice



ENGAGEMENT FIGURE (50:1)



- NOTE
- 1. ALL LEAD CO-PLANARITY SHALL BE 0.08mm MAX.
 - 2. CONTACT PLATING SPECIFICATIONS.
CONTACT AREA : GOLD 0.05 μm MIN.
SMT LEAD : GOLD 0.05 μm MIN.
UNDER PLATING : NICKEL 1 μm MIN.
(SURFACE : SEALING)
 - 3. EACH CONTACTS 4 CORNERS ARE PROVIDED FOR METAL FITTINGS.
(NOT FOR ELECTRICAL CONNECTION)
 - 4. PLEASE CONTACT US IN CASE YOU WILL MAKE DIFFERENT SETTINGS FROM OUR RECOMMENDATION.

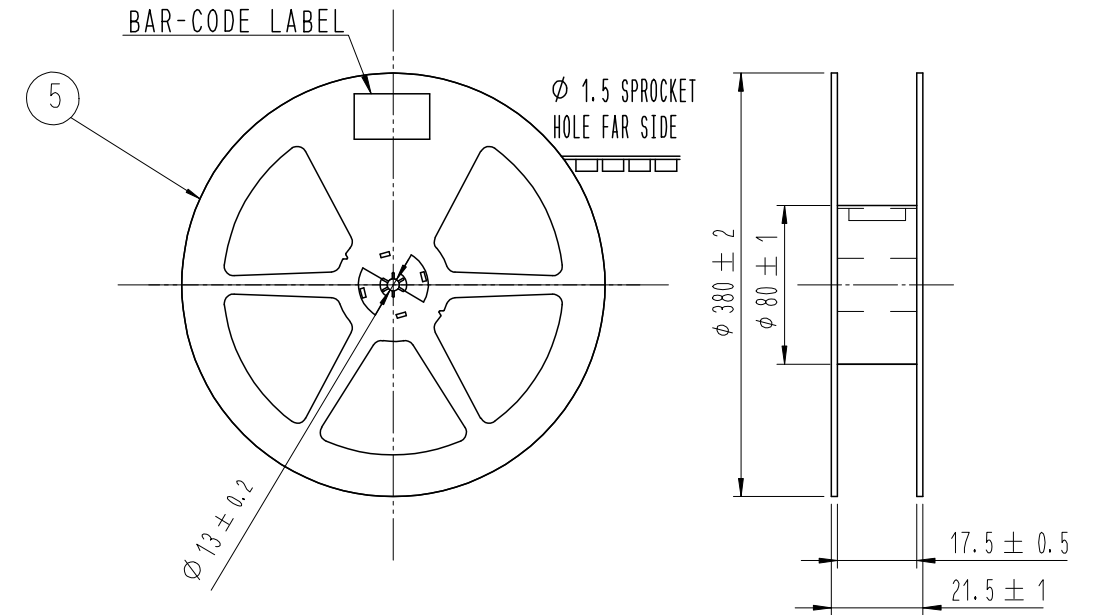
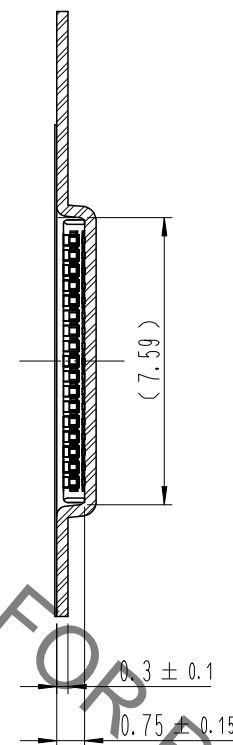
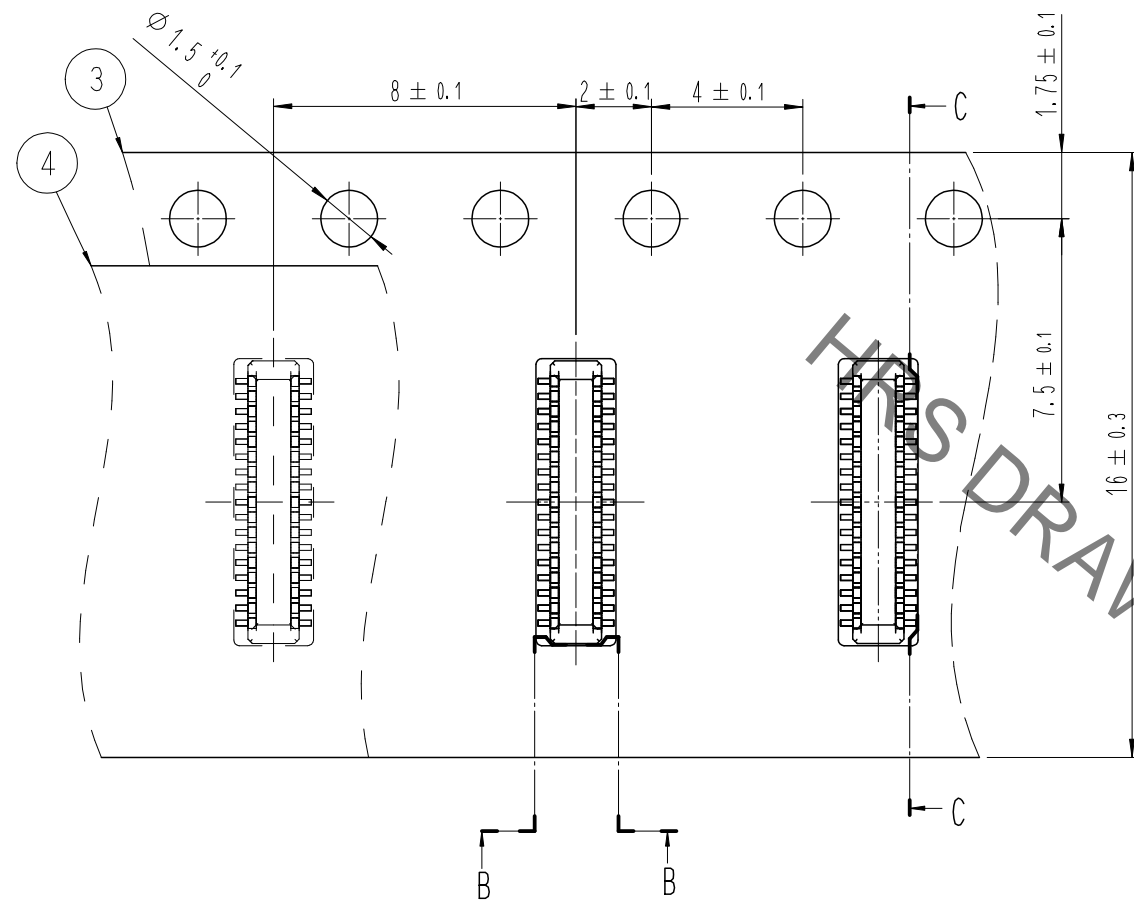
3	PS	CLEAR (EMBOSSED CARRIER TAPE)			
2	COPPER ALLOY	2	5	PS	BLACK (PLASTIC REEL)
1	LCP	UL94 V-0, BLACK	4	POLYESTER	CLEAR (COVER TAPE)
NO.	MATERIAL	FINISH, REMARKS	NO.	MATERIAL	FINISH, REMARKS
REMARKS			DRAWN	DESIGNED	CHECKED
			S. H. JUNG	S. H. JUNG	H. W. JO
			16. 11. 30	16. 11. 30	16. 11. 30
			APPROVED	RELEASED	
			T. S. KANG	17. 05. 25	
			16. 11. 30		
CODE NO. (OLD)	DRAWING NO. EDC3-*****		PART NO. KN13CO.7-30DP-0.4V(800)		
SCALE 10:1	HRS HIROSE KOREA CO., LTD.		CODE NO. CL 66**-*****-800		1/2
UNITS mm					

May.1.2023 Copyright 2023 HIROSE ELECTRIC CO., LTD. All Rights Reserved.
In case of consideration for using Automotive equipment / device which demand high reliability, kindly contact our sales window correspondents.

EMBOSED CARRIER TAPE PACKAGING (5:1)

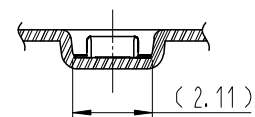
C-C (5:1)

STYLE AND DIMENSION OF REEL (FREE)



B-B (5:1)

DIRECTION OF UNREELING

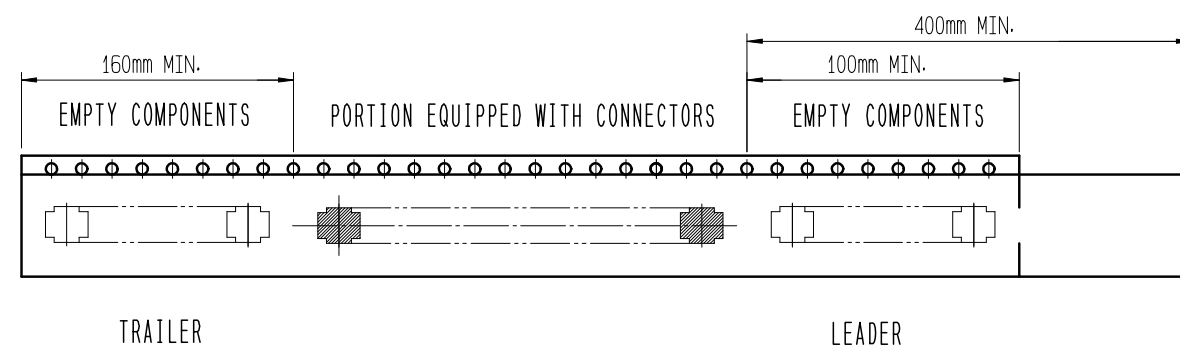


DETAIL OF PART NO. LABEL

LOT NO.	*****-**-****
CL NO.	CL ***-****-***
PRODUCT	PART NO KN13C0.7-30DP-0.4V(800)
QUANTITY	Q'TY 8,000 PCS
SUPPLIER	HIROSE KOREA CO., Ltd.

RoHS H/F [®]

TAPING(FREE)



- 5 . PER REEL 8,000 CONNECTORS.
- 6 . THE DIMENSIONS IN PARENTHESES ARE FOR REFERENCE.
- 7 REFER TO JIS C 0806, IEC-60286-3 (PACKAGING OF COMPONENTS FOR AUTOMATIC HANDLING)

SCALE 10:1 UNITS mm	DRAWING NO. EDC3-*****	PART NO. KN13C0.7-30DP-0.4V(800)	2/2
	HIROSE KOREA CO., LTD.		