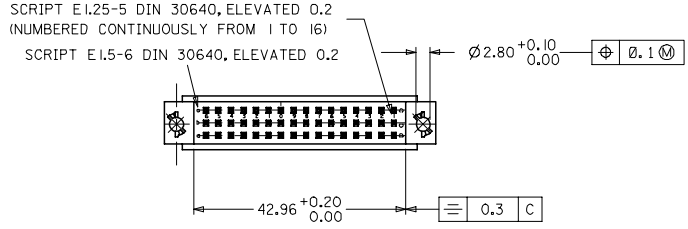
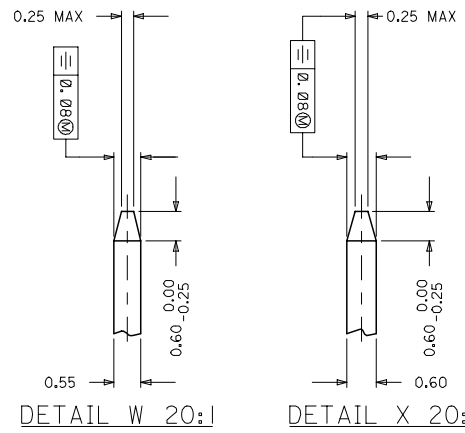
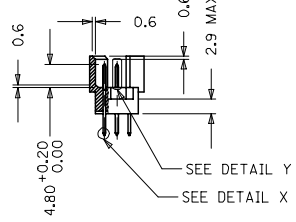
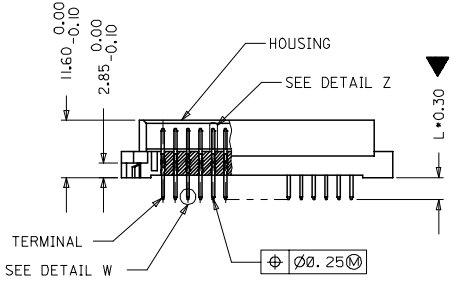
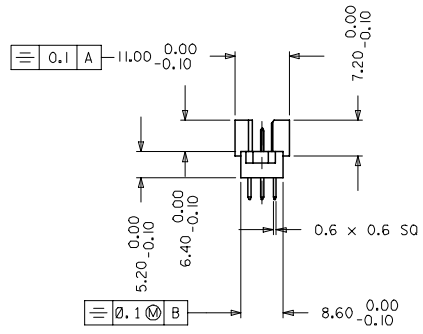
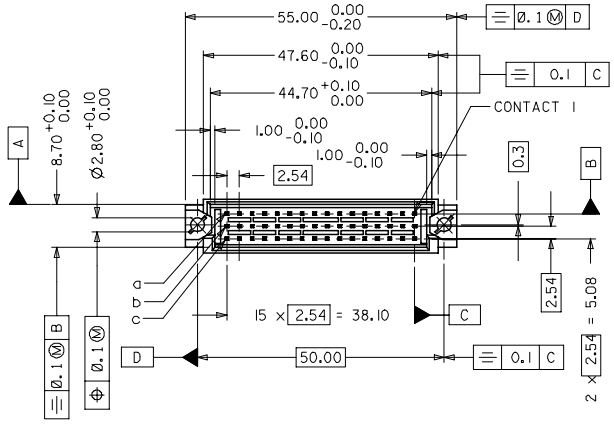


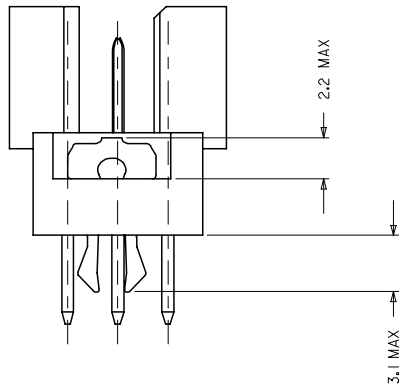
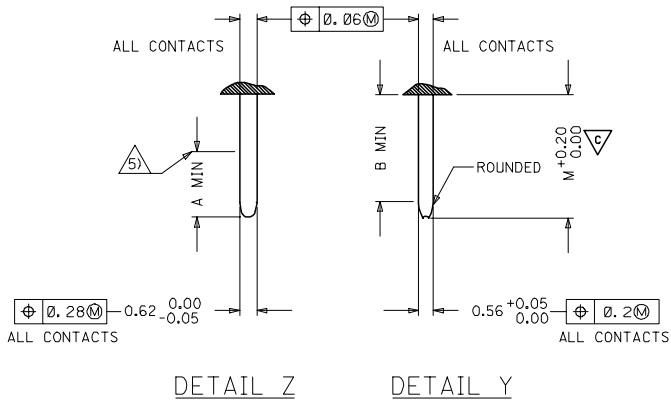
- NOTES:
 1. MATERIAL NUMBER, BATCH CODE, UL CSA MARKING TO BE PRINTED ON THE CONNECTOR AS PER E-36502-005
 2. PRODUCT SPECIFICATION PS:85013-001
 3. PACKING SPECIFICATION PK: 36512-001
 4. CUT FACES OF TIP WITHOUT PLATING IS PERMITTED
 5. REFERENCE AREA OF PLATING
 6. GAUGE DRAWING REFER E-36500-100



EC NO. 12005-0092 DRAWN BY DRWNSHIVASHA CHKD BY CHAKRAPASAI APPR. BY SUDHIR	QUALITY SYMBOLS ▽=1 ▽=0	GENERAL TOLERANCES (UNLESS SPECIFIED)		DIMENSION STYLE		SCALE	DESIGN UNITS	THIRD ANGLE PROJECTION
		mm	INCH	MM ONLY		2:1	METRIC	
REVISIONS 1 2 3 4	DESCRIPTION	4 PLACES ±	±	DRAWN BY NS	DATE 2004/03/31	TITLE 48 POS. MALE CONNECTOR ACC. DIN 41612 STYLE R/2 CONTACTS		
		3 PLACES ±0.005	±	CHECKED BY GJLOWE	DATE 2004/03/31	MOLEX INCORPORATED		
		2 PLACES ±0.05	±	APPROVED BY GJLOWE	DATE 2004/03/31	MATERIAL NO. E-85013-0002		
		1 PLACE ±0.1	±	DRAFT WHERE APPLICABLE MUST REMAIN WITHIN DIMENSIONS		SEE CHART	SHEET NO. 1 OF 2	

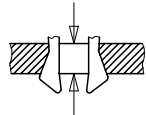
PRE MATING CONTACTS	5.4	4.1	4.8
NORMAL CONTACTS	4.8	3.5	4.2
	M	A	B

MALE CONNECTOR WITH MOUNTING CLIPS



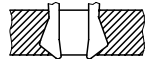
CLIPS SNAP UNDER
PC - BOARD OF
1.5 to 1.8 mm
Fm < 60N
Fr >= 20N
Fr >= 200N, WHEN
SOLDERED IN
PLATED - THROUGH
FIXING HOLES

Fm = MOUNTING FORCE
(FOR ONE CONNECTOR = 2 CLIPS)



FR = RETENTION FORCE
(FOR ONE CONNECTOR = 2 CLIPS)

CLIPS STICK IN
FIXING HOLE OF
PC - BOARDS
OVER 1.8 mm
Fm < 60N
FR >= 16N



IEC NO. 12005-0092 DRAWN BY DR. NISHIYASHA CHECKED BY CH. KR. PRASAD APPROVED BY APPR: SUDHIR	QUALITY SYMBOLS	GENERAL TOLERANCES (UNLESS SPECIFIED)	DIMENSION STYLE	SCALE	DESIGN UNITS	THIRD ANGLE PROJECTION															
	$\nabla=0$ $\nabla=1$	<table border="1"> <tr> <th></th> <th>mm</th> <th>INCH</th> </tr> <tr> <td>4 PLACES</td> <td>±---</td> <td>±---</td> </tr> <tr> <td>3 PLACES</td> <td>±0.005</td> <td>±---</td> </tr> <tr> <td>2 PLACES</td> <td>±0.05</td> <td>±---</td> </tr> <tr> <td>1 PLACE</td> <td>±0.1</td> <td>±---</td> </tr> </table>		mm	INCH	4 PLACES	±---	±---	3 PLACES	±0.005	±---	2 PLACES	±0.05	±---	1 PLACE	±0.1	±---	MM ONLY	2:1	METRIC	
		mm	INCH																		
	4 PLACES	±---	±---																		
3 PLACES	±0.005	±---																			
2 PLACES	±0.05	±---																			
1 PLACE	±0.1	±---																			
DESCRIPTION	DRAWN BY DATE	CHECKED BY DATE	TITLE	48 POS. MALE CONNECTOR ACC. DIN 41612 STYLE R/2 CONTACTS MOLEX INCORPORATED																	
	2004/11/23	G. J. LOWE 2004/03/31	2004/11/23																		
REV	MATERIAL NO.	APPROVED BY DATE	DOCUMENT NO.	SHEET NO.																	
		G. J. LOWE 2004/03/31	E-85013-0002	2 OF 2																	
DRAFT WHERE APPLICABLE MUST REMAIN WITHIN DIMENSIONS		SEE CHART		THIS DRAWING CONTAINS INFORMATION THAT IS PROPRIETARY TO MOLEX INCORPORATED AND SHOULD NOT BE USED WITHOUT WRITTEN PERMISSION																	

20 19 18 17 16 15 14 13 12 11 9 8 7 6 5 4 3 2 1

VIEW ON MATING SIDE

○	A	A	A	A	A	A	A	A	A	A	A	A	A	A	A	A	A
△	A	A	A	A	A	A	A	A	A	A	A	A	A	A	A	A	A
○	A	A	A	A	A	A	A	A	A	A	A	A	A	A	A	A	A
	-	2	3	4	5	6	7	8	9	10	=	12	13	14	15	16	

A = 48 STANDARD CONTACTS L = 13.3

MARKING	STANDARD
PERFORMANCE LEVEL	G2/0 = CONTACT AREA LEVEL2 / TERMINATION TIN
FLUX PROOF	NO
FIXING CLIP	NO
DIMENSIONS	SD-85013-0002 SHT 1

A	G2/0	a1-16 b1-16 c1-16
CONTACT SYMBOL	PERFORMANCE LEVEL	CONTACT POSITION NUMBER

EC NO. I 2002-XXXX DRAWN: S 31/03/04 CHK: G.L. 31/03/04 APPR: L.L. 31/03/04	QUALITY SYMBOLS	GENERAL TOLERANCES: (UNLESS SPECIFIED)	SCALE	DESIGN UNITS	DIMENSIONS:	SHT	REV		
	MAJOR			<input checked="" type="checkbox"/> MM <input type="checkbox"/> INCH	<input type="checkbox"/> MM INCH <input type="checkbox"/> INCH <input checked="" type="checkbox"/> INCH ONLY				
	CRITICAL								
B	REV	DESCRIPTION	DRAWN BY & DATE	CHECKED BY & DATE	APPROVED BY & DATE	CAD FILENAME	MATERIAL NO.	DRAWING NO.	SHEET NO.
			N.S. 07/02/02	G.L. 07/02/02	G.L. 07/02/02	S850132036.S01	85013-2036	SD-85013-2036	1 OF 1
DRAFT WHERE APPLICABLE MUST REMAIN WITHIN DIMENSIONS			THIS DRAWING CONTAINS INFORMATION THAT IS PROPRIETARY TO MOLEX INCORPORATED AND SHOULD NOT BE USED WITHOUT WRITTEN PERMISSION.						
			TITLE: 48 POS MALE CONNECTOR ACCORDING DIN 41612 STYLE R/2 CONTACTS ARRANGEMENT MOLEX INCORPORATED						

19 18 17 16 15 14 13 12 11 10 9 8 7 6 5 4 3 2 1

