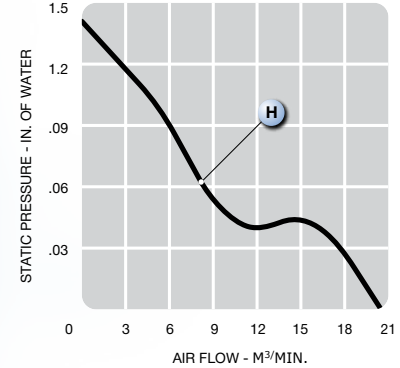
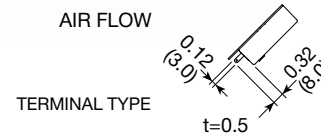
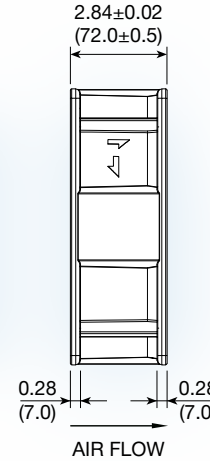
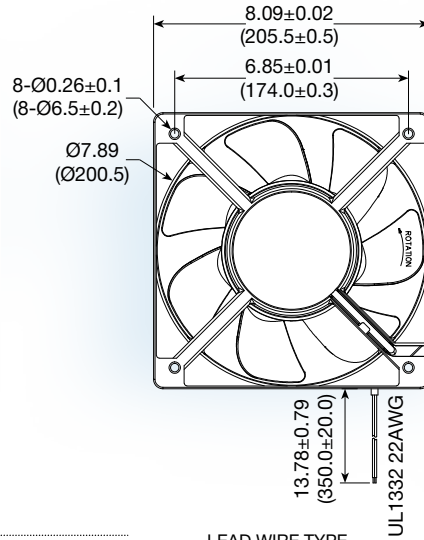


UF20TC series



(205 x 205 x 72 mm)

8.07 x 8.07 x 2.84 inches

Operating Voltage: 115 or 230 VAC

Construction: aluminium die cast frame;
plastic 94V-0 PC impeller

Bearing option: ball bearing

Motor: permanent split capacitor

Air Flow: air exhaust over struts

Connection: terminal or 22 AWG lead wire

Model No.	Rated Voltage V	Freq. HZ	Input Power W	Rated Cur. A	Locked Cur. A	Speed RPM	Air Volume		Max. Sta tic Pressure (H ₂ O)		Sound Noise dBa	Wt . g
							M ³ /Min.	CFM	MM	INCH		
UF20TC12B_H	115	60	126	1.1	2.5	3,350	20.11	710	36.8	1.45	72	2400
UF20TC23B_H	230	60	126	0.52	1.3	3,350	20.11	710	36.8	1.45	73	2400

