

6 5 4 3 2 1

E

D

C

B

A

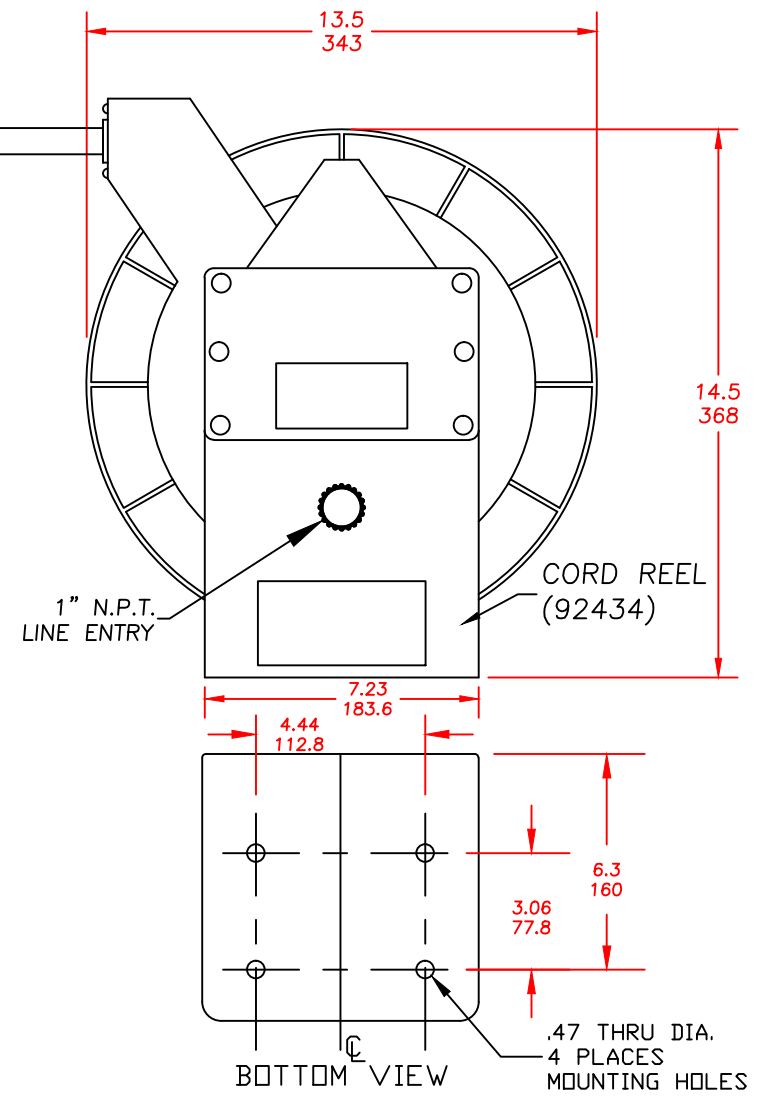
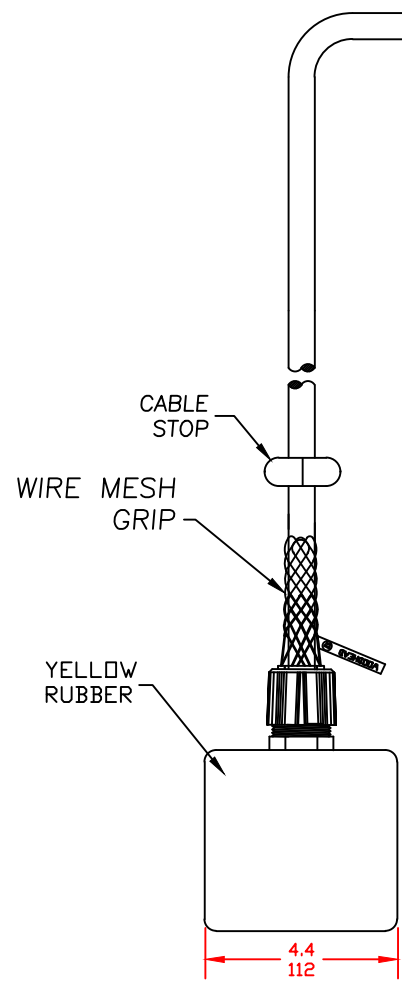
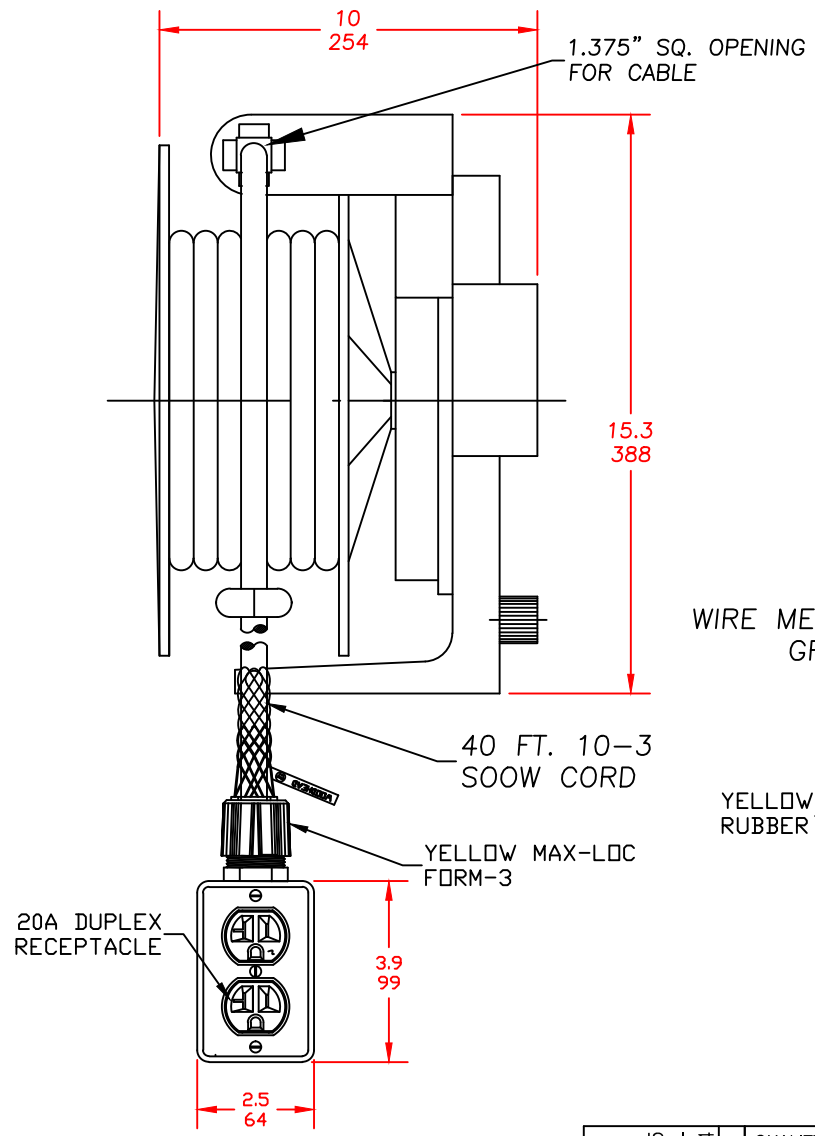
E

D

C

B

A



CUSTOMER APPROVAL EC NO: WNA2012-0184 DRWN: HKNEELAN 2011/10/05 CHKD: HKNEELAN APPR: DTITUS 2011/10/14	QUALITY SYMBOLS $\nabla=0$ $\sphericalangle=0$	GENERAL TOLERANCES (UNLESS SPECIFIED)		DIMENSION STYLE IN/MM	SCALE NTS	DESIGN UNITS INCH	THIRD ANGLE PROJECTION
		4 PLACES $\pm$ --- $\pm$ --- 3 PLACES $\pm$ --- $\pm$ .005 2 PLACES $\pm$ 0.13 $\pm$ .010 1 PLACE $\pm$ 0.25 $\pm$ .020	mm INCH	DRAWN BY DATE HKNEELAN 2011/10/05	TITLE 92434 CORD REEL 40' 10-3 SOOW CORD W/3085-10 OUTLET BOX		
		ANGULAR $\pm$ 1/2°		CHECKED BY DATE HKNEELAN 2008/08/06	MOLEX INCORPORATED		
		DRAFT WHERE APPLICABLE MUST REMAIN WITHIN DIMENSIONS		APPROVED BY DATE DTITUS 2011/10/14	MATERIAL NO. 1300830907	DOCUMENT NO. SD-130083-041	SHEET NO. 1 OF 1

6 5 4 3 2 1

THIS DRAWING CONTAINS INFORMATION THAT IS PROPRIETARY TO MOLEX INCORPORATED AND SHOULD NOT BE USED WITHOUT WRITTEN PERMISSION