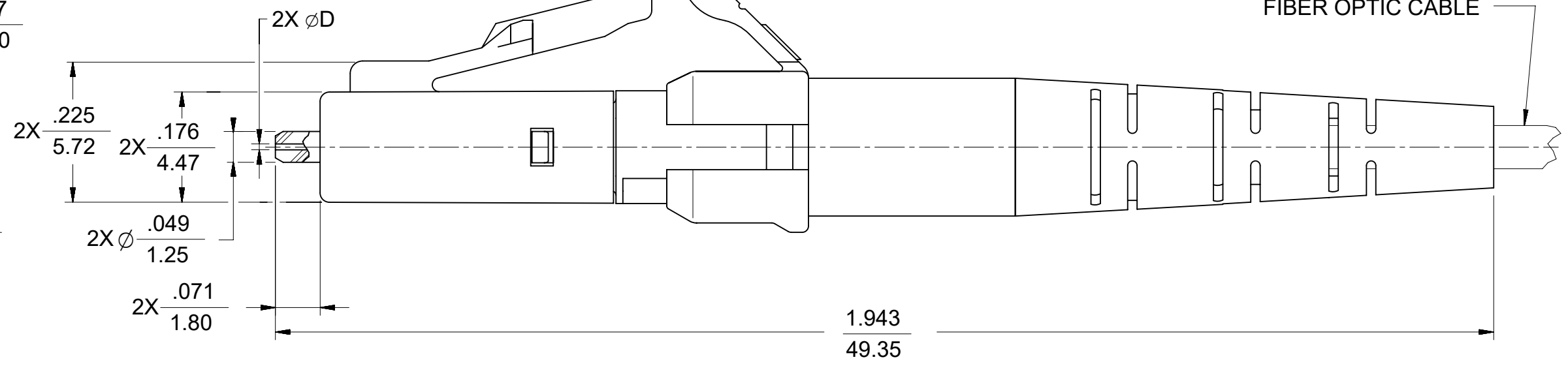
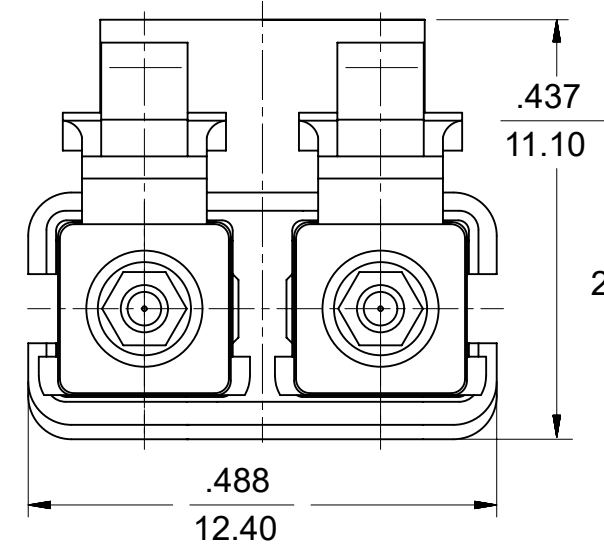


BOOTS

DUPLEX CLIP

FIBER OPTIC CABLE

(DUST CAPS NOT SHOWN)



NOTES:

- 1. DUPLEX CLIP AND BOOTS SHOULD BE ASSEMBLED AFTER POLISHING OPERATION.
- \*2. P/N 106025-3320 AND 106025-5320 ARE BULK PACKED IN QUANTITIES OF 100 PCS.

THIS DRAWING CONTAINS INFORMATION THAT IS PROPRIETARY TO MOLEX ELECTRONIC TECHNOLOGIES, LLC AND SHOULD NOT BE USED WITHOUT WRITTEN PERMISSION											
DIMENSION UNITS <b>IN/MM</b>		SCALE <b>5:1</b>		CURRENT REV DESC: OBSOLETE PART NUMBER AS PER PCN#508521				<b>molex</b>		LC DUPLEX CONNECTOR	
GENERAL TOLERANCES (UNLESS SPECIFIED)		MM	INCH	EC NO: 667392 DRWN: ABHISP1 CHK'D: GGA APPR: GGA							
4 PLACES	±			2021/04/20				PRODUCT CUSTOMER DRAWING			
3 PLACES	±			2021/07/05				DOCUMENT NUMBER			
2 PLACES	±			2021/07/05				SD-1060DD-DDD0			
1 PLACE	±			INITIAL REVISION:				DOC TYPE			
0 PLACES	±			DRWN: PGIBLIN				PSD			
ANGULAR TOL		± 0.5°		2005/09/06				DOC PART			
DRAFT WHERE APPLICABLE MUST REMAIN WITHIN DIMENSIONS		THIRD ANGLE PROJECTION		DRAWING		SERIES		MATERIAL NUMBER		CUSTOMER	
		B-SIZE		106025		SEE TABLE		GENERAL MARKET		REVISION	
										SHEET NUMBER	
										1 OF 2	

6	5	4	3	2	1
CONNECTOR P/N	∅D (µm)	CONNECTOR BODY COLOR	BOOT COLOR	CABLE DESCRIPTION & ∅ (mm)	CABLE TYPE
106025-2000	125.50	BLUE	WHITE	SIMPLEX 1.6	SINGLE MODE
106025-2300			BLACK	SIMPLEX 2.0 ZIPCORD 1.6	
106025-2310					
106025-3000	127.00	BEIGE	WHITE	SIMPLEX 1.6	MULTIMODE
106025-3300				SIMPLEX 2.0 ZIPCORD 1.6	
106025-3320*					
106025-4000	125.00	BLUE	WHITE	SIMPLEX 1.6	SINGLE MODE
106025-4300				SIMPLEX 2.0 ZIPCORD 1.6	
106025-5000	126.00			SIMPLEX 1.6	
106025-5300				SIMPLEX 2.0 ZIPCORD 1.6	
106025-5320*					
106025-6000	125.25	WHITE	SIMPLEX 1.6		
106025-6300			SIMPLEX 2.0 ZIPCORD 1.6		

THIS DRAWING CONTAINS INFORMATION THAT IS PROPRIETARY TO MOLEX ELECTRONIC TECHNOLOGIES, LLC AND SHOULD NOT BE USED WITHOUT WRITTEN PERMISSION

DIMENSION UNITS <b>IN/MM</b>	SCALE <b>5:1</b>	CURRENT REV DESC: OBSOLETE PART NUMBER AS PER PCN#508521		<b>molex</b>		
GENERAL TOLERANCES (UNLESS SPECIFIED)		EC NO: 667392				
	MM	INCH	DRWN: ABHISP1	PRODUCT CUSTOMER DRAWING		
4 PLACES	±	±	2021/04/20			
3 PLACES	±	±	2021/07/05	DOC TYPE PSD	DOC PART 001	REVISION C
2 PLACES	±	±	CHK'D: GGA	MATERIAL NUMBER SEE TABLE		
1 PLACE	±	±	APPR: GGA			
0 PLACES	±	±	2021/07/05	SHEET NUMBER 2 OF 2		
ANGULAR TOL	±	0.5°	INITIAL REVISION: DRWN: PGIBLIN			
DRAFT WHERE APPLICABLE MUST REMAIN WITHIN DIMENSIONS			APPR:	SERIES <b>106025</b>		

DOCUMENT STATUS | P1 | RELEASE DATE | 2021/07/05 | 08:39:14