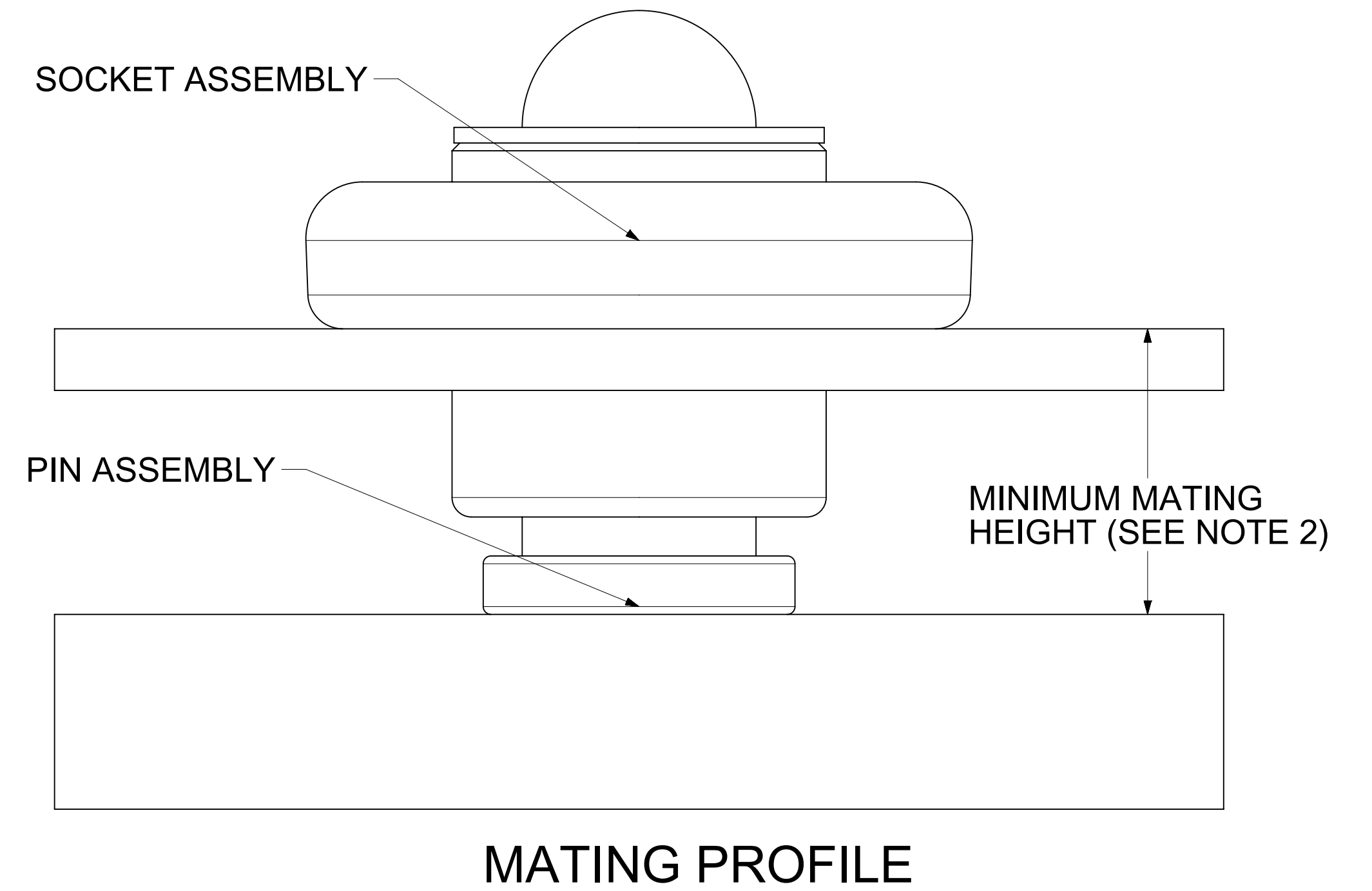


PICK AND PLACE CAP SHOWN



NOTES:

1. MATERIALS:
RETENTION CAP: STAINLESS STEEL
PICK AND PLACE CAP: LCP UL94, V-0 COLOR BLACK
BASE METAL: HIGH CONDUCTIVE COPPER ALLOY
PLATING ON CONTACTS: 0.75 MICRON MIN GOLD OVER 1.27 MICRON MIN NICKEL
PLATING ON BODY: 3.18 MICRON MIN SILVER OVER 1.27 MICRON MIN NICKEL
2. MATES WITH STANDARD PIN DRAWINGS (MATING DISTANCE BASED ON 1.58MM BOARD THICKNESS):
i. 6.0MM SMT DRAWING 2032630136-SD, MIN. MATING DISTANCE 6.00MM
ii. 6.0MM PRESS FIT DRAWING 2032630006-SD, MIN. MATING DISTANCE 5.75MM
iii. 6.0MM SCREW MOUNT DRAWING 2032636185-SD, MIN. MATING DISTANCE 8.80MM
3. PRODUCT SPECIFICATION: 2043130006-PS
4. APPLICATION SPECIFICATION: 2043130006-AS
SEE APPLICATION SPEC FOR SOLDERING INFORMATION.
5. PACKAGING SPECIFICATION: 2043650006-PK
6. SILVER COMPONENTS WILL BE SUPPLIED TARNISH FREE BUT MAY TARNISH OVER TIME.
7. PICK AND PLACE CAP TO BE REMOVED AFTER SOLDERING.
CAP TO BE PUSHED OUT OF BOTTOM FROM THE TOP.
8. DATE CODE TO BE LASER MARKED APPROXIMATELY WHERE SHOWN USING DDYY FORMAT

THIS DRAWING CONTAINS INFORMATION THAT IS PROPRIETARY TO MOLEX ELECTRONIC TECHNOLOGIES, LLC AND SHOULD NOT BE USED WITHOUT WRITTEN PERMISSION									
DIMENSION UNITS	SCALE	CURRENT REV DESC: UPDATED THE TITLE BLOCK							
mm	NTS	molex							
GENERAL TOLERANCES (UNLESS SPECIFIED)		6.0MM CENTRALITY BOTTOM ENTRY SMT SOCKET WITH FLOAT IN TRAY							
ANGULAR TOL	± 0.5°	PRODUCT CUSTOMER DRAWING							
4 PLACES	±	EC NO: 730607		DRWN: SOURAJ		2022/11/30		DOCUMENT NUMBER	
3 PLACES	±	CHK'D: GSHARMA		2022/12/08		2043650026-SD		DOC TYPE	DOC PART
2 PLACES	± 0.15	APPR: HTHYAGARAJ		2022/12/14		PSD		000	REVISION
1 PLACE	± 0.25	INITIAL REVISION:		DRWN: RLOW		2019/12/27		C3	
0 PLACES	±	APPR: BPISZCZOR		2020/06/10		MATERIAL NUMBER		CUSTOMER	
DRAFT WHERE APPLICABLE MUST REMAIN WITHIN DIMENSIONS		THIRD ANGLE PROJECTION		DRAWING		SERIES		SHEET NUMBER	
				D-SIZE		204365		1 OF 1	